

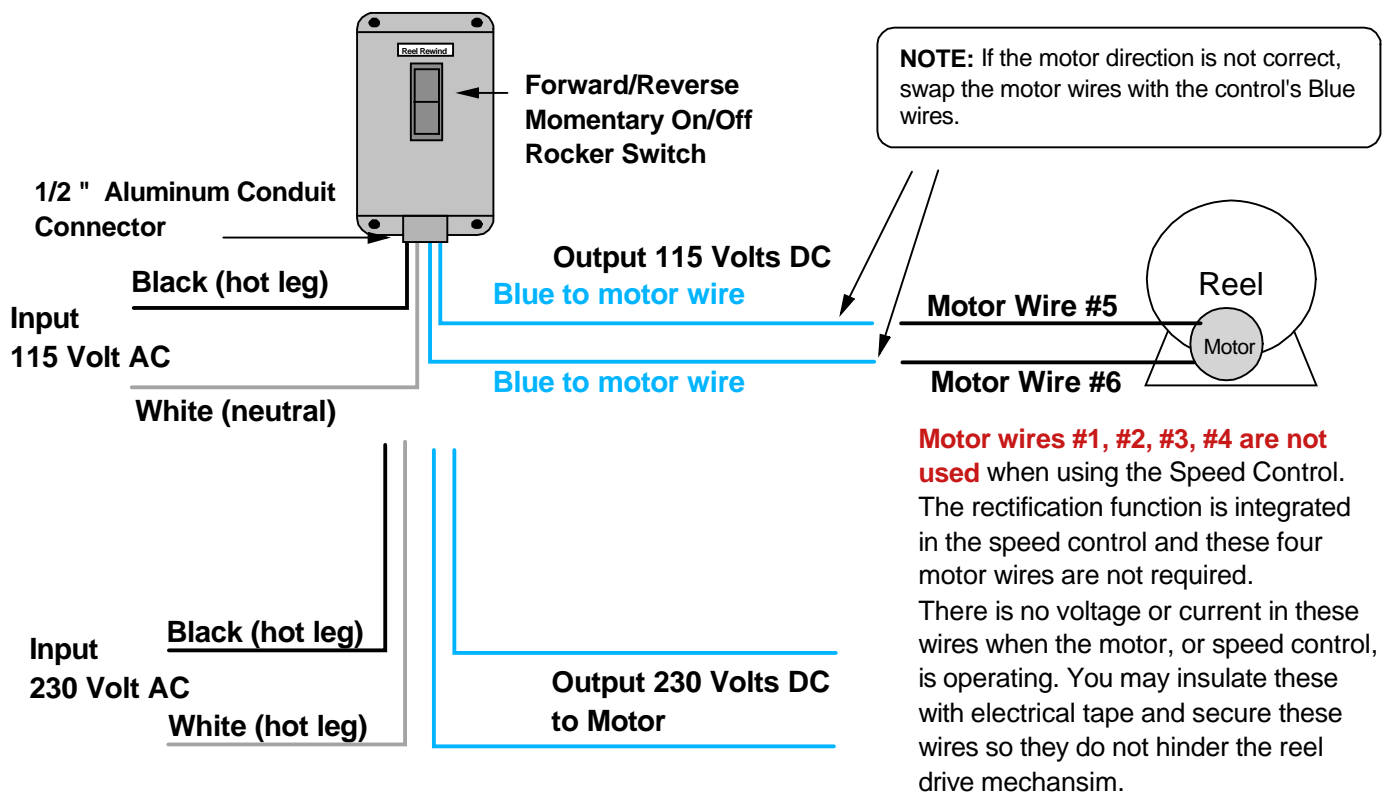
SB115SR Installation Instructions

Application:

The **SB115SR** performs the Power On/Off switching function to the reel motor and with a motor direction switch. It is specifically designed for a 115V or 230V Universal (AC to DC Rectified Motor). The SB115SR contains an internal AC to DC rectifier and replaces the rectifier in the motor. Thus only motor wires #5 and #6 need to be connected. The rectifier motor wires #1, #2, #3, and #4 are not used. See wiring instructions.

Mounting: Screw holes in the enclosure flanges or drill your own holes in the flanges.

Wiring Instructions



Circuit Protection - The installer must provide the 12 AWG, 2 conductor feed line and it must be on its own circuit, protected by a 15 Amp circuit breaker in the electrical service panel. Do not use a ground fault breaker for the motor controller circuit protection.

Warranty:

The SB115SR is warranted by the manufacturer to be defect free from faulty materials or workmanship. If any defect is found within the 90 Days Warranty period, the control must be shipped to Qualitech for analysis and repair, without charge for materials and labor. If it is determined that the control was not wired per these wiring instructions, taken apart, or the tamper proof label altered, a repair quote will be provided. After the 90 Day Warranty, the customer may send the unit in for a repair quote.