

# SB115ACR Instructions

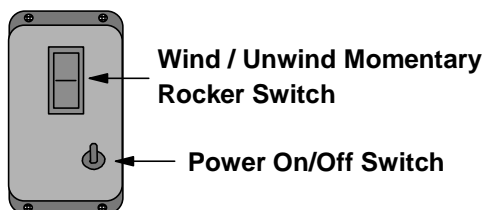
## Application: 115 VAC only; not 230 VAC applications

The **SB115ACR** is a motor control specifically for the 115 VAC Baldor KB L3406 motor with an internal Brake. The SB115ACR and the KBL3406 Baldor motor is for 115 VAC only and cannot be used for 230 VAC applications. The SB115ACR contains auto shutdown circuitry to accept inputs from the Photosensor when the hose, or cable, is wrapped with reflective tape at the desired Wind and Unwind stop points. Only use the Retroreflective Banner Photosensor P/N: S18AW3L.

**Operation:** Press Wind, on the rocker switch, and the reel will wind. When the reflective tape passes the photosensor, the reel will immediately stop. The control will not allow the reel to Wind further even though the Wind button is being pressed. Pressing the Unwind button will unwind the reel and allow the reflective tape to pass. The Wind button will function after the Unwind has been pressed. The auto shutoff operation is the same for Unwind. After auto shutoff, the Wind button must be pressed to allow the Unwind function to work.

## Mounting:

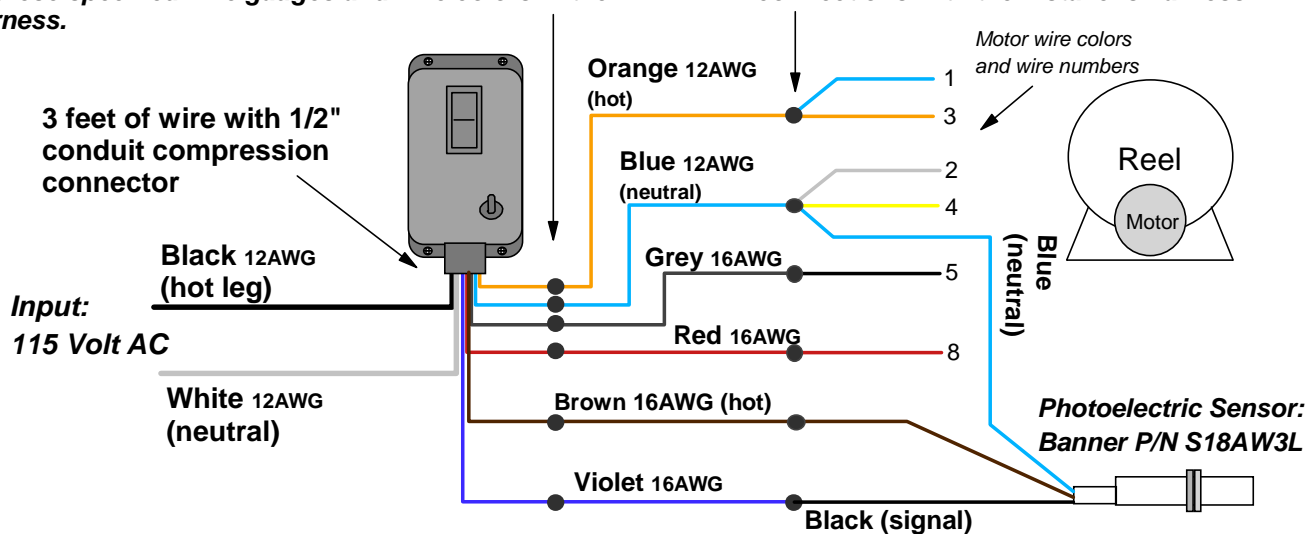
Top and bottom flanges are provided with two screw holes in each flange.



## Wiring Instructions

The installer must make these wire connections inside a junction box, with the wires strung thru conduit. One junction box near the control and one junction box near the motor. The installer provides the harness and must adhere to these specified wire gauges and wire colors in the harness.

Make these wire connections inside the motor's junction box. The installer must string the six control wires thru conduit to an adjacent junction box to make connections with the installer's harness.



**NOTE:** If the motor direction is not correct pertaining to the speed control's Wind/Unwind switch, then swap the Grey and Red wires in your junction box near the controller. These are your motor direction wires. (ie: connect the controller's grey wire with your harnesses red wire and connect the controller's red wire to your grey harness wire). Do not swap the Orange and Blue wires to change motor direction.

NOTE: Use 12-3 wiring for the power feed and protect the Control's Black (hot) with a 15 Amp Circuit Breaker in the electrical service panel. Use a **junction box** to make all power, accessory, and motor connections.

## Warranty

The SB115ACR is warranted by the manufacturer to be defect free from faulty materials or workmanship. If any defect is found within the 1 Year Warranty period, the company will repair the equipment without charge for materials and labor. To determine if defect was caused by workmanship, mis-wiring, or removing the tamper proof label, the control must be sent to Qualitech for analysis. After the 1 Year Warranty, the customer may send the unit in for a repair quote. Removing the tamper proof label will void the warranty.