

C  
10.5"  
267



**Hannay Reels®**  
The reel leader.

# Pumper/Cleaner Reels

## Sewer and Pipe Maintenance

| Jetting | Steam Cleaning | Video Pipeline Inspection | Residential |  
| Washdown | Water Blasting | Vacuum Suction | Portable Toilet Cleaning | Sanitizing |



Family owned and operated since 1933

# CONTENTS

|   |             |
|---|-------------|
| <b>Pumper/Cleaner Reels</b>                   | <b>Page</b> |
| <b>Hannay Reels Custom Department</b>         | 3           |
| <b>Sewer &amp; Pipe Maintenance Reels</b>     |             |
| Series 6000                                   | 4-5         |
| Series 6100                                   | 6           |
| Series 6200                                   | 7           |
| Series 6200 Hydraulic Direct Drive            | 8           |
| Series 8000                                   | 9           |
| Series 9000                                   | 10          |
| <b>Hose Reels</b>                             |             |
| Series 1500                                   | 11          |
| Series N700                                   | 12          |
| Series PW-2                                   | 13          |
| <b>Vacuum Reels</b>                           |             |
| Series VAC-5000                               | 14          |
| Series VAC (Storage Only)                     | 15          |
| Series VAC-9000                               | 16-17       |
| <b>Accessories</b>                            |             |
| Utility Hose Rollers, Hose Guides, Hose Stops | 18          |
| <b>Portable Reels</b>                         |             |
| Series H16-14-16 (High Pressure)              | 19          |
| Series 1100/AT1200                            | 20          |
| Series AT1300                                 | 21          |
| <b>Cable Reels</b>                            |             |
| CR1600  | 22-23       |
| ECR1600                                       | 22-23       |
| CR6600  | 22-23       |
| ECR6600                                       | 22-23       |
| Static Grounding Reels. Series GR/HGR         | 24-25       |
| <b>Hose or Cable Reel Spec Worksheet</b>      | 26          |
| <b>Hannay Reels Sales Policies</b>            | 27          |



## **Built tough. Built for your industry.**

We understand the tough conditions you face every day and build reels that can stand up to the harsh, caustic environments associated with your business. Hannay Reels has engineered more custom hose reel solutions than any other manufacturer for pumper/cleaner applications. We respond to your industry's challenges with unique, innovative solutions – like our swivel base hose reel engineered exclusively for sewer cleaning.

Let us solve your reel issues with high quality, low maintenance reels built to your unique specs – so your crew can spend more time on their jobs and less time building equipment. Because at Hannay, we don't build our reels, we build yours.

### **Uses:**

- Sewer, septic, portable toilet cleaning
- High pressure washdown
- Video pipeline and sewer inspection
- Steam cleaning
- Sanitizing
- Vacuum/suction
- Jetting
- Water blasting

| <b>Mounting Hole Sizes</b>                          |   |
|---|---|
| <b>N Series Reels</b>                               | 7/16" wide x 7/8" long slot running front to back |
| <b>Pressed Frame Reels and Channel Framed Reels</b> | 7/16" wide x 7/8" long slot running left to right |
| <b>Series 1500</b>                                  | 13/32" round holes                                |

# Hannay Reels **Custom Department**

- Superior Design and Engineering • Handcrafted • Supreme Value
- Highest Quality Materials • Optimum Performance • Service with Integrity

Our custom department, located in a separate facility on our premises, is on the forefront of design capability, producing quality reels that meet the precise requirements of the many industries we serve.

When a specific handling problem requires a completely different type of reel, we have the design experience and manufacturing flexibility to work with you to develop the best reel for your needs.



## Series 6000

- Washdown Operations • Tank Filling
- Water Blasting\* • Sewer Cleaning\*

### To handle single 1/2" through 1" I.D. hose.

- Heavy-duty reel for longer lengths of hose.
- Choose gear-driven crank rewind or chain and sprocket drive powered by an electric, hydraulic or compressed air motor.
- Crank rewind reels supplied with pinion brake; power rewind reels with a strap brake.
- Standard inlet: 90° ball bearing swivel joint, 1" female NPT threads.
- Standard outlet: 1" female NPT threads.
- Standard inlet, outlet riser, and hub assembly are steel.
- Optional rollers are available.
- Standard pressures to 2000 psi (138 bar), available up to 5000 psi (345 bar) – must specify.
- Standard fluid temperatures from -40° F to +250 °F (-40° C to +121° C). Optional temperature ratings available - consult factory.
- Chain guard available upon request, must be specified.

\* Extra heavy-duty construction is usually required for water blasting and sewer cleaning applications. Refer to our 6100 and 6200 series reels. See pages 6, 7 and 8.



Standard configuration shown with Electric Rewind (EP) option



### Optional Auxiliary Rewind

Ring and pinion shaft rewind unit with removable crank handle.



Optional Assembly C2 roller top wind and auxiliary rewind shown

# Series 6000

- Washdown Operations • Tank Filling
- Water Blasting\* • Sewer Cleaning\*

## PARTS DRAWING – ISO 84

| Model Number<br>For power rewind<br>see Note 5 | Hose Capacity of Reel<br>feet m |            |              |             | Approx. Weight<br>Crank Rewind<br>lb. kg<br>see Note 4 |             | Reel Dimensions***<br>In. mm |             |              |              |              |              |              |             |              |   |
|--|---------------------------------|------------|--------------|-------------|--|-------------|------------------------------|-------------|--------------|--------------|--------------|--------------|--------------|-------------|--------------|---|
|  | I.D. in.<br>mm                  | 1/2<br>13  | 3/4<br>19    | 1<br>25     | NET  | SHIP        | A                            | B           | D            | E            | F<br>CRANK   | F<br>POWER   | G            | H           | X            | Y |
|  | O.D. in.<br>mm                  | 7/8<br>22  | 1-9/32<br>33 | 1-1/2<br>40 |  |             |                              |             |              |              |              |              |              |             |              |   |
| <b>6024-19-21</b>                              | <b>200</b>                      | <b>100</b> | <b>60</b>    | <b>85</b>   | <b>127</b>   | <b>21</b>   | <b>15.5</b>                  | <b>20.5</b> | <b>18.75</b> | <b>25.38</b> | <b>28.5</b>  | <b>21.5</b>  | <b>12.12</b> | <b>13</b>   | <b>16.75</b> |   |
|  | 61                              | 30         | 18           | 39          | 58   | 533         | 394                          | 521         | 476          | 645          | 724          | 546          | 308          | 330         | 425          |   |
| <b>6032-19-21</b>                              | <b>325</b>                      | <b>175</b> | <b>85</b>    | <b>102</b>  | <b>144</b>   | <b>29.5</b> | <b>24</b>                    | <b>20.5</b> | <b>18.75</b> | <b>33.88</b> | <b>37</b>    | <b>21.5</b>  | <b>12.12</b> | <b>21.5</b> | <b>16.75</b> |   |
|  | 99                              | 53         | 26           | 46          | 65   | 749         | 610                          | 521         | 476          | 861          | 940          | 546          | 308          | 546         | 425          |   |
| <b>6024-23-24</b>                              | <b>400</b>                      | <b>150</b> | <b>125</b>   | <b>92</b>   | <b>134</b>   | <b>21</b>   | <b>15.5</b>                  | <b>20.5</b> | <b>22.75</b> | <b>25.38</b> | <b>28.5</b>  | <b>23.5</b>  | <b>12.12</b> | <b>13</b>   | <b>16.75</b> |   |
|  | 122                             | 46         | 38           | 42          | 61   | 533         | 394                          | 521         | 578          | 645          | 724          | 597          | 308          | 330         | 425          |   |
| <b>6030-23-24</b>                              | -                               | <b>225</b> | <b>200</b>   | <b>105</b>  | <b>147</b>   | <b>27.5</b> | <b>22</b>                    | <b>20.5</b> | <b>22.75</b> | <b>31.88</b> | <b>35</b>    | <b>23.5</b>  | <b>12.12</b> | <b>19.5</b> | <b>16.75</b> |   |
|  | -                               | 68         | 61           | 48          | 67   | 699         | 559                          | 521         | 578          | 810          | 889          | 597          | 308          | 495         | 425          |   |
| <b>6038-23-24</b>                              | -                               | <b>300</b> | <b>250</b>   | <b>120</b>  | <b>162</b>   | <b>35</b>   | <b>29.5</b>                  | <b>20.5</b> | <b>22.75</b> | <b>39.38</b> | <b>42.5</b>  | <b>23.5</b>  | <b>12.12</b> | <b>27</b>   | <b>16.75</b> |   |
|  | -                               | 91         | 76           | 54          | 73   | 889         | 749                          | 521         | 578          | 1000         | 1080         | 597          | 308          | 686         | 425          |   |
| <b>6016-25-26</b>                              | <b>250</b>                      | <b>100</b> | <b>75</b>    | <b>88</b>   | <b>130</b>   | <b>13</b>   | <b>7.5</b>                   | <b>25.5</b> | <b>24.75</b> | <b>17.38</b> | <b>20.5</b>  | <b>27.88</b> | <b>15.5</b>  | <b>7.75</b> | <b>21.75</b> |   |
|  | 76                              | 30         | 23           | 40          | 59   | 330         | 191                          | 648         | 629          | 441          | 521          | 708          | 394          | 197         | 552          |   |
| <b>6022-25-26</b>                              | <b>450</b>                      | <b>175</b> | <b>125</b>   | <b>100</b>  | <b>142</b>   | <b>19</b>   | <b>13.5</b>                  | <b>25.5</b> | <b>24.75</b> | <b>23.38</b> | <b>26.5</b>  | <b>27.88</b> | <b>15.5</b>  | <b>11</b>   | <b>21.75</b> |   |
|  | 137                             | 84         | 38           | 45          | 64   | 483         | 343                          | 648         | 629          | 594          | 673          | 708          | 394          | 279         | 552          |   |
| <b>6028-25-26</b>                              | -                               | <b>275</b> | <b>175</b>   | <b>113</b>  | <b>155</b>   | <b>25.5</b> | <b>20</b>                    | <b>25.5</b> | <b>24.75</b> | <b>29.88</b> | <b>33</b>    | <b>27.88</b> | <b>15.5</b>  | <b>17.5</b> | <b>21.75</b> |   |
|  | -                               | 84         | 53           | 51          | 70   | 648         | 508                          | 648         | 629          | 759          | 838          | 708          | 394          | 445         | 552          |   |
| <b>6018-30-31</b>                              | <b>400</b>                      | <b>200</b> | <b>150</b>   | <b>101</b>  | <b>151</b>   | <b>15</b>   | <b>9.5</b>                   | <b>25.5</b> | <b>28.75</b> | <b>19.38</b> | <b>22.5</b>  | <b>29.88</b> | <b>15.5</b>  | <b>7</b>    | <b>21.75</b> |   |
|  | 122                             | 61         | 46           | 46          | 68   | 381         | 241                          | 648         | 730          | 492          | 572          | 759          | 394          | 178         | 552          |   |
| <b>6024-30-31</b>                              | -                               | <b>350</b> | <b>250</b>   | <b>113</b>  | <b>163</b>   | <b>21</b>   | <b>15.5</b>                  | <b>25.5</b> | <b>28.75</b> | <b>25.38</b> | <b>28.5</b>  | <b>29.88</b> | <b>15.5</b>  | <b>13</b>   | <b>21.75</b> |   |
|  | -                               | 107        | 76           | 51          | 74   | 533         | 394                          | 648         | 730          | 645          | 724          | 759          | 394          | 330         | 552          |   |
| <b>6028-30-31</b>                              | -                               | <b>450</b> | <b>300</b>   | <b>121</b>  | <b>171</b>   | <b>25.5</b> | <b>20</b>                    | <b>25.5</b> | <b>28.75</b> | <b>29.88</b> | <b>33</b>    | <b>29.88</b> | <b>15.5</b>  | <b>17.5</b> | <b>21.75</b> |   |
|  | -                               | 137        | 91           | 55          | 78   | 648         | 508                          | 648         | 730          | 759          | 838          | 759          | 394          | 445         | 552          |   |
| † <b>6028-33-34</b>                            | -                               | -          | <b>400</b>   | <b>125</b>  | <b>175</b>   | <b>25</b>   | <b>20</b>                    | <b>31.5</b> | <b>31.75</b> | <b>29.75</b> | <b>33.06</b> | <b>33.63</b> | <b>17.75</b> | <b>17.5</b> | <b>27.75</b> |   |
|  | -                               | -          | 122          | 57          | 79   | 635         | 508                          | 800         | 806          | 756          | 840          | 854          | 451          | 445         | 705          |   |

**Notes:**

- Specifications subject to change.
- Upon request, reels can be supplied with drum lengths other than shown and with disc sizes in other diameters.
- Dimensions shown for reels up to and including 30-31 disc size reflect pressed frames. All others are rollformed channel frames.
- Weights shown in chart are for crank rewind models. ADD these amounts for power rewind models.

|                        | Net lbs/kg     | Ship lbs/kg    |
|------------------------|----------------|----------------|
| <b>Electric 1/2 HP</b> | <b>40/18.1</b> | <b>40/18.1</b> |
| <b>Hydraulic</b>       | <b>20/9.1</b>  | <b>20/9.1</b>  |
| <b>Air</b>             | <b>20/9.1</b>  | <b>20/9.1</b>  |

- When ordering power rewind models, prefix model number with:
  - A** = Air Rewind
  - EP** = Electric Rewind (1/2 HP) with Switch and Solenoid
  - EPJ** = Electric Rewind with EP Switch, Solenoid and Junction Box
  - HD** = Hydraulic Rewind

(Air rewind reels are supplied with control valve and 18" air hose; 12v and 24v DC rewind reels are supplied with switch and solenoid; 115v AC rewind reels are not supplied with switch but can be ordered separately; hydraulic rewind reels are not supplied with control valve.)

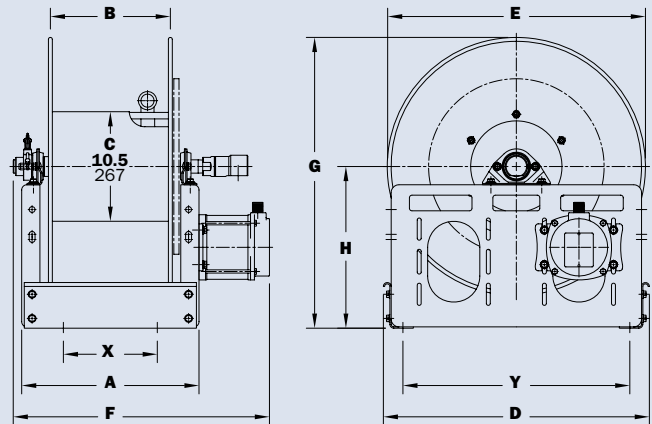
6. **Finish:** Refer to page 27.

7. **Be sure to check dimensions and weights prior to ordering.**

**NOTICE:** A flexible connector must be used between the inlet pipe and the inlet swivel joint.

\*\*\* X, Y indicate mounting holes. See page 2.

† Some applications require a clutch/reduction unit.



Power rewind shown

# Series 6100

- Jetting • Water Blasting
- Sewer Cleaning

**To handle single 3/8" through 1/2" I.D. hose.**

- Heavy-duty construction, strong spool to control hose expansion.
- Standard inlet: 90° ball bearing swivel joint, 1/2" female NPT threads.
- Standard outlet: 1/2" female NPT threads.
- #40 chain and sprocket drive.
- Hydraulic, Air and Electric motorized rewinds are available.
- Steel-Hub Assembly – rated to 5000 psi (345 bar).
- Standard fluid temperatures from -40° F to +250 °F (-40° C to +121° C). Optional temperature ratings available - consult factory.



Air Rewind (A) shown with optional rollers and optional auxiliary rewind

**Options**

- 10,000 psi working pressure (690 bar).
- Auxiliary rewind.
- Roller assemblies.
- Chain guard.
- Hose packages.

**PARTS DRAWING – ISO 236**

| Model Number<br>For power rewind see Note 3 | Hose Capacity of Reel<br>feet m |             |             | Approx. Weight<br>lb. kg |            | Reel Dimensions***<br>in. mm |             |             |              |              |              |           |              |           |              |
|---|---------------------------------|-------------|-------------|--------------------------|------------|------------------------------|-------------|-------------|--------------|--------------|--------------|-----------|--------------|-----------|--------------|
|   | I.D. in.<br>mm                  | 3/8<br>10   | 1/2<br>13   | NET                      | SHIP       | A                            | B           | C           | D            | E            | F            | G         | H            | X         | Y            |
|   | O.D. in.<br>mm                  | .68<br>17.3 | .89<br>22.6 |                          |            |                              |             |             |              |              |              |           |              |           |              |
| <b>6118-23-24-10.5</b>                      |                                 | <b>400</b>  | <b>200</b>  | <b>170</b>               | <b>205</b> | <b>16</b>                    | <b>9.5</b>  | <b>10.5</b> | <b>23.25</b> | <b>22.75</b> | <b>22.75</b> | <b>24</b> | <b>12.63</b> | <b>9</b>  | <b>20.5</b>  |
|   |                                 | 122         | 61          | 77                       | 93         | 406                          | 241         | 267         | 591          | 578          | 578          | 610       | 321          | 229       | 514          |
| <b>6122-23-24-10.5</b>                      |                                 | <b>600</b>  | <b>300</b>  | <b>175</b>               | <b>210</b> | <b>20</b>                    | <b>13.5</b> | <b>10.5</b> | <b>23.25</b> | <b>22.75</b> | <b>26.75</b> | <b>24</b> | <b>12.63</b> | <b>13</b> | <b>20.25</b> |
|   |                                 | 183         | 91          | 79                       | 95         | 508                          | 343         | 267         | 591          | 578          | 679          | 610       | 321          | 330       | 514          |
| <b>6116-25-26-10.5</b>                      |                                 | <b>400</b>  | <b>200</b>  | <b>171</b>               | <b>206</b> | <b>14</b>                    | <b>7.5</b>  | <b>10.5</b> | <b>25.25</b> | <b>24.75</b> | <b>20.75</b> | <b>26</b> | <b>13.63</b> | <b>7</b>  | <b>22.25</b> |
|   |                                 | 122         | 61          | 78                       | 93         | 356                          | 191         | 267         | 641          | 629          | 527          | 660       | 346          | 178       | 565          |
| <b>6118-25-26-10.5</b>                      |                                 | <b>475</b>  | <b>300</b>  | <b>176</b>               | <b>211</b> | <b>16</b>                    | <b>9.5</b>  | <b>10.5</b> | <b>25.25</b> | <b>24.75</b> | <b>22.75</b> | <b>26</b> | <b>13.63</b> | <b>9</b>  | <b>22.25</b> |
|   |                                 | 145         | 91          | 80                       | 96         | 406                          | 241         | 267         | 641          | 629          | 578          | 660       | 346          | 229       | 565          |
| <b>6122-25-26-10.5</b>                      |                                 | <b>700</b>  | <b>450</b>  | <b>187</b>               | <b>222</b> | <b>20</b>                    | <b>13.5</b> | <b>10.5</b> | <b>25.25</b> | <b>24.75</b> | <b>26.75</b> | <b>26</b> | <b>13.63</b> | <b>13</b> | <b>22.25</b> |
|   |                                 | 213         | 137         | 85                       | 101        | 508                          | 343         | 267         | 641          | 629          | 679          | 660       | 346          | 330       | 565          |
| <b>6116-30-31-10.5</b>                      |                                 | <b>600</b>  | <b>300</b>  | <b>200</b>               | <b>250</b> | <b>14</b>                    | <b>7.5</b>  | <b>10.5</b> | <b>29.25</b> | <b>28.75</b> | <b>20.75</b> | <b>31</b> | <b>16.63</b> | <b>7</b>  | <b>26.25</b> |
|   |                                 | 183         | 91          | 91                       | 113        | 356                          | 191         | 267         | 743          | 730          | 527          | 787       | 422          | 178       | 667          |
| <b>6118-30-31-10.5</b>                      |                                 | <b>675</b>  | <b>400</b>  | <b>205</b>               | <b>255</b> | <b>16</b>                    | <b>9.5</b>  | <b>10.5</b> | <b>29.25</b> | <b>28.75</b> | <b>22.75</b> | <b>31</b> | <b>16.63</b> | <b>9</b>  | <b>26.25</b> |
|   |                                 | 206         | 122         | 93                       | 116        | 406                          | 241         | 267         | 743          | 730          | 578          | 787       | 422          | 229       | 667          |

**Notes:**

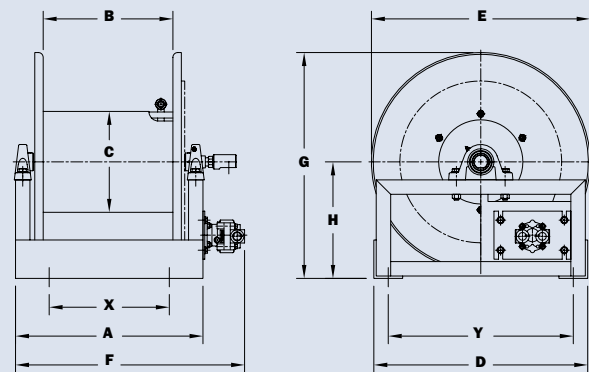
- Specifications subject to change.
- Upon request, reels can be supplied with drum lengths other than shown and with disc sizes in other diameters.
- When ordering power rewind models, prefix model number with:
  - A** = Air Rewind
  - EP** = Electric Rewind (2/3 HP) with Switch and Solenoid
  - EPJ** = Electric Rewind with EP Switch, Solenoid and Junction Box
  - HD** = Hydraulic Rewind

(Air rewind reels are supplied with control valve and 18" air hose; 12v and 24v DC rewind reels are supplied with switch and solenoid; 115v AC rewind reels are not supplied with switch but can be ordered separately; hydraulic rewind reels are not supplied with control valve.)

- Finish:** Refer to page 27.
- Be sure to check dimensions and weights prior to ordering.**

**NOTICE:** A flexible connector must be used between the inlet pipe and the inlet swivel joint.

\*\*\* X, Y indicate mounting holes which are 5/8" diameter.



Power rewind shown

# Series 6200

• Water Blasting • Sewer Cleaning

**To handle single 3/4" through 1" I.D. hose.**

- Heavy-duty construction, strong spool and frame to control hose expansion.
- Standard inlet: 90° ball bearing swivel joint, 1" female NPT threads.
- Standard outlet: 1" female NPT threads.
- Hydraulic motor rewind, #50 chain and sprocket drive.
- Steel hub assembly – rated to 3000 psi (207 bar).
- Standard fluid temperatures from -40° F to +250 °F (-40° C to +121° C). Optional temperature ratings available - consult factory.
- Assembly "A" roller on front of frame.
- Full chain guard.

**Options**

- 5000 psi working pressure (345 bar).
- Direct drive (hydraulic) motor rewind (see page 8).
- Hose packages.
- Roller assemblies.



Standard configuration shown

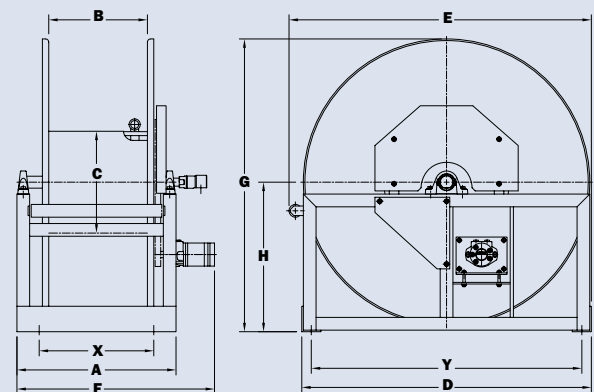
**PARTS DRAWING – ISO 237**

| Model Number<br>For power rewind see Note 3 | Hose Capacity of Reel<br>feet m |                   |                   | Approx. Weight<br>lb. kg |                   | Reel Dimensions***<br>in. mm |                    |                  |                     |                     |                  |                   |                     |                  |                     |
|---|---------------------------------|-------------------|-------------------|--------------------------|-------------------|------------------------------|--------------------|------------------|---------------------|---------------------|------------------|-------------------|---------------------|------------------|---------------------|
|   | I.D. in.<br>mm                  | 3/4<br>19         | 1<br>25           | NET                      | SHIP              | A                            | B                  | C                | D                   | E                   | F                | G                 | H                   | X                | Y                   |
|   | O.D. in.<br>mm                  | 1.18<br>29.9      | 1.43<br>36.3      |                          |                   |                              |                    |                  |                     |                     |                  |                   |                     |                  |                     |
| <b>6218-33-34-16</b>                        |                                 | <b>225</b><br>69  | <b>150</b><br>46  | <b>367</b><br>166        | <b>418</b><br>190 | <b>19</b><br>483             | <b>9.5</b><br>241  | <b>16</b><br>406 | <b>32.25</b><br>819 | <b>34.25</b><br>870 | <b>24</b><br>610 | <b>34</b><br>864  | <b>18.13</b><br>461 | <b>12</b><br>305 | <b>29.25</b><br>749 |
| <b>6222-33-34-16</b>                        |                                 | <b>300</b><br>91  | <b>200</b><br>61  | <b>392</b><br>178        | <b>446</b><br>202 | <b>23</b><br>584             | <b>13.5</b><br>343 | <b>16</b><br>406 | <b>32.25</b><br>819 | <b>34.25</b><br>870 | <b>28</b><br>711 | <b>34</b><br>864  | <b>18.13</b><br>461 | <b>16</b><br>406 | <b>29.25</b><br>749 |
| <b>6224-33-34-16</b>                        |                                 | <b>375</b><br>114 | <b>225</b><br>69  | <b>405</b><br>184        | <b>455</b><br>206 | <b>25</b><br>635             | <b>15.5</b><br>394 | <b>16</b><br>406 | <b>32.25</b><br>819 | <b>34.25</b><br>870 | <b>30</b><br>762 | <b>34</b><br>864  | <b>18.13</b><br>461 | <b>18</b><br>457 | <b>29.25</b><br>749 |
| <b>6218-39-40-16</b>                        |                                 | <b>350</b><br>107 | <b>250</b><br>76  | <b>454</b><br>206        | <b>524</b><br>238 | <b>19</b><br>483             | <b>9.5</b><br>241  | <b>16</b><br>406 | <b>39.5</b><br>1003 | <b>41.5</b><br>1054 | <b>25</b><br>635 | <b>40</b><br>1016 | <b>20.5</b><br>521  | <b>12</b><br>305 | <b>36.5</b><br>927  |
| <b>6220-39-40-16</b>                        |                                 | <b>400</b><br>122 | <b>300</b><br>91  | <b>466</b><br>211        | <b>536</b><br>243 | <b>21</b><br>533             | <b>11.5</b><br>292 | <b>16</b><br>406 | <b>39.5</b><br>1003 | <b>41.5</b><br>1054 | <b>27</b><br>686 | <b>40</b><br>1016 | <b>20.5</b><br>521  | <b>14</b><br>356 | <b>36.5</b><br>927  |
| <b>6222-39-40-16</b>                        |                                 | <b>500</b><br>152 | <b>350</b><br>107 | <b>480</b><br>218        | <b>555</b><br>252 | <b>23</b><br>584             | <b>13.5</b><br>343 | <b>16</b><br>406 | <b>39.5</b><br>1003 | <b>41.5</b><br>1054 | <b>29</b><br>737 | <b>40</b><br>1016 | <b>20.5</b><br>521  | <b>16</b><br>406 | <b>36.5</b><br>927  |
| <b>6224-39-40-16</b>                        |                                 | <b>600</b><br>183 | <b>400</b><br>122 | <b>492</b><br>223        | <b>577</b><br>263 | <b>25</b><br>635             | <b>15.5</b><br>394 | <b>16</b><br>406 | <b>39.5</b><br>1003 | <b>41.5</b><br>1054 | <b>31</b><br>787 | <b>40</b><br>1016 | <b>20.5</b><br>521  | <b>18</b><br>457 | <b>36.5</b><br>927  |
| <b>6220-45-46-16</b>                        |                                 | -                 | <b>400</b><br>122 | <b>543</b><br>246        | <b>628</b><br>285 | <b>21</b><br>533             | <b>11.5</b><br>292 | <b>16</b><br>406 | <b>45.5</b><br>1156 | <b>47.5</b><br>1207 | <b>27</b><br>686 | <b>46</b><br>1168 | <b>23.5</b><br>597  | <b>14</b><br>356 | <b>42.5</b><br>1080 |
| <b>6224-45-46-16</b>                        |                                 | <b>900</b><br>274 | <b>500</b><br>152 | <b>570</b><br>259        | <b>655</b><br>297 | <b>25</b><br>635             | <b>15.5</b><br>394 | <b>16</b><br>406 | <b>45.5</b><br>1156 | <b>47.5</b><br>1207 | <b>31</b><br>787 | <b>46</b><br>1168 | <b>23.5</b><br>597  | <b>18</b><br>457 | <b>42.5</b><br>1080 |

**Notes:**

1. Specifications subject to change.
2. Upon request, reels can be supplied with drum lengths other than shown and with disc sizes in other diameters.
3. When ordering power rewind models, prefix model number with **HD**=Hydraulic Rewind. Hydraulic rewind reels are not supplied with control valve.

4. **Finish:** Refer to page 27.
  5. **Be sure to check dimensions and weights prior to ordering.**
- NOTICE:** A flexible connector must be used between the inlet pipe and the inlet swivel joint.
- \*\*\* X, Y indicate mounting holes which are 5/8" diameter.



Power rewind shown

# Series **HDD6200** | Hydraulic Direct Drive

- **Water Blasting • Sewer Cleaning**

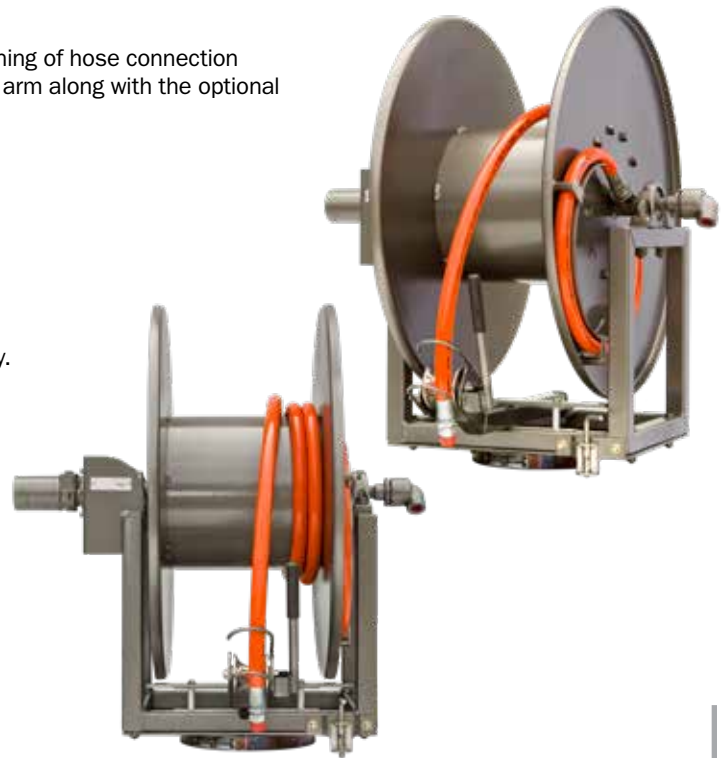
**To handle single 3/4" through 1" I.D. hose.**

This reel is designed with external hose connection to allow tightening of hose connection without removing all hose from the spool. The optional hose guide arm along with the optional swivel base, allow precise payout of hose from the reel.

- Direct drive hydraulic motor (no chain and sprocket maintenance).
- 1" swivel joint with 1" FNPT threads.
- Heavy-duty spool and frame design.
- Steel hub assembly – rated to 3000 psi (207 bar).
- Standard fluid temperatures from -40° F to +250 °F (-40° C to +121° C). Optional temperature ratings available - consult factory.
- Other models and capacities are available upon request.

**Options:**

- Swinging guide arm with roller and operator handle.
- Rotating ball bearing swivel base.
- Heavy-duty pin lock in base for locking in multiple locations.
- 1" swivel joint with adjustable packing.
- Available up to 6000 psi (414 bar) – must specify.



Standard configuration shown with optional guide arm, pivot bearing, and TMI joint (hose not included)

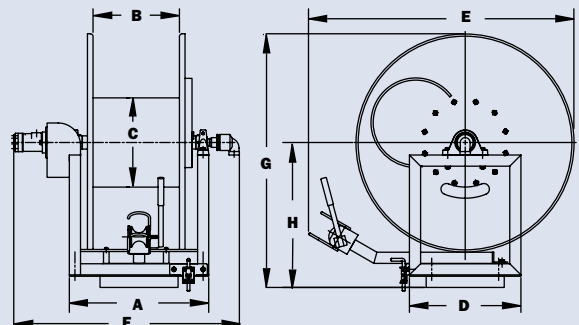
**PARTS DRAWING – ISO 238**

| Model Number<br>For power rewind see Note 3 | Hose Capacity of Reel<br>feet m |              |              | Approx. Weight<br>lb. kg |           | Reel Dimensions<br>in. mm |           |           |             |             |             |           |   |
|---|---------------------------------|--------------|--------------|--------------------------|-----------|---------------------------|-----------|-----------|-------------|-------------|-------------|-----------|---|
|   | I.D. in.<br>mm                  | 3/4<br>19    | 1<br>25      | NET                      | SHIP      | A                         | B         | C         | D           | E           | F           | G         | H |
|   | O.D. in.<br>mm                  | 1.18<br>29.9 | 1.43<br>36.3 |                          |           |                           |           |           |             |             |             |           |   |
| <b>HDD6222-39-40-16</b>                     | <b>500</b>                      | <b>350</b>   | <b>480</b>   | <b>555</b>               | <b>23</b> | <b>13.5</b>               | <b>16</b> | <b>20</b> | <b>47.6</b> | <b>38.5</b> | <b>45.5</b> | <b>26</b> |   |
|   | 152                             | 107          | 218          | 252                      | 584       | 343                       | 406       | 508       | 1209        | 978         | 1156        | 660       |   |
| <b>HDD6224-39-40-16</b>                     | <b>600</b>                      | <b>400</b>   | <b>492</b>   | <b>577</b>               | <b>25</b> | <b>15.5</b>               | <b>16</b> | <b>20</b> | <b>47.6</b> | <b>40.5</b> | <b>45.5</b> | <b>26</b> |   |
|   | 183                             | 122          | 223          | 263                      | 635       | 394                       | 406       | 508       | 1209        | 1029        | 1156        | 660       |   |
| <b>HDD6220-45-46-16</b>                     | <b>500</b>                      | <b>400</b>   | <b>543</b>   | <b>628</b>               | <b>21</b> | <b>11.5</b>               | <b>16</b> | <b>20</b> | <b>50.6</b> | <b>36.5</b> | <b>51.5</b> | <b>29</b> |   |
|   | 152                             | 122          | 246          | 285                      | 533       | 292                       | 406       | 508       | 1285        | 927         | 1308        | 737       |   |
| <b>HDD6224-45-46-16</b>                     | <b>900</b>                      | <b>500</b>   | <b>570</b>   | <b>655</b>               | <b>25</b> | <b>15.5</b>               | <b>16</b> | <b>20</b> | <b>50.6</b> | <b>40.5</b> | <b>51.5</b> | <b>29</b> |   |
|   | 274                             | 152          | 259          | 297                      | 635       | 394                       | 406       | 508       | 1285        | 1029        | 1308        | 737       |   |

**Notes:**

1. Specifications subject to change.
2. Upon request, reels can be supplied with drum lengths other than shown and with disc sizes in other diameters.
3. Hydraulic rewind reels are not supplied with control valve.
4. **Finish:** Refer to page 27.
5. **Be sure to check dimensions and weights prior to ordering.**

**NOTICE:** A flexible connector must be used between the inlet pipe and the inlet swivel joint.





# Series 8000

- Suction/Discharge (Consult Factory) • Bulk Transfer
- Chemical Transfer • General Dispensing

**To handle single 1-1/2" or 2" I.D. hose.**

- Heavy-duty reel designed for longer lengths and larger diameters of hose through 2" I.D.
- Choose gear-driven crank rewind or chain and sprocket drive powered by an electric, hydraulic or compressed air motor.
- Crank rewind reels supplied with a pinion brake; power rewind reels with a strap brake.
- Standard inlet: 90° ball bearing swivel joint, 2" female NPT threads.
- Standard outlet: 2" female NPT threads.
- Standard inlet, outlet riser, and hub assembly are steel.
- Pressures to 600 psi (41 bar).
- Standard fluid temperatures from -20° F to +212 °F (-29° C to +100° C).
- Consult factory for other pressures and temperatures.
- Rollers may be purchased as accessory items.
- Vacuum and suction applications require OPW joint with O-ring seal riser.



Standard configuration shown with Electric Rewind (EP) option



**Inline Gearbox**

For use on power reels with disc diameter 39" or larger and/or when increased torque and slower rewind speeds are required. Factory installed when specified or available as an accessory item.

**PARTS DRAWING – ISO 35**

| Model Number<br>For power rewind see Note 4 | Hose Capacity of Reel<br>feet m |                   |                  | Approx. Weight<br>Crank Rewind<br>lb. kg<br>see Note 3 |                   | Reel Dimensions***<br>in. mm |                    |                    |                     |                      |                      |                      |                     |                     |                     |
|---|---------------------------------|-------------------|------------------|--|-------------------|------------------------------|--------------------|--------------------|---------------------|----------------------|----------------------|----------------------|---------------------|---------------------|---------------------|
|   | I.D. in.<br>mm                  | 1-1/2<br>38       | 2<br>51          | NET  | SHIP              | A                            | B                  | D                  | E                   | F<br>CRANK           | F<br>POWER           | G                    | H                   | X                   | Y                   |
|   | O.D. in.<br>mm                  | 2-1/16<br>52      | 2-9/16<br>65     |  |                   | 26.25<br>667                 | 20<br>508          | 27<br>686          | 25.75<br>654        | 33.75<br>857         | 34.75<br>883         | 26.62<br>676         | 13.75<br>349        | 18.75<br>476        | 23.25<br>591        |
| <b>8234-26-27-15.5</b>                      |                                 | <b>80</b><br>24   | <b>60</b><br>18  | <b>120</b><br>54                                       | <b>170</b><br>77  | <b>26.25</b><br>667          | <b>20</b><br>508   | <b>27</b><br>686   | <b>25.75</b><br>654 | <b>33.75</b><br>857  | <b>34.75</b><br>883  | <b>26.62</b><br>676  | <b>13.75</b><br>349 | <b>18.75</b><br>476 | <b>23.25</b><br>591 |
| <b>8238-26-27-15.5</b>                      |                                 | <b>100</b><br>30  | <b>75</b><br>23  | <b>145</b><br>66                                       | <b>195</b><br>88  | <b>30.25</b><br>768          | <b>24</b><br>610   | <b>27</b><br>686   | <b>25.75</b><br>654 | <b>37.75</b><br>959  | <b>38.75</b><br>984  | <b>26.62</b><br>676  | <b>13.75</b><br>349 | <b>22.75</b><br>578 | <b>23.25</b><br>591 |
| <b>8246-26-27-15.5</b>                      |                                 | <b>145</b><br>44  | <b>100</b><br>30 | <b>196</b><br>89                                       | <b>245</b><br>112 | <b>38.25</b><br>972          | <b>32</b><br>813   | <b>27</b><br>686   | <b>25.75</b><br>654 | <b>45.75</b><br>1162 | <b>46.75</b><br>1188 | <b>26.62</b><br>676  | <b>13.75</b><br>349 | <b>30.75</b><br>781 | <b>23.25</b><br>591 |
| <b>8226-33-34-15.5</b>                      |                                 | <b>85</b><br>26   | <b>60</b><br>18  | <b>80</b><br>36  | <b>150</b><br>68  | <b>17.75</b><br>451          | <b>11.5</b><br>292 | <b>31.5</b><br>800 | <b>31.75</b><br>806 | <b>25.25</b><br>641  | <b>26.25</b><br>667  | <b>33.38</b><br>848  | <b>17.75</b><br>445 | <b>10.25</b><br>260 | <b>27.75</b><br>705 |
| <b>8234-33-34-15.5</b>                      |                                 | <b>150</b><br>46  | <b>115</b><br>35 | <b>133</b><br>60                                       | <b>230</b><br>105 | <b>26.25</b><br>667          | <b>20</b><br>508   | <b>31.5</b><br>800 | <b>31.75</b><br>806 | <b>33.75</b><br>857  | <b>34.75</b><br>883  | <b>33.38</b><br>848  | <b>17.75</b><br>445 | <b>18.75</b><br>476 | <b>27.75</b><br>705 |
| <b>8238-39-40-15.5</b>                      |                                 | <b>340</b><br>104 | <b>225</b><br>69 | <b>218</b><br>99                                       | <b>420</b><br>191 | <b>30.25</b><br>768          | <b>24</b><br>610   | <b>40</b><br>1016  | <b>39</b><br>991    | <b>37.75</b><br>959  | <b>38.75</b><br>984  | <b>39.88</b><br>1013 | <b>20.38</b><br>518 | <b>22.75</b><br>578 | <b>36.75</b><br>933 |

**Notes:**

- Specifications subject to change.
- Upon request, reels can be supplied with drum lengths other than shown and with disc sizes in other diameters.
- Weights shown in chart are for crank rewind models. ADD these amounts for power rewind models.

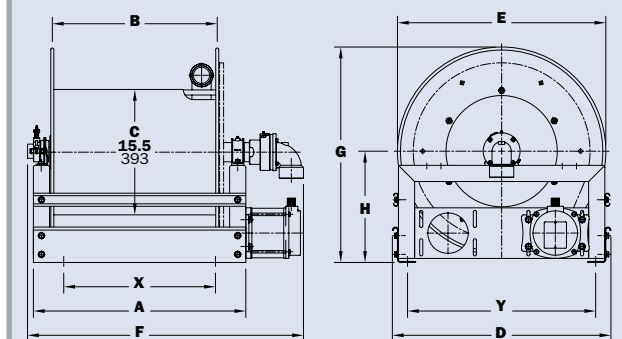
|                  | Net lbs/kg     | Ship lbs/kg    |
|------------------|----------------|----------------|
| <b>Electric</b>  | <b>40/18.1</b> | <b>40/18.1</b> |
| <b>Hydraulic</b> | <b>20/9.1</b>  | <b>20/9.1</b>  |
| <b>Air</b>       | <b>20/9.1</b>  | <b>20/9.1</b>  |

- When ordering power rewind models, prefix model number with:  
**A** = Air Rewind  
**EP** = Electric Rewind (1/2 HP)  
**HD** = Hydraulic Rewind  
 (Air rewind reels are supplied with control valve and 25" air hose; 12v and 24v DC rewind reels are supplied with switch and solenoid; 115v AC rewind reels are not supplied with switch but can be ordered separately; hydraulic rewind reels are not supplied with control valve.)

- Finish:** Refer to page 27.
- Be sure to check dimensions and weights prior to ordering.**

**NOTICE:** A flexible connector must be used between the inlet pipe and the inlet swivel joint.

\*\*\* X, Y indicate mounting holes. See page 2.



Power rewind shown

# Series 9000

- Suction/Discharge (Consult Factory) • Bulk Transfer
- High Volume Application • Chemical Transfer

**To handle 2" through 3" I.D. hose.**

- Heavy-duty reel designed for longer lengths and larger diameters of hose through 3" I.D.
- Choose gear-driven crank rewind or chain and sprocket drive powered by an electric, hydraulic or compressed air motor.
- Crank rewind reels supplied with a pinion brake; power rewind reels with a strap brake.
- Standard inlet: 90° ball bearing swivel joint, 3" female NPT threads.
- Standard outlet: 3" female NPT threads.
- Standard, outlet riser, and hub assembly are aluminum with ductile inlet.
- Rollers may be purchased as accessory items.
- Pressures to 300 psi (21 bar).
- Standard fluid temperatures from -20° F to +212 °F (-29° C to +100° C).
- Consult factory for other pressures and temperatures.



Standard configuration shown with Electric Rewind (EP) option



**Inline Gearbox**

For use on power reels with disc diameter 39" or larger and/or when increased torque and slower rewind speeds are required. Factory installed when specified or available as an accessory item.

**PARTS DRAWING – ISO 57**

| Model Number<br><small>For power rewind see Note 4</small> | Hose Capacity of Reel<br>feet m |              |             | Approx. Weight<br>Crank Rewind<br>lb. kg<br><small>see Note 3</small> |              | Reel Dimensions***<br>in. mm |             |              |              |              |              |              |              |              |            |            |             |             |             |             |             |            |            |             |
|--|---------------------------------|--------------|-------------|---|--------------|------------------------------|-------------|--------------|--------------|--------------|--------------|--------------|--------------|--------------|------------|------------|-------------|-------------|-------------|-------------|-------------|------------|------------|-------------|
|  | I.D. in.<br>mm                  | 2-1/2<br>64  | 3<br>76     | NET   | SHIP         | A                            | B           | D            | E            | F<br>CRANK   | F<br>POWER   | G            | H            | X            | Y          |            |             |             |             |             |             |            |            |             |
|  | O.D. in.<br>mm                  | 3-3/16<br>81 | 3-3/4<br>95 |   |              |                              |             |              |              |              |              |              |              |              |            |            |             |             |             |             |             |            |            |             |
| <b>9332-33-34-20</b>                                       | <b>30</b>                       | <b>25</b>    | <b>147</b>  | <b>217</b>  | <b>23.75</b> | <b>17.5</b>                  | <b>31.5</b> | <b>31.75</b> | <b>33.75</b> | <b>33.25</b> | <b>33.88</b> | <b>1.8</b>   | <b>16.25</b> | <b>27.75</b> | <b>603</b> | <b>445</b> | <b>800</b>  | <b>80</b>   | <b>857</b>  | <b>845</b>  | <b>861</b>  | <b>457</b> | <b>413</b> | <b>705</b>  |
| <b>9338-33-34-20</b>                                       | <b>45</b>                       | <b>35</b>    | <b>187</b>  | <b>257</b>  | <b>30.25</b> | <b>24</b>                    | <b>31.5</b> | <b>31.75</b> | <b>40.25</b> | <b>39.75</b> | <b>33.88</b> | <b>1.8</b>   | <b>22.75</b> | <b>27.75</b> | <b>768</b> | <b>610</b> | <b>800</b>  | <b>807</b>  | <b>1022</b> | <b>1010</b> | <b>861</b>  | <b>457</b> | <b>578</b> | <b>705</b>  |
| <b>9346-33-34-20</b>                                       | <b>60</b>                       | <b>50</b>    | <b>237</b>  | <b>372</b>  | <b>38.25</b> | <b>32</b>                    | <b>31.5</b> | <b>31.75</b> | <b>48.25</b> | <b>47.75</b> | <b>33.88</b> | <b>1.8</b>   | <b>30.75</b> | <b>27.75</b> | <b>972</b> | <b>813</b> | <b>800</b>  | <b>807</b>  | <b>1226</b> | <b>1213</b> | <b>861</b>  | <b>457</b> | <b>781</b> | <b>705</b>  |
| <b>9338-39-40-20</b>                                       | <b>90</b>                       | <b>80</b>    | <b>239</b>  | <b>480</b>  | <b>30.25</b> | <b>24</b>                    | <b>40</b>   | <b>39</b>    | <b>40.25</b> | <b>39.75</b> | <b>40.38</b> | <b>20.88</b> | <b>22.75</b> | <b>36.75</b> | <b>768</b> | <b>610</b> | <b>1016</b> | <b>991</b>  | <b>1022</b> | <b>1010</b> | <b>1026</b> | <b>530</b> | <b>578</b> | <b>933</b>  |
| <b>9334-45-46-20</b>                                       | <b>130</b>                      | <b>115</b>   | <b>361</b>  | <b>525</b>  | <b>26.25</b> | <b>20</b>                    | <b>46</b>   | <b>45</b>    | <b>36.25</b> | <b>35.75</b> | <b>46.38</b> | <b>23.88</b> | <b>18.75</b> | <b>42.75</b> | <b>667</b> | <b>508</b> | <b>1168</b> | <b>1143</b> | <b>921</b>  | <b>908</b>  | <b>1178</b> | <b>607</b> | <b>476</b> | <b>1086</b> |

**Notes:**

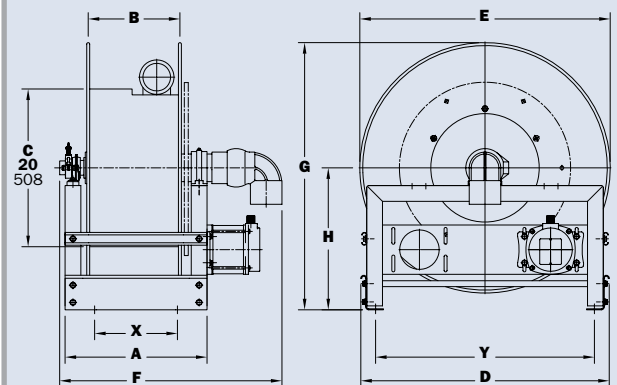
- Specifications subject to change.
- Upon request, reels can be supplied with drum lengths other than shown and with disc sizes in other diameters.
- Weights shown in chart are for crank rewind models. ADD these amounts for power rewind models.

|                  | Net lbs/kg     | Ship lbs/kg    |
|------------------|----------------|----------------|
| <b>Electric</b>  | <b>40/18.1</b> | <b>40/18.1</b> |
| <b>Hydraulic</b> | <b>20/9.1</b>  | <b>20/9.1</b>  |
| <b>Air</b>       | <b>20/9.1</b>  | <b>20/9.1</b>  |

- When ordering power rewind models, prefix model number with:  
**A** = Air Rewind  
**EP** = Electric Rewind (1/2 HP)  
**HD** = Hydraulic Rewind  
 (Air rewind reels are supplied with control valve and 25" air hose; 12v and 24v DC rewind reels are supplied with switch and solenoid; 115v AC rewind reels are not supplied with switch but can be ordered separately; hydraulic rewind reels are not supplied with control valve.)
- Finish:** Refer to page 27.

**6. Be sure to check dimensions and weights prior to ordering.**

**NOTICE:** A flexible connector must be used between the inlet pipe and the inlet swivel joint.  
 \*\*\* X, Y indicate mounting holes. See page 2.



Power rewind shown

# Series 1500

• Pressure Washing • Steam Cleaning • Washdown

**To handle single 3/8" through 5/8" I.D. hose.**

- Lightweight, compact reels designed for long lengths of hose.
- Manual rewind reels include: cam-lock drag brake, spring actuated pin lock and direct crank rewind.
- Power rewind reels include: chain and sprocket drive powered by electric, hydraulic or air motor.
- Standard inlet: 90° ball bearing swivel joint, 1/2" female NPT threads.
- Standard outlet: 1/2" female NPT threads.
- Standard pressures to 3000 psi (207 bar), available up to 10,000 psi (690 bar) – must specify.
- Standard fluid temperatures from +32° F to +400 °F (0° C to +204° C). Optional temperature ratings available - consult factory.
- Rollers and roller mounting brackets are accessory items. Must specify roller position when ordering.
- Optional stainless steel construction and internals – consult factory.
- **Heavy-Duty Upgrade Options:** 3/16" thick discs, 8" diameter steel 14 gage drum, and optional pressures of 5000 or 10,000 psi, must specify when ordering.
- **Optional HGK-15 Hose Guide Kit:** Includes Hose Guide, handle grip, 2 stainless steel guide rods, 4 mounting blocks, steel mounting bracket set, and all mounting hardware. Must specify when ordering (see page 18).



◀ Standard configuration shown with Electric Rewind (E) option



Standard configuration shown ▶ with Crank Rewind



**Optional External Mounting Brackets**

Part No. 9906.0027.  
Add 2-1/2" to the X dimensions shown in the chart.

**PARTS DRAWING – ISO 90 (POWER); ISO 179 (MANUAL)**

| Model Number<br><small>For power rewind see Note 5</small> | Hose Capacity of Reel<br>feet m |            |            |           | Approx. Weight<br>Crank Rewind<br>lb. kg (see Note 3) |                              |                        | Reel Dimensions***<br>in. mm |             |            |              |            |             |   |
|--|---------------------------------|------------|------------|-----------|---|------------------------------|------------------------|------------------------------|-------------|------------|--------------|------------|-------------|---|
|  | I.D. in.<br>mm                  | 3/8<br>10  | 1/2<br>13  | 5/8<br>16 | NET   | UPS/<br>FedEx<br>SHIP<br>Wt. | Freight<br>SHIP<br>Wt. | A                            | B           | E<br>CRANK | E<br>POWER   | F<br>CRANK | F<br>POWER  | X |
|  | O.D. in.<br>mm                  | 3/4<br>19  | 7/8<br>22  | 1<br>25   |   |                              |                        |                              |             |            |              |            |             |   |
| <b>1514-17-18</b>  | <b>125</b>                      | <b>75</b>  | <b>50</b>  | <b>27</b> | <b>65*</b>  | <b>62</b>                    | <b>11</b>              | <b>6</b>                     | <b>17.5</b> | <b>19</b>  | <b>19.25</b> | <b>17</b>  | <b>9.5</b>  |   |
|  | 38                              | 23         | 15         | 12        | 30  | 28                           | 279                    | 152                          | 445         | 483        | 489          | 432        | 241         |   |
| <b>1520-17-18</b>  | <b>275</b>                      | <b>175</b> | <b>125</b> | <b>29</b> | <b>80*</b>  | <b>64</b>                    | <b>17</b>              | <b>12</b>                    | <b>17.5</b> | <b>19</b>  | <b>25.25</b> | <b>23</b>  | <b>15.5</b> |   |
|  | 84                              | 53         | 38         | 13        | 36  | 29                           | 432                    | 305                          | 445         | 483        | 641          | 584        | 394         |   |
| <b>1526-17-18</b>  | <b>400</b>                      | <b>300</b> | <b>200</b> | <b>31</b> | <b>98*</b>  | <b>66</b>                    | <b>23</b>              | <b>18</b>                    | <b>17.5</b> | <b>19</b>  | <b>31.25</b> | <b>29</b>  | <b>21.5</b> |   |
|  | 122                             | 91         | 61         | 14        | 45  | 30                           | 584                    | 457                          | 445         | 483        | 794          | 737        | 546         |   |
| <b>1530-17-18</b>  | <b>500</b>                      | <b>375</b> | <b>275</b> | <b>33</b> | <b>110*</b>   | <b>68</b>                    | <b>27</b>              | <b>22</b>                    | <b>17.5</b> | <b>19</b>  | <b>35.25</b> | <b>33</b>  | <b>25.5</b> |   |
|  | 152                             | 114        | 84         | 15        | 50  | 31                           | 686                    | 559                          | 445         | 483        | 895          | 838        | 648         |   |
| <b>1536-17-18</b>  | -                               | <b>475</b> | <b>350</b> | <b>35</b> | -   | <b>70</b>                    | <b>33</b>              | <b>28</b>                    | <b>17.5</b> | <b>19</b>  | <b>41.25</b> | <b>39</b>  | <b>31.5</b> |   |
|  | -                               | 145        | 107        | 16        | -   | 32                           | 838                    | 711                          | 445         | 483        | 1048         | 991        | 800         |   |

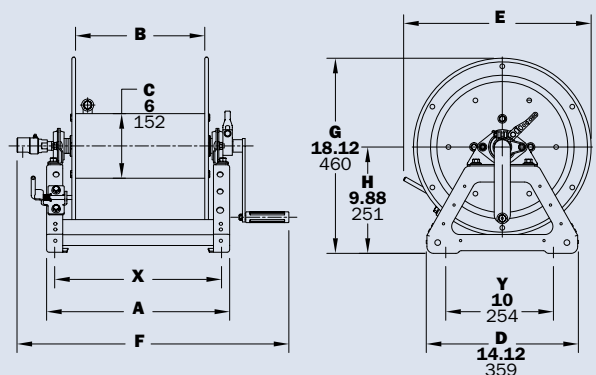
**Notes:**

- Specifications subject to change.
- Upon request, reels can be supplied with drum lengths other than shown.
- Weights shown in chart are for crank rewind models. ADD these amounts for power rewind models (does not apply to FedEx or UPS):
 

|                  |               |               |
|------------------|---------------|---------------|
|                  | Net lbs/kg    | Ship lbs/kg   |
| <b>Electric</b>  | <b>18/8.2</b> | <b>18/8.2</b> |
| <b>Hydraulic</b> | <b>15/6.8</b> | <b>15/6.8</b> |
| <b>Air</b>       | <b>15/6.8</b> | <b>15/6.8</b> |
- Dimension "F" is the overall length of standard model reels.
- When ordering power rewind models, prefix model number with:
  - A** = Air Rewind
  - E** = Electric Rewind
  - HD** = Hydraulic Rewind

(Air rewind reels are supplied with control valve and 18" air hose; 12v and 24v DC rewind reels are supplied with switch and solenoid; 115v AC rewind reels are not supplied with switch but can be ordered separately; hydraulic rewind reels are not supplied with control valve.)

- Manual rewind available in RT or LB configurations only.
- Finish:** Refer to page 27.
- Be sure to check dimensions and weights prior to ordering.**
- Some roller options may prohibit the use of our molded chain guard.
- NOTICE:** A flexible connector must be used between the inlet pipe and the inlet swivel joint.
- \* Dimensional weight applies when shipped as a parcel package (via FedEx or UPS Ground).
- \*\*\* X, Y indicate mounting holes. See page 2.



Crank rewind shown

# Series N700

- Lubrication • Air/Water • Assembly Operations
- Washdown • Air Tools • General Industrial Applications

**To handle 1/4" through 1/2" I.D. hose.**

- Narrow frame and compact mounting base.
- Non-sparking ratchet assembly.
- Declutching arbor to prevent damage from reverse winding.
- Standard inlet: 90° balanced pressure swivel joint, 1/2" female NPT threads.
- Standard outlet: 1/2" female NPT threads.
- Standard pressures to 3000 psi (207 bar), available up to 10,000 psi (690 bar) – must specify.
- Standard fluid temperatures from -40° F to +250 °F (-40° C to +121° C). Optional temperature ratings available - consult factory.
- 4-way roller assembly.
- Constant tension is available – consult factory.



Standard SR configuration shown



**Optional Swivel Mounting Bracket**

Part No. 9908,9990. For N-Series spring retractable reels, available as a kit. Conditions apply, consult factory.

**PARTS DRAWING – ISO 79**

| Model Number         | Hose Capacity of Reel<br>feet m |           |           |           | Approx. Weight<br>lb. kg |                              |                        | Standard Roller Assy. | Reel Dimensions***<br>in. mm |      |       |       |       |       |     |   |
|----------------------|---------------------------------|-----------|-----------|-----------|--------------------------|------------------------------|------------------------|-----------------------|------------------------------|------|-------|-------|-------|-------|-----|---|
|                      | I.D. in.<br>mm                  | 1/4<br>6  | 3/8<br>10 | 1/2<br>13 | NET                      | UPS/<br>FedEx<br>SHIP<br>Wt. | Freight<br>SHIP<br>Wt. |                       | A                            | B    | C     | E     | F     | G     | H   | X |
|                      | O.D. in.<br>mm                  | 5/8<br>16 | 3/4<br>19 | 7/8<br>22 |                          |                              |                        |                       |                              |      |       |       |       |       |     |   |
| N716-14-16-8C        | -                               | 25        | 25        | 52        | 64*                      | 87                           | N204                   | 10                    | 4                            | 8    | 18.12 | 11.63 | 16.12 | 9.12  | 8   |   |
|                      | -                               | 8         | 8         | 24        | 29                       | 39                           |                        | 254                   | 102                          | 203  | 460   | 295   | 409   | 232   | 203 |   |
| N716-16-17-10.5C     | -                               | 35        | 35        | 55        | 69*                      | 90                           | N204                   | 10                    | 4                            | 10.5 | 19    | 11.63 | 17    | 9.12  | 8   |   |
|                      | -                               | 11        | 11        | 25        | 31                       | 41                           |                        | 254                   | 102                          | 267  | 483   | 295   | 432   | 232   | 203 |   |
| †N716-17-18-8L       | -                               | 50†       | 50†       | 55        | 68*                      | 90                           | N204                   | 10                    | 4                            | 8    | 19.5  | 11.63 | 17.38 | 9.12  | 8   |   |
|                      | -                               | 15†       | 15†       | 25        | 31                       | 41                           |                        | 254                   | 102                          | 203  | 495   | 295   | 441   | 232   | 203 |   |
| N716-19-20-10.5J     | -                               | 50        | 50        | 64        | 82*                      | 99                           | N204                   | 10                    | 4                            | 10.5 | 20.75 | 11.63 | 20    | 10.62 | 8   |   |
|                      | -                               | 15        | 15        | 29        | 37                       | 45                           |                        | 254                   | 102                          | 267  | 527   | 295   | 508   | 270   | 203 |   |
| N716-23-24-15.5J     | -                               | 65        | 65        | 79        | 94*                      | 114                          | N204                   | 10                    | 4                            | 15.5 | 24    | 11.63 | 24    | 12.62 | 8   |   |
|                      | -                               | 20        | 20        | 36        | 43                       | 52                           |                        | 254                   | 102                          | 394  | 610   | 295   | 610   | 321   | 203 |   |
| N716-23-24-15.5G     | 100                             | 75        | 65        | 94        | -                        | 129                          | N204                   | 10                    | 4                            | 15.5 | 24    | 11.63 | 24    | 12.62 | 8   |   |
|                      | 30                              | 23        | 20        | 43        | -                        | 59                           |                        | 254                   | 102                          | 394  | 610   | 295   | 610   | 321   | 203 |   |
| N716-25-26-15.5B     | -                               | 75        | 75        | 90        | -                        | 125                          | N204                   | 10                    | 4                            | 15.5 | 25.5  | 11.63 | 26    | 13.62 | 8   |   |
|                      | -                               | 23        | 23        | 41        | -                        | 57                           |                        | 254                   | 102                          | 394  | 648   | 295   | 660   | 346   | 203 |   |
| N718-25-26-15.5G     | -                               | 100       | 100       | 96        | -                        | 131                          | N206                   | 12                    | 6                            | 15.5 | 25.5  | 13.63 | 26    | 13.62 | 10  |   |
|                      | -                               | 30        | 30        | 44        | -                        | 59                           |                        | 305                   | 152                          | 394  | 648   | 346   | 660   | 346   | 254 |   |
| ††N718-25-26-15.5 SD | -                               | 100       | 100       | 104       | -                        | 139                          | N206                   | 12                    | 6                            | 15.5 | 25.5  | 14.38 | 26    | 13.62 | 10  |   |
|                      | -                               | 30        | 30        | 47        | -                        | 63                           |                        | 305                   | 152                          | 394  | 648   | 365   | 660   | 345   | 254 |   |

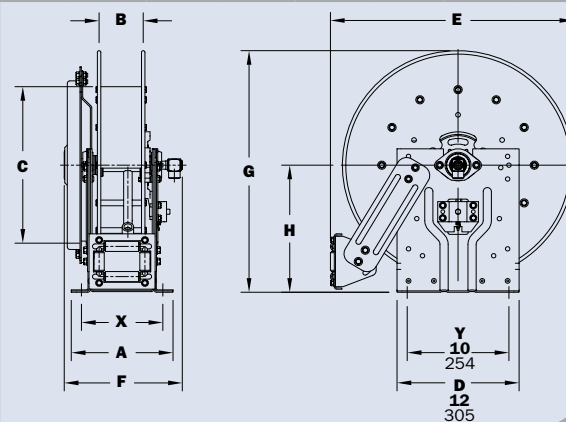
**Notes:**

**A hose stop is necessary to keep spring from unwinding.**

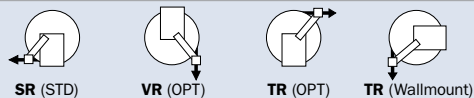
1. Specifications subject to change.
2. Reel models and capacities shown are for standard drag applications; for heavy-duty or vertical lift applications, consult factory.
3. Other sizes, from standard components, available on request.
4. **Finish:** Refer to page 3.
5. **Be sure to check dimensions and weights prior to ordering.**

**NOTICE:** A flexible connector must be used between the inlet pipe and the inlet swivel joint.

- \*Dimensional weight may apply when shipped as a parcel package (via FedEx or UPS Ground).
- \*\*\*X, Y indicate mounting holes. See page 5.
- †Capacity based on low pressure air hose only. Not for vertical lift applications.
- ††SD spring to be used for heavy-duty or vertical lift applications, consult factory.



**Available Roller Positions**



# Series PW-2

- Pressure Washing • Steam Cleaning • Spray Operations • Washdown
- Optional Mounting Kits

### To handle single 3/8" or 1/2" I.D. hose.

- Permanent direct crank rewind, with adjustable split bearing brake assembly.
- Standard inlet: full flow swivel joint with 1/2" NPT fitting.
- Standard outlet: 1/2" female NPT fitting, supplied with 1/2" MNPT to 3/8" FNPT reducing bushing. Other sizes and/or threads available, must specify.
- Pressures up to 5000 psi (345 bar). Flow rate of over 12 gpm @ 15 fps.
- Standard fluid temperatures from +32° F to +400 °F (0° C to +204° C). Optional temperature ratings available - consult factory.
- Captive (4-sided) hose guide roller assembly.
- Black powder coated finish.
- Optional stainless steel construction and internals – consult factory.



Optional PWK-200 mounting kit shown

### Optional Mounting Kits

Wall, floor, pivoting and non-pivoting options are available. Combination kits also available depending on installation. Must specify mounting position when ordering mounting kits (kits include hardware). Universal mounting pattern (2.75" x 5").

**PWK-200** – Rigid (non-pivoting) wall mounting. Floor mounting available, consult factory.

**PWK-300** – Mounting to 1" round tubing. Other tubing (round or square) sizes available, consult factory.

**PWK-400** – Wall mounting - ability to pivot the reel. Includes pivoting platform, knob, and mounting hardware. (Mounting hole pattern: 2.75" x 2.75").



Optional PWK-400 kit – wall installation shown

Optional PWK-400/300 combo kit – vertical tube installation shown

### PARTS DRAWING – ISO 193

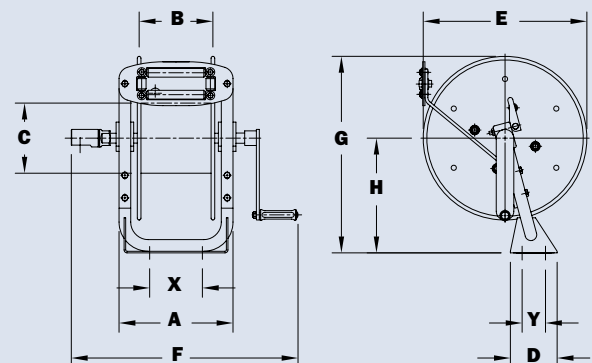
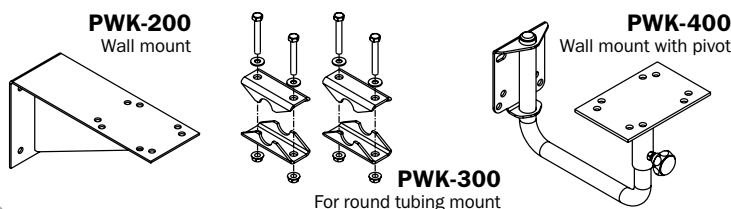
| Model Number | Hose Capacity of Reel<br>feet m |           |           | Approx. Weight<br>Crank Rewind<br>lb. kg |                              |                        | Reel Dimensions***<br>in. mm |     |     |     |       |     |       |     |     |      |
|--------------|---------------------------------|-----------|-----------|--|------------------------------|------------------------|------------------------------|-----|-----|-----|-------|-----|-------|-----|-----|------|
|              | I.D. in.<br>mm                  | 3/8<br>10 | 1/2<br>13 | NET                                      | UPS/<br>FedEx<br>SHIP<br>Wt. | Freight<br>SHIP<br>Wt. | A                            | B   | C   | D   | E     | F   | G     | H   | X   | Y    |
|              | O.D. in.<br>mm                  | 3/4<br>19 | 7/8<br>22 |  |                              |                        | 9                            | 6   | 6   | 4   | 16.75 | 17  | 18.25 | 10  | 5   | 2.75 |
| <b>PW-2</b>  |                                 | 125<br>38 | 75<br>23  | 26<br>12                                 | 58*<br>26                    | 32<br>15               | 229                          | 152 | 152 | 102 | 425   | 432 | 464   | 254 | 127 | 70   |

#### Notes:

1. Specifications subject to change.
2. **Finish:** Refer to page 3.
3. **Be sure to check dimensions and weights prior to ordering.**

**NOTICE:** A flexible connector must be used between the inlet pipe and the inlet swivel joint.  
\* When shipped as a parcel package (via FedEx or UPS Ground).  
\*\*\* X, Y indicate mounting holes. See page 2.

### MOUNTING KITS



# Series **VAC-5000** | Single Wrap Reel

• Vacuum/Suction

## To handle 2" through 4" I.D. hose

- Heavy-duty reel for longer lengths and large diameters of vacuum hose through 4".
- Choose gear driven crank rewind or chain and sprocket drive powered by an electric, hydraulic or compressed air motor.
- Standard: 90° ball bearing swivel joint with female NPT threads.
- Standard fluid temperatures from -20° F to +212 °F (-29° C to +100° C). Optional temperature ratings available - consult factory.

### Single Wrap Configuration:

Use where width dimension is minimal, such as between cab and tank, mounted transverse to frame of truck. Provides effortless and fast rewinding and wrapping of hose. Easy access to hose from both sides of vehicle.

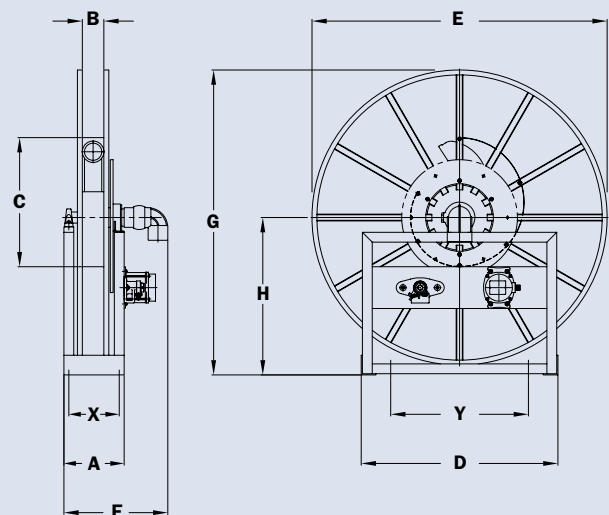


Standard configuration shown with Electric Rewind (EP) option (hose not included)

| Model Number<br><small>For power rewind see Note 2</small> | Hose Capacity of Reel<br>feet m |               |               |                | Approx. Weight<br>lb. kg |            | Reel Dimensions***<br>In. mm |             |           |           |           |           |           |           |              |           |
|--|---------------------------------|---------------|---------------|----------------|--------------------------|------------|------------------------------|-------------|-----------|-----------|-----------|-----------|-----------|-----------|--------------|-----------|
|  | I.D. in.<br>mm                  | 2<br>51       | 3<br>76       | 4<br>102       | NET                      | SHIP       | A                            | B           | C         | D         | E         | F         | G         | H         | X            | Y         |
|  | O.D. in.<br>mm                  | 2.51<br>63.75 | 3.60<br>91.44 | 4.70<br>119.38 |                          |            |                              |             |           |           |           |           |           |           |              |           |
| <b>VAC-5319-56-58-30</b>                                   | 50                              | -             | -             | -              | <b>390</b>               | <b>465</b> | <b>12.25</b>                 | <b>4.38</b> | <b>30</b> | <b>40</b> | <b>56</b> | <b>22</b> | <b>58</b> | <b>30</b> | <b>10.25</b> | <b>28</b> |
|  | 15                              | -             | -             | -              | 177                      | 211        | 311                          | 111         | 762       | 1016      | 1422      | 559       | 1473      | 762       | 260          | 711       |
| <b>VAC-5319-64-66-30</b>                                   | 75                              | -             | -             | -              | <b>410</b>               | <b>485</b> | <b>12.25</b>                 | <b>4.38</b> | <b>30</b> | <b>40</b> | <b>64</b> | <b>22</b> | <b>66</b> | <b>34</b> | <b>10.25</b> | <b>28</b> |
|  | 23                              | -             | -             | -              | 186                      | 220        | 311                          | 111         | 762       | 1016      | 1626      | 559       | 1676      | 864       | 260          | 711       |
| <b>VAC-5319-70-72-30</b>                                   | 100                             | -             | -             | -              | <b>420</b>               | <b>495</b> | <b>12.25</b>                 | <b>4.38</b> | <b>30</b> | <b>40</b> | <b>70</b> | <b>22</b> | <b>72</b> | <b>37</b> | <b>10.25</b> | <b>28</b> |
|  | 30                              | -             | -             | -              | 191                      | 225        | 311                          | 111         | 762       | 1016      | 1778      | 559       | 1829      | 940       | 260          | 711       |
| <b>VAC-5420-62-64-30</b>                                   | -                               | 50            | -             | -              | <b>415</b>               | <b>490</b> | <b>13.50</b>                 | <b>5.63</b> | <b>30</b> | <b>40</b> | <b>62</b> | <b>25</b> | <b>64</b> | <b>33</b> | <b>11.50</b> | <b>28</b> |
|  | -                               | 15            | -             | -              | 188                      | 222        | 343                          | 143         | 762       | 1016      | 1575      | 635       | 1626      | 838       | 292          | 711       |
| <b>VAC-5420-74-76-30</b>                                   | -                               | 75            | -             | -              | <b>430</b>               | <b>505</b> | <b>13.50</b>                 | <b>5.63</b> | <b>30</b> | <b>40</b> | <b>74</b> | <b>25</b> | <b>76</b> | <b>39</b> | <b>11.50</b> | <b>28</b> |
|  | -                               | 23            | -             | -              | 195                      | 229        | 343                          | 143         | 762       | 1016      | 1880      | 635       | 1930      | 991       | 292          | 711       |
| <b>VAC-5420-80-82-30</b>                                   | -                               | 100           | -             | -              | <b>438</b>               | <b>513</b> | <b>13.50</b>                 | <b>5.63</b> | <b>30</b> | <b>40</b> | <b>80</b> | <b>25</b> | <b>82</b> | <b>42</b> | <b>11.50</b> | <b>28</b> |
|  | -                               | 30            | -             | -              | 199                      | 233        | 343                          | 143         | 762       | 1016      | 2032      | 635       | 2083      | 1067      | 292          | 711       |
| <b>VAC-5420-68-70-30</b>                                   | -                               | -             | 50            | -              | <b>422</b>               | <b>497</b> | <b>13.50</b>                 | <b>5.63</b> | <b>30</b> | <b>40</b> | <b>68</b> | <b>25</b> | <b>70</b> | <b>36</b> | <b>11.50</b> | <b>28</b> |
|  | -                               | -             | 15            | -              | 191                      | 225        | 343                          | 143         | 762       | 1016      | 1727      | 635       | 1778      | 914       | 292          | 711       |

**Notes:**

1. Specifications subject to change.
  2. When ordering power rewind models, prefix model number with:
    - A** = Air Rewind – Supplied with control valve and 18" air hose.
    - EP** = Electric Rewind (1/2 HP) – 12v and 24v DC rewind reels are supplied with switch and solenoid; 115v AC rewind reels are not supplied with switch but can be ordered separately.
    - HD** = Hydraulic Rewind – Not supplied with control valve.
  3. Clutch/reduction unit available upon request.
  4. **Finish:** Refer to page 27.
  5. **Be sure to check dimensions and weights prior to ordering.**
- NOTICE:** A flexible connector must be used between the inlet pipe and the inlet swivel joint.  
 \*\*\* X, Y indicate mounting holes which are 5/8" diameter.



**To handle 2" through 4" I.D. hose**

The VAC Series reel is designed to store and handle vacuum hose up to 4" ID. The VAC Series reel offers a variety of different mounting configurations depending on tank/truck size constraints, and provides effortless rewinding and storage of hose.

**Standard Features:**

- 2" channel frame construction for over-road durability.
- Spoked discs provide optimal combination of strength and weight savings.
- Smooth unwind/rewind operation with dual, sealed bearings.
- Manual rewind is standard.
- Positive engagement pin lock brake is standard.
- Easy access to hose from both sides of reel.

**Options:**

- Optional electric rewind (available in 12, 24 or 115V configurations) air or hydraulic.



Standard configuration shown  
with Electric Rewind (EP) option  
(hose not included)

**ORDERING INFORMATION:**

Contact Hannay Reels Inside Sales Department at: 877-467-3357 or email [reels@hannay.com](mailto:reels@hannay.com) for more information on options available. Be sure to provide detailed specifications on hose type, ID/OD, length, rewind preference and any other important specifications when ordering.

# Series **VAC-9000** | Multit-Wrap Reel

- Vacuum/Suction

## To handle 2" through 4" I.D. hose

- Heavy-duty reel for longer lengths and large diameters of vacuum hose through 4".
- Choose gear driven crank rewind or chain and sprocket drive powered by an electric, hydraulic or compressed air motor.
- Standard: 90° ball bearing swivel joint with female NPT threads.
- Standard fluid temperatures from -20° F to +212 °F (-29° C to +100° C). Optional temperature ratings available - consult factory.

### Multi-Wrap Configuration:

Use where single wrap reels are too large in diameter, or cabinet/mounting space dictates a wider/lower configuration or dimensional requirements. Requires guiding of hose for optimal hose capacity. Also for installations requiring longer lengths of hose.



Standard configuration shown with Electric Rewind (EP) option



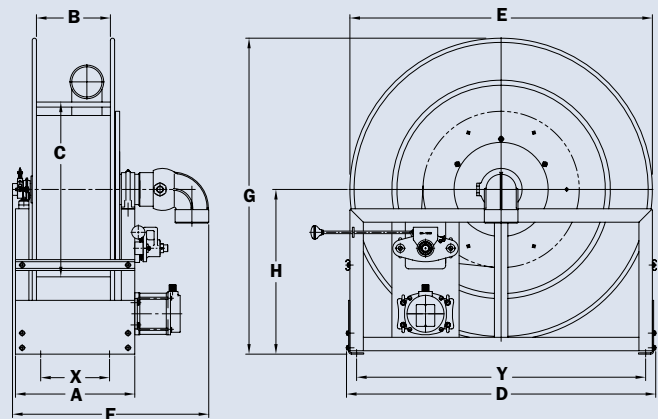
Mult-Wrap Reel | Series **VAC-9000**

• Vacuum/Suction

| Model Number<br><small>For power rewind see Note 3</small> | Hose Capacity of Reel<br>feet m |            |            |             | Approx. Weight<br>lb. kg |      | Reel Dimensions***<br>in. mm |       |     |       |       |       |       |       |       |       |
|--|---------------------------------|------------|------------|-------------|--------------------------|------|------------------------------|-------|-----|-------|-------|-------|-------|-------|-------|-------|
|  | I.D. in.<br>mm                  | 2<br>51    | 3<br>76    | 4<br>102    | NET                      | SHIP | A                            | B     | C   | D     | E     | F     | G     | H     | X     | Y     |
|  | O.D. in.<br>mm                  | 2.51<br>64 | 3.60<br>91 | 4.70<br>119 |                          |      |                              |       |     |       |       |       |       |       |       |       |
| VAC-9334-33-34-20  |                                 | 50         | -          | -           | 160                      | 230  | 26.25                        | 20    | 20  | 31.50 | 31.75 | 36.25 | 33.88 | 18    | 18.75 | 27.75 |
|  |                                 | 15         | -          | -           | 73                       | 104  | 667                          | 508   | 508 | 800   | 806   | 921   | 861   | 457   | 476   | 705   |
| VAC-9340-33-34-20  |                                 | 75         | -          | -           | 200                      | 270  | 32.25                        | 26    | 20  | 31.50 | 31.75 | 42.25 | 33.88 | 18    | 24.75 | 27.75 |
|  |                                 | 23         | -          | -           | 91                       | 122  | 819                          | 660   | 508 | 800   | 806   | 1073  | 861   | 457   | 629   | 705   |
| VAC-9344-33-34-20  |                                 | 100        | -          | -           | 225                      | 295  | 35.75                        | 29.50 | 20  | 31.50 | 31.75 | 46.75 | 33.88 | 18    | 28.25 | 27.75 |
|  |                                 | 30         | -          | -           | 102                      | 133  | 908                          | 749   | 508 | 800   | 806   | 1187  | 861   | 457   | 718   | 705   |
| VAC-9330-39-40-20  |                                 | 50         | -          | -           | 188                      | 258  | 21.75                        | 15.50 | 20  | 40    | 39    | 31.75 | 40.38 | 20.88 | 14.25 | 36.75 |
|  |                                 | 15         | -          | -           | 85                       | 117  | 552                          | 394   | 58  | 1016  | 991   | 806   | 1026  | 530   | 362   | 933   |
| VAC-9332-39-40-20  |                                 | 75         | -          | -           | 200                      | 270  | 23.75                        | 17.50 | 20  | 40    | 39    | 33.75 | 40.38 | 20.88 | 16.25 | 36.75 |
|  |                                 | 23         | -          | -           | 91                       | 122  | 603                          | 445   | 508 | 1016  | 991   | 857   | 1026  | 530   | 413   | 933   |
| VAC-9334-39-40-20  |                                 | 100        | -          | -           | 212                      | 282  | 26.25                        | 20    | 20  | 40    | 39    | 36.25 | 40.38 | 20.88 | 18.75 | 36.75 |
|  |                                 | 30         | -          | -           | 96                       | 128  | 667                          | 508   | 508 | 1016  | 991   | 921   | 1026  | 530   | 476   | 933   |
| VAC-9332-45-46-20  |                                 | 150        | -          | -           | 350                      | 420  | 23.75                        | 17.5  | 20  | 46    | 45    | 33.75 | 46.38 | 23.88 | 16.25 | 42.75 |
|  |                                 | 46         | -          | -           | 159                      | 191  | 306                          | 445   | 508 | 1168  | 1143  | 857   | 1178  | 607   | 413   | 1086  |
| VAC-9336-45-46-20  |                                 | 200        | -          | -           | 375                      | 445  | 28.25                        | 22    | 20  | 46    | 45    | 38.25 | 46.38 | 23.88 | 20.75 | 42.75 |
|  |                                 | 61         | -          | -           | 170                      | 202  | 718                          | 559   | 508 | 1168  | 1143  | 972   | 1178  | 607   | 527   | 1086  |
| VAC-9340-45-46-20  |                                 | 250        | -          | -           | 400                      | 470  | 32.25                        | 26    | 20  | 46    | 45    | 42.25 | 46.38 | 23.88 | 24.75 | 42.75 |
|  |                                 | 76         | -          | -           | 181                      | 213  | 819                          | 660   | 508 | 1168  | 1143  | 1073  | 1178  | 607   | 629   | 1086  |
| VAC-9344-45-46-20  |                                 | 300        | -          | -           | 425                      | 495  | 35.75                        | 29.50 | 20  | 46    | 45    | 45.75 | 46.38 | 23.88 | 28.25 | 42.75 |
|  |                                 | 91         | -          | -           | 192                      | 225  | 908                          | 748   | 508 | 1168  | 1143  | 1162  | 1178  | 607   | 718   | 1086  |
| VAC-9438-39-40-24  |                                 | -          | 50         | -           | 250                      | 320  | 30.25                        | 24    | 24  | 40    | 39    | 41.5  | 41    | 21.50 | 22.75 | 36.75 |
|  |                                 | -          | 15         | -           | 113                      | 145  | 768                          | 61    | 610 | 1016  | 991   | 1054  | 1041  | 546   | 578   | 933   |
| VAC-9444-39-40-24  |                                 | -          | 75         | -           | 280                      | 350  | 35.75                        | 29.50 | 24  | 40    | 39    | 47    | 41    | 21.50 | 28.25 | 36.75 |
|  |                                 | -          | 23         | -           | 127                      | 159  | 908                          | 749   | 610 | 1016  | 991   | 1194  | 1041  | 546   | 718   | 933   |
| VAC-9434-48-50-24  |                                 | -          | 100        | -           | 270                      | 340  | 26.25                        | 20    | 24  | 49    | 48    | 37.50 | 50.50 | 26.50 | 18.75 | 45.75 |
|  |                                 | -          | 30         | -           | 122                      | 154  | 667                          | 508   | 610 | 1245  | 1219  | 953   | 1283  | 673   | 476   | 1162  |
| VAC-9448-48-50-24  |                                 | -          | 150        | 50          | 320                      | 390  | 40.25                        | 34    | 24  | 49    | 48    | 51.50 | 50.50 | 26.50 | 32.75 | 45.75 |
|  |                                 | -          | 46         | 15          | 145                      | 177  | 1022                         | 864   | 610 | 1245  | 1219  | 1308  | 1283  | 673   | 832   | 1162  |
| VAC-9444-56-58-24  |                                 | -          | 200        | 75          | 375                      | 445  | 35.75                        | 29.50 | 24  | 57    | 56    | 47    | 58    | 30    | 28.25 | 53.75 |
|  |                                 | -          | 61         | 23          | 170                      | 202  | 908                          | 749   | 610 | 1448  | 1422  | 1194  | 1473  | 762   | 718   | 1264  |
| VAC-9450-56-58-24  |                                 | -          | 250        | 100         | 411                      | 481  | 42.25                        | 36    | 24  | 57    | 56    | 53.50 | 58    | 30    | 34.75 | 53.75 |
|  |                                 | -          | 76         | 30          | 186                      | 218  | 1073                         | 914   | 610 | 1448  | 1422  | 1359  | 1473  | 762   | 883   | 1264  |
| VAC-9456-56-58-24  |                                 | -          | 300        | 150         | 447                      | 517  | 48.25                        | 42    | 24  | 57    | 56    | 60.50 | 58    | 30    | 40.75 | 53.75 |
|  |                                 | -          | 91         | 46          | 203                      | 235  | 1226                         | 1066  | 610 | 1448  | 1422  | 1537  | 1473  | 762   | 1035  | 1264  |

**Notes:**

- Specifications subject to change.
  - Upon request, reels can be supplied with drum lengths other than shown and with disc sizes in other diameters.
  - When ordering power rewind models, prefix model number with:
    - A** = Air Rewind – Supplied with control valve and 18" air hose.
    - EP** = Electric Rewind (1/2 HP) – 12v and 24v DC rewind reels are supplied with switch and solenoid; 115v AC rewind reels are not supplied with switch but can be ordered separately.
    - HD** = Hydraulic Rewind – Not supplied with control valve.
  - Clutch/reduction unit available upon request.
  - Finish:** Refer to page 27.
  - Be sure to check dimensions and weights prior to ordering.**
- NOTICE:** A flexible connector must be used between the inlet pipe and the inlet swivel joint.  
 \*\*\*X, Y indicate mounting holes. See page 2.



# Accessories

- Utility Hose Rollers • Hose Guides • Hose Stops

## HG-15 hose guide for small frame models.

- Available for our 1500 and 1600 Series reels.
- Simple design to rewind hose evenly and neatly every time.
- No need to handle a dirty or contaminated hose.
- Powder coated bracket, stainless steel guide rods and nylon rollers assure long service life.
- Designed for aftermarket installation.

### Hose Guide Kit – HGK-15 Hannay

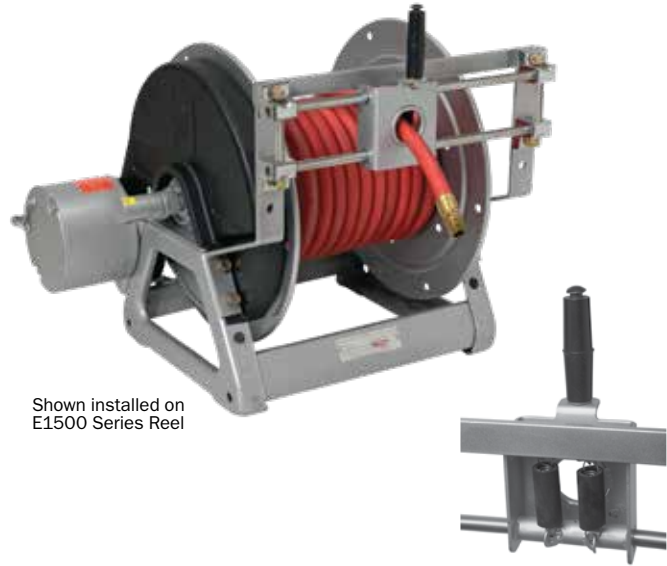
Part No. 9956.2200

Kit includes HG-15 Hose Guide, handle grip, 2 stainless steel guide rods, 4 mounting blocks, steel mounting bracket set, and all mounting hardware.

### Hose Guide – HG-15 Hannay

Part No. 9956.2000

Assembled black powder coated hose guide and handle grip. You must specify reel model when ordering.



Shown installed on E1500 Series Reel

Back view of HG-15

## Utility Hose Rollers

Stainless steel rollers and cast alloy brackets for use on the reel, on cabinet door openings, truck platforms and similar locations where sharp edges may cut or damage hose/cable.

Specifications: 1-1/2" diameter stainless steel roller, stainless steel rod, Delrin bearings, alloy brackets and required fasteners.

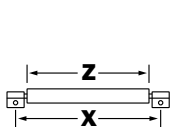
**To Order:** specify Assembly A, B, or C, and give distance between each pair of mounting holes (Dimensions X and Y) and length of each roller (Dimensions W and Z). W=Vertical Roller Length, Z=Horizontal Roller Length.

**Also available factory installed on the reel.**

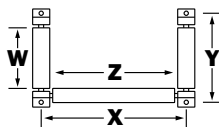


C Shown

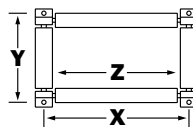
C2 Shown



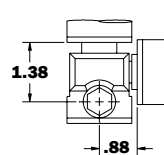
Assembly A/A2



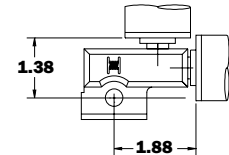
Assembly B/B2



Assembly C/C2



Assembly C



Assembly C2

## Hose Stops

Necessary with spring rewind reels and 4-way roller assemblies.

**To Order:** specify the outside diameter (O.D.) of your hose.

**Also available factory installed on the reel.**



HS-35



HS-45

# Series **H16-14-16**

- Pipe/Drain Cleaning • High Pressure
- For Residential and Light Commercial Use

**To handle 1/4" I.D. hose.**

- All steel construction.
- Quality swivel joint.
- Tension brake.
- Equipped with one durable rubber twist tie for cable ends.
- Manual rewind.
- Standard pressure 5000 psi (345 bar).
- Standard fluid temperatures from -40° F to +250 °F (-40° C to +121° C). Optional temperature ratings available - consult factory.



Standard configuration shown



**H16-14-16 Series includes one durable rubber twist tie for cable ends.**

Part No. 9949.0082

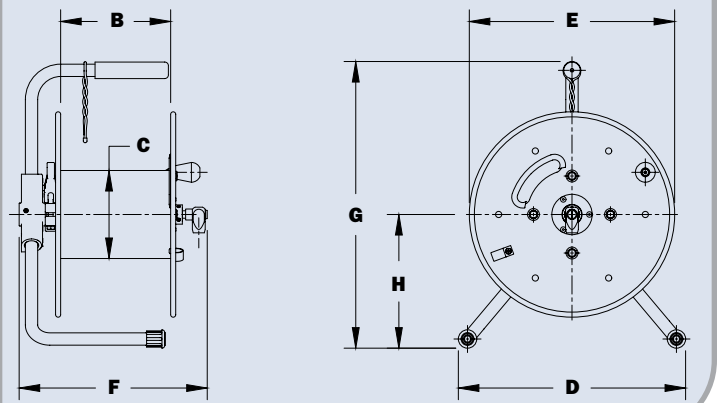
**PARTS DRAWING – ISO 235**

| Model Number     | Hose Capacity of Reel<br>feet m |            |            | Approx. Weight<br>lb. kg |            | Reel Dimensions<br>in. mm |          |              |           |           |              |             |
|------------------|---------------------------------|------------|------------|--------------------------|------------|---------------------------|----------|--------------|-----------|-----------|--------------|-------------|
|                  | I.D. in.<br>mm                  | 1/4<br>6   | 3/8<br>10  | NET                      | SHIP       | B                         | C        | D            | E         | F         | G            | H           |
|                  | O.D. in.<br>mm                  | 5/8<br>16  | x/x<br>xx  |                          |            |                           |          |              |           |           |              |             |
| <b>H16-14-16</b> |                                 | <b>150</b> | –          | <b>18</b>                | <b>23*</b> | <b>7.5</b>                | <b>6</b> | <b>15.50</b> | <b>14</b> | <b>13</b> | <b>19.50</b> | <b>9.13</b> |
|                  |                                 | 46         | –          | 8                        | 10         | 191                       | 152      | 394          | 356       | 330       | 495          | 232         |
| <b>H16-14-16</b> |                                 | –          | <b>100</b> | <b>18</b>                | <b>23*</b> | <b>7.5</b>                | <b>6</b> | <b>15.50</b> | <b>14</b> | <b>14</b> | <b>19.50</b> | <b>9.13</b> |
|                  |                                 | –          | 30         | 8                        | 10         | 191                       | 152      | 394          | 356       | 356       | 495          | 232         |

**Notes:**

1. Specifications subject to change.
2. **Finish:** Refer to page 27.
3. **Be sure to check dimensions and weights prior to ordering.**

\* Dimensional weight may apply when shipped as a parcel package (via FedEx or UPS Ground).



# Series **1100/AT1200**

- Grounds Maintenance • Restaurants/Hotels
- Washdown Operations • Home Use

**To handle 3/8" through 1" I.D. hose.**

- Continuous flow reels with swivel joint inlet, fluid hub, outlet riser.
- Direct crank rewind and cam-lock drag brake.
- One-piece foot and removable steel handlebar.
- **GH** prefix to model number (e.g., GH1100, GHAT1200) includes garden hose thread on outlet, 5' lead-in hose, hose end clips.

**Model 1100**

- Standard inlet: 90° ball bearing swivel joint, 1/2" female NPT threads.
- Standard outlet: 1/2" female NPT threads.
- Pressures to 3000 psi (207 bar).
- Standard fluid temperatures from +32° F to +400 °F (0° C to +204° C). Optional temperature ratings available - consult factory.
- Rubber tires standard. Oversized pneumatic tires available specify "AT" in model number when ordering.

**Model 1200**

- Standard inlet: 90° balance pressure swivel joint, 1" female NPT threads.
- Standard outlet: 1" female NPT threads.
- Standard pressures to 2000 psi (138 bar), available up to 4000 psi (276 bar) – must specify.
- Standard fluid temperatures from -40° F to +250 °F (-40° C to +121° C). Optional temperature ratings available - consult factory.
- Pneumatic tires standard.



**Model 1100**  
Standard configuration shown



**Model AT1200**  
Standard configuration shown

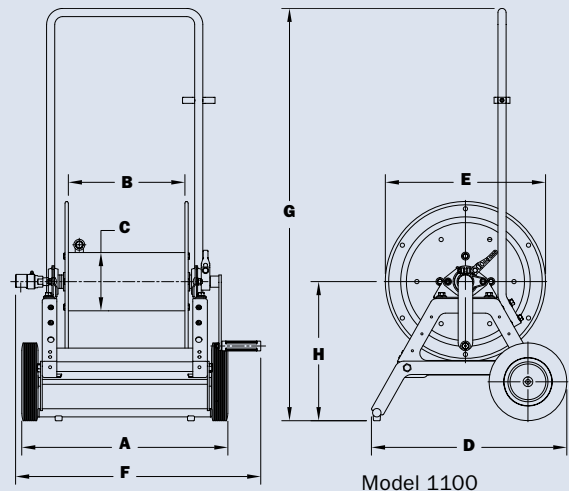
**PARTS DRAWING – 1100–ISO 48; AT1200–ISO 87**

| Model Number  | Hose Capacity of Reel<br>feet m |            |            |            |              |              | Approx. Weight<br>lb. kg |             | Reel Dimensions<br>In. mm |             |          |              |              |              |             |              |
|---------------|---------------------------------|------------|------------|------------|--------------|--------------|--------------------------|-------------|---------------------------|-------------|----------|--------------|--------------|--------------|-------------|--------------|
|               | I.D. in.<br>mm                  | 3/8<br>10  | 1/2<br>13  | 5/8<br>16  | 3/4<br>19    | 1<br>25      | NET                      | SHIP        | A                         | B           | C        | D            | E            | F            | G           | H            |
|               | O.D. in.<br>mm                  | 3/4<br>19  | 7/8<br>22  | 1<br>25    | 1-9/32<br>33 | 1-9/16<br>40 |                          |             |                           |             |          |              |              |              |             |              |
| <b>1100</b>   |                                 | <b>275</b> | <b>175</b> | <b>125</b> | -            | -            | <b>47</b>                | <b>100*</b> | <b>21.25</b>              | <b>12</b>   | <b>6</b> | <b>20.12</b> | <b>16.5</b>  | <b>25.25</b> | <b>42.5</b> | <b>14.38</b> |
|               |                                 | 84         | 53         | 38         | -            | -            | 21                       | 46          | 540                       | 305         | 152      | 511          | 419          | 641          | 1080        | 365          |
| <b>AT1200</b> |                                 | -          | <b>350</b> | <b>250</b> | <b>150</b>   | <b>100</b>   | <b>86</b>                | <b>147*</b> | <b>25.88</b>              | <b>11.5</b> | <b>8</b> | <b>22.62</b> | <b>22.75</b> | <b>27</b>    | <b>42.5</b> | <b>18.12</b> |
|               |                                 | -          | 107        | 76         | 46           | 30           | 39                       | 67          | 657                       | 292         | 203      | 575          | 578          | 686          | 1080        | 460          |

**Notes:**

1. Specifications subject to change.
2. Some assembly required.
3. **Finish:** Refer to page 27.
4. **Be sure to check dimensions and weights prior to ordering.**

\*Dimensional weight applies when shipped as a parcel package (via FedEx or UPS Ground).



# Series **AT1300**

• Video Pipeline Inspection • Power Supply

**To handle live electric cable.**

- Direct crank rewind reel.
- Adjustable cam-lock drag brake.
- 3-conductor, 45-amp collector ring is standard.
- 6-foot power source lead of 10/3 cable.
- 15 amp, 3-prong straight blade (twist lock optional).
- Additional conductors available, consult factory.
- Direct offset rewind crank.
- Folding handle available for compact storage.



**Optional Folding Handle**  
For compact storage



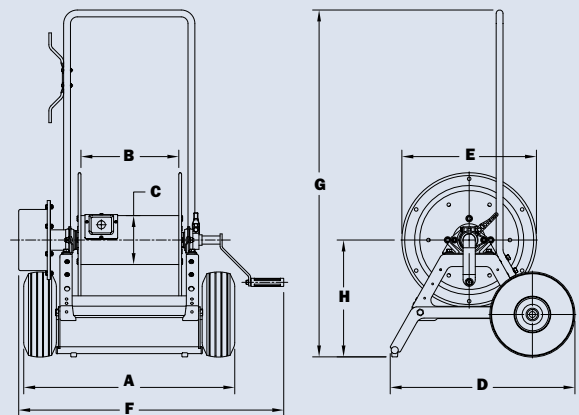
Standard configuration shown

**PARTS DRAWING – ISO 189**

| Model Number  | Cable Capacity of Reel<br>feet m |                            |            |           | Approx. Weight<br>lb. kg |              | Reel Dimensions<br>in. mm |          |              |             |             |             |              |   |
|---------------|----------------------------------|----------------------------|------------|-----------|--------------------------|--------------|---------------------------|----------|--------------|-------------|-------------|-------------|--------------|---|
|               | O.D. in.<br>mm                   | Gauge/Number of Conductors |            |           | NET                      | SHIP         | A                         | B        | C            | D           | E           | F           | G            | H |
|               |                                  | 14/3                       | 12/3       | 10/3      |                          |              |                           |          |              |             |             |             |              |   |
| <b>AT1300</b> | <b>500</b>                       | <b>400</b>                 | <b>300</b> | <b>70</b> | <b>102</b>               | <b>25.88</b> | <b>12</b>                 | <b>6</b> | <b>22.62</b> | <b>16.5</b> | <b>32.5</b> | <b>42.5</b> | <b>14.38</b> |   |
|               | 152                              | 122                        | 91         | 32        | 46                       | 657          | 305                       | 152      | 575          | 419         | 825         | 1080        | 365          |   |

**Notes:**

1. Specifications subject to change.
2. **Finish:** Refer to page 27.
3. **Be sure to check dimensions and weights prior to ordering.**



## Series CR

• Pipeline Inspection • Sensor Cable • Power Supply

### To handle live electric cable.

- 3-conductor, 45-amp, 600-volt collector assembly with #8 gauge wiring.
- Double brushes per circuit. Brushes are copper graphite, copper alloy rings.
- Additional conductors or higher amperage (up to 100 amps) are available at extra cost, must be specified. (300 amps possible with custom design.)
- Silver collector assemblies are available.
- Rollers and roller mounting brackets are accessory items. Specify roller position.

#### Series CR1600

- Removable direct crank rewind.
- Adjustable cam-lock drag brake.

#### Series ECR1600

- Optional strap brake is available.
- Some roller options may prohibit the use of our molded chain guard.

#### Series CR6600

- Gear-driven crank rewind.

#### Series ECR6600

- Chain and sprocket drive powered by electric, compressed air or hydraulic motor.
- Auxiliary rewind and pinion brake standard.
- Consult factory for other brakes.
- Optional chain guards are available upon request.



**Series CR1600–Manual Rewind**  
Standard configuration shown



**Series ECR1600–Electric Rewind (E)**  
Standard configuration shown



**Series ECR6600–Electric Rewind (E)**  
Optional left top configuration shown



#### Optional External Mounting Brackets

Part No. 9906.0025.  
Available for CR1600 and ECR1600 models.

# Series CR

• Pipeline Inspection • Sensor Cable • Power Supply

**PARTS DRAWING: SERIES CR1600 – ISO 76, SERIES CR6600 – ISO 45**

| Model Number<br><small>For power rewind see Note 5</small> | Cable Capacity of Reel<br>feet m |                       |            |            |            | Approx. Weight<br>Crank Rewind<br>lb. kg |            | Reel Dimensions***<br>in. mm |            |             |              |              |              |            |              |              |              |             |              |   |
|--|----------------------------------|-----------------------|------------|------------|------------|--|------------|------------------------------|------------|-------------|--------------|--------------|--------------|------------|--------------|--------------|--------------|-------------|--------------|---|
|  | O.D. in.<br>O.D. mm              | Ga./No. of Conductors |            |            |            |  | NET        | SHIP                         | A          | B           | C            | D            | E<br>CRANK   | E<br>POWER | F<br>CRANK   | F<br>POWER   | G            | H           | X            | Y |
|  |                                  | 12/3                  | 10/3       | 8/3        | 12/4       | 10/4                                     |            |                              |            |             |              |              |              |            |              |              |              |             |              |   |
| <b>CR1614-17-18</b>  | <b>175</b>                       | <b>100</b>            | -          | <b>100</b> | <b>100</b> | <b>30</b>                                | <b>68*</b> | <b>11</b>                    | <b>6</b>   | <b>6</b>    | <b>14.12</b> | <b>16.5</b>  | <b>19</b>    | <b>23</b>  | <b>16.75</b> | <b>18.12</b> | <b>9.88</b>  | <b>9.5</b>  | <b>10</b>    |   |
|  | 53                               | 30                    | -          | 30         | 30         | 14                                       | 31         | 279                          | 152        | 152         | 359          | 419          | 483          | 584        | 425          | 460          | 251          | 241         | 254          |   |
| <b>CR1616-17-18</b>  | <b>200</b>                       | <b>150</b>            | -          | <b>150</b> | <b>150</b> | <b>32</b>                                | <b>68*</b> | <b>13</b>                    | <b>8</b>   | <b>6</b>    | <b>14.12</b> | <b>16.5</b>  | <b>19</b>    | <b>25</b>  | <b>18.75</b> | <b>18.12</b> | <b>9.88</b>  | <b>11.5</b> | <b>10</b>    |   |
|  | 61                               | 46                    | -          | 46         | 46         | 15                                       | 31         | 330                          | 203        | 152         | 359          | 419          | 483          | 635        | 476          | 460          | 251          | 292         | 254          |   |
| <b>CR1618-17-18</b>  | <b>275</b>                       | <b>200</b>            | -          | <b>200</b> | <b>200</b> | <b>33</b>                                | <b>80*</b> | <b>15</b>                    | <b>10</b>  | <b>6</b>    | <b>14.12</b> | <b>16.5</b>  | <b>19</b>    | <b>27</b>  | <b>20.75</b> | <b>18.12</b> | <b>9.88</b>  | <b>13.5</b> | <b>10</b>    |   |
|  | 84                               | 61                    | -          | 61         | 61         | 15                                       | 36         | 381                          | 254        | 152         | 359          | 419          | 483          | 686        | 527          | 460          | 251          | 343         | 254          |   |
| <b>CR1620-17-18</b>  | <b>350</b>                       | <b>250</b>            | -          | <b>250</b> | <b>225</b> | <b>34</b>                                | <b>80*</b> | <b>17</b>                    | <b>12</b>  | <b>6</b>    | <b>14.12</b> | <b>16.5</b>  | <b>19</b>    | <b>29</b>  | <b>22.75</b> | <b>18.12</b> | <b>9.88</b>  | <b>15.5</b> | <b>10</b>    |   |
|  | 107                              | 76                    | -          | 76         | 69         | 15                                       | 36         | 432                          | 305        | 152         | 359          | 419          | 483          | 737        | 578          | 460          | 251          | 394         | 254          |   |
| <b>CR6614-19-20-10.5</b>                                   | <b>150</b>                       | <b>100</b>            | -          | -          | -          | <b>113</b>                               | <b>148</b> | <b>11</b>                    | <b>5.5</b> | <b>10.5</b> | <b>20.5</b>  | <b>22</b>    | <b>22</b>    | <b>16</b>  | <b>16</b>    | <b>21.5</b>  | <b>12.12</b> | <b>5.75</b> | <b>16.75</b> |   |
|  | 46                               | 30                    | -          | -          | -          | 51                                       | 67         | 279                          | 140        | 267         | 521          | 559          | 559          | 406        | 406          | 546          | 308          | 146         | 425          |   |
| <b>CR6614-23-24-10.5</b>                                   | <b>300</b>                       | <b>225</b>            | <b>175</b> | -          | -          | <b>120</b>                               | <b>155</b> | <b>11</b>                    | <b>5.5</b> | <b>10.5</b> | <b>20.5</b>  | <b>23</b>    | <b>23</b>    | <b>16</b>  | <b>16</b>    | <b>23.5</b>  | <b>12.12</b> | <b>5.75</b> | <b>16.75</b> |   |
|  | 91                               | 69                    | 53         | -          | -          | 54                                       | 70         | 279                          | 140        | 267         | 521          | 584          | 584          | 406        | 406          | 597          | 308          | 146         | 425          |   |
| <b>CR6614-25-26-10.5</b>                                   | <b>350</b>                       | <b>250</b>            | <b>200</b> | -          | -          | <b>133</b>                               | <b>168</b> | <b>11</b>                    | <b>5.5</b> | <b>10.5</b> | <b>25.5</b>  | <b>24.75</b> | <b>24.75</b> | <b>16</b>  | <b>16</b>    | <b>27.88</b> | <b>15.5</b>  | <b>5.75</b> | <b>21.75</b> |   |
|  | 107                              | 76                    | 61         | -          | -          | 60                                       | 76         | 279                          | 140        | 267         | 648          | 629          | 629          | 406        | 406          | 708          | 394          | 146         | 552          |   |

**Notes:**

- Specifications subject to change.
- Upon request, reels can be supplied with drum lengths other than shown and with disc sizes in other diameters.
- Dimensions reflect pressed frames.
- Weights shown in chart are for crank rewind models. Add these amounts for power rewind models:

| Series CR1600 | Net lbs/kg | Ship lbs/kg |
|---------------|------------|-------------|
| Electric      | 18/8.2     | 18/8.2      |
| Hydraulic     | 15/6.8     | 15/6.8      |
| Air           | 15/6.8     | 15/6.8      |

| Series CR6600     | Net lbs/kg | Ship lbs/kg |
|-------------------|------------|-------------|
| Electric (1/3 HP) | 18/8.2     | 18/8.2      |
| Electric (1/2 HP) | 40/18.1    | 40/18.1     |
| Hydraulic         | 20/9.1     | 20/9.1      |
| Air               | 20/9.1     | 20/9.1      |

- When ordering power rewind models, prefix model number with:  
**A** = Air Rewind  
**E** = Electric Rewind  
 (Series CR1600 & CR6600)  
**EP** = Electric Rewind (Series CR6600)  
**HD** = Hydraulic Rewind  
 (Air rewind reels are supplied with control valve and 18" air hose; 12v and 24v DC rewind reels are supplied with switch and solenoid; 115v AC rewind reels are not supplied with switch but can be ordered separately; hydraulic rewind reels are not supplied with control valve.)

6. Add 2-1/8" to "A" dimension when using external mounting brackets on CR1600, ECR1600 Series reels.

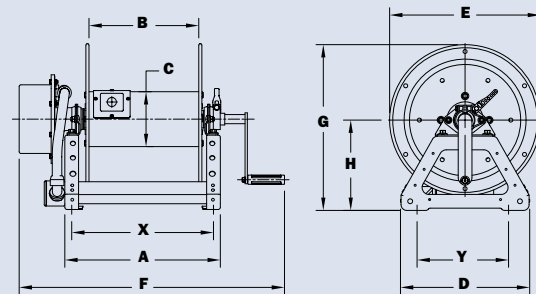
7. When ordering reels with a 4 conductor, add 2" to "F" dimensions.

8. **Finish:** Refer to page 27.

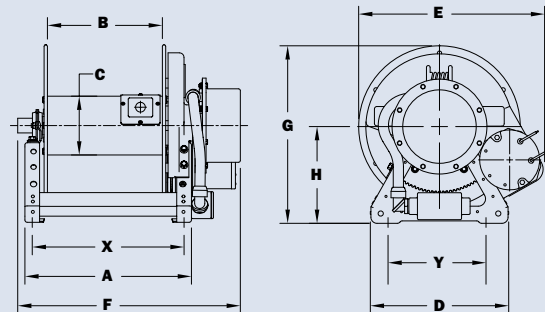
9. **Be sure to check dimensions and weights prior to ordering.**

\* Dimensional weight applies when shipped as a parcel package (via FedEx or UPS Ground).

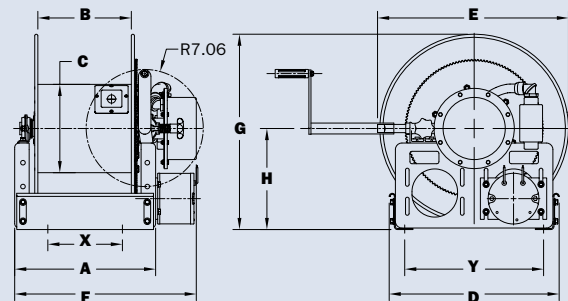
\*\*\*X, Y indicate mounting holes. See page 2.



Series CR1600 (manual rewind)



Series ECR1600 (power rewind)



Series CR6600 (power rewind)

# Static Grounding Reels

- Rescue and HazMat Operations • Aircraft Refueling
- Chemical Plants • Grain Elevators

## WARNING

These reels are for static grounding ONLY. NOT intended for lightning protection!

### For refueling or hazardous areas.

- These reels bond and/or ground aircraft, fuel trucks, and other equipment.
- Provide smooth operation and require minimum cable pull.
- Declutching arbor and adjustable guide arm with cable guide.
- Optional stainless steel construction of spool, frame, and ratchet system available on HGR Series.
- Standard finish is oven-cured enamel.
- Also available, manual rewind version. All shown with optional cable and/or "Y" branch.



**Model HGR50**  
(Shown with optional "Y" branch)



**Model SSHGR50**  
(Optional unpolished stainless steel HGR50)



**Model MHGR50**



**Model HGR100**



**Model MHGR100**



**Model GR75**



**Model MGR75**



# Series GR/HGR

- Available with 1/8", 7 x 19 galvanized carbon steel cable.
- 100 amp alligator clamp.
- Stainless steel or plastic-covered cable and "Y" branches are available at an additional charge.
- Cable guide arm of cast aluminum and ZA-12 aluminum zinc alloy.

### Series GR75

- Sealed spring is a good economical choice that's compact and lightweight.

### Series HGR

- A non-sparking ratchet assembly.
- Reels are repairable and parts are readily available.
- Supplied with 18" long grounding strap with eyelet connectors on both ends.

### Parts Drawings: HGR Series – ISO 10 and MHGR Series – ISO 234

| Model Number     | Cable Capacity of Reel<br>feet m | Approx. Weight<br>lb. kg |            | Reel Dimensions***<br>in. mm |             |              |             |              |             |              |             |             |             |
|------------------|----------------------------------|--------------------------|------------|------------------------------|-------------|--------------|-------------|--------------|-------------|--------------|-------------|-------------|-------------|
|                  |                                  | Without Cable            | With Cable | A                            | B           | C            | D           | E            | F           | G            | H           | X           | Y           |
| <b>GR75</b>      | <b>75</b>                        | <b>11</b>                | <b>14*</b> | <b>2</b>                     | <b>2</b>    | <b>7</b>     | <b>9</b>    | <b>9.25</b>  | <b>3.5</b>  | <b>9.88</b>  | <b>5.06</b> | <b>1</b>    | <b>7.88</b> |
|                  | 23                               | 5                        | 6          | 51                           | 51          | 178          | 229         | 235          | 89          | 251          | 129         | 25          | 200         |
| † <b>MGR75</b>   | <b>75†</b>                       | <b>11</b>                | <b>13*</b> | <b>2</b>                     | <b>2</b>    | <b>7</b>     | <b>9</b>    | <b>9.25</b>  | <b>5.25</b> | <b>9.88</b>  | <b>5.06</b> | <b>1</b>    | <b>7.88</b> |
|                  | 23†                              | 5                        | 6          | 51                           | 51          | 178          | 229         | 235          | 133         | 251          | 129         | 25          | 200         |
| <b>HGR50</b>     | <b>75</b>                        | <b>28</b>                | <b>30*</b> | <b>4</b>                     | <b>1.25</b> | <b>10.75</b> | <b>11.5</b> | <b>14.25</b> | <b>5.5</b>  | <b>16.75</b> | <b>8.88</b> | <b>2.38</b> | <b>7.5</b>  |
|                  | 23                               | 13                       | 14         | 102                          | 32          | 273          | 292         | 362          | 159         | 425          | 226         | 60          | 191         |
| † <b>MHGR50</b>  | <b>125†</b>                      | <b>19</b>                | <b>23*</b> | <b>4</b>                     | <b>1.25</b> | <b>10.75</b> | <b>11.5</b> | <b>14.25</b> | <b>6.25</b> | <b>16.75</b> | <b>8.88</b> | <b>2.38</b> | <b>7.5</b>  |
|                  | 38†                              | 9                        | 10         | 102                          | 32          | 273          | 292         | 362          | 159         | 425          | 226         | 60          | 191         |
| <b>HGR100</b>    | <b>100</b>                       | <b>37</b>                | <b>41*</b> | <b>4</b>                     | <b>1.25</b> | <b>13.25</b> | <b>11.5</b> | <b>16.75</b> | <b>5.5</b>  | <b>17.75</b> | <b>8.88</b> | <b>2.38</b> | <b>7.5</b>  |
|                  | 30                               | 17                       | 19         | 102                          | 32          | 337          | 292         | 425          | 140         | 451          | 226         | 60          | 191         |
| † <b>MHGR100</b> | <b>175†</b>                      | <b>25</b>                | <b>31*</b> | <b>4</b>                     | <b>1.25</b> | <b>13.25</b> | <b>11.5</b> | <b>16.75</b> | <b>6.25</b> | <b>17.75</b> | <b>8.88</b> | <b>2.38</b> | <b>7.5</b>  |
|                  | 53†                              | 11                       | 14         | 102                          | 32          | 337          | 292         | 425          | 159         | 451          | 226         | 60          | 191         |

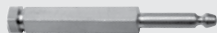
**Optional GTP Gator® Clamp**  
(GTP-9654)  
Part No. 9951.0032



**Optional Browne Clamp**  
(ALS-10)  
Part No. 9951.0031

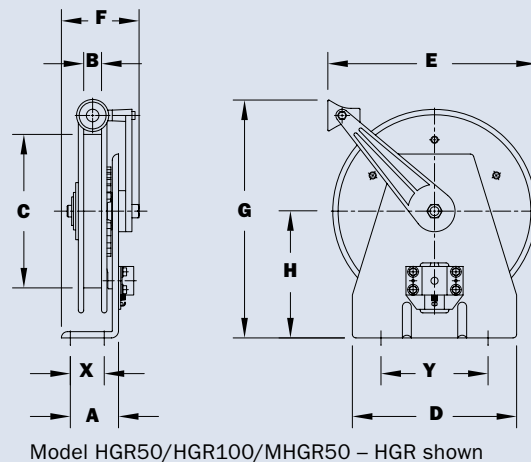
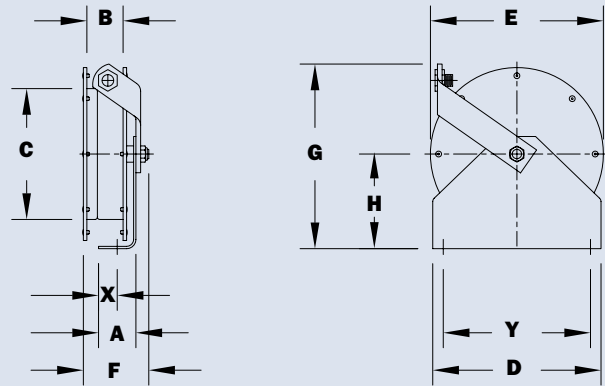


**Optional Grounding Jack**  
per MIL-C-8341D/4  
Part No. 9951.0033



**Notes:**

1. Specifications subject to change.
  2. When ordering, specify model number, gauge, O.D., length, and coating if required.
  3. Specify "Y" branch if required.
  4. **Finish:** Refer to page 2.
- \*Reels can be shipped as a parcel package (via FedEx or UPS Ground).  
\*\*\* X, Y indicate mounting holes. See page 2.  
† Capacities shown are for PCC (plastic coated cable). Capacities may be higher for uncoated cable; consult factory.



# Hannay Reels **Spec Worksheet**

To specify Hannay reels, fill out this simple form and mail, fax or email it to your dealer.  
Photocopy this page or download and print from [hannay.com](http://hannay.com)

| 1. Who is the reel for? |  |          |          |         |
|-------------------------|--|----------|----------|---------|
| Contact                 |  |          | Date / / |         |
| Company                 |  | Position |          |         |
| Street Address          |  |          |          |         |
| City                    |  | State    | Zip      | Country |
| Phone ( )               |  | Fax ( )  | Email    |         |

| 2. What is the reel for?   |  |  |  |
|--|--|--|--|
| <input type="checkbox"/> <b>HOSE</b> (check one): <input type="radio"/> Storage only <input type="radio"/> Live Single hose <input type="radio"/> Live Dual hose             |  |  |  |
| Inside diameter:   | Hose length:   | Bend radius:   | Flat hose dimensions:                  |
| Outside diameter:  | Hose weight:   | Coupling spacing:                                    |  |
| <b>Type of product handled live application: (check one):</b>  |  |  |  |
| <input type="radio"/> Liquid (specify):  | <input type="radio"/> Temperature:                   | <input type="radio"/> Oxygen/Acetylene:              | <input type="radio"/> Other (specify): |
| <input type="radio"/> Gases (specify):   | <input type="radio"/> Pressure:                      | <input type="radio"/> Hydraulic fluid (specify):     |  |
| <b>Fluid path type: (check one):</b> <input type="radio"/> Steel (standard) <input type="radio"/> Aluminum <input type="radio"/> Stainless Steel <input type="radio"/> Other |  |  |  |
| <b>Reel inlet type: (check one):</b> <input type="radio"/> Swivel joint 90° (standard) <input type="radio"/> Straight  |  |  |  |
| <b>Reel outlet type (riser):</b> Size:   |  |  |  |
| Thread (check one):  | <input type="radio"/> National Pipe Thread (NPT)     | <input type="radio"/> Joint Industry Committee (JIC) | <input type="radio"/> Other            |
|  | <input type="radio"/> National Standard Thread (NST) | <input type="radio"/> British Standard Pipe (BSP)    |  |

Indicate your custom specifications

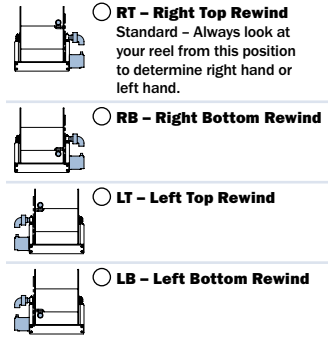
| CABLE (check one): <input type="radio"/> Live* <input type="radio"/> Storage only |                   |               |
|---|-------------------|---------------|
| *Number of conductors, or wire gauge, required:                                   |                   |               |
| *Number of connectors:  | Cable weight:     | Cable length: |
| *Voltage:   | Outside diameter: |               |
| *Amperage (live application only):  | Bend radius:      |               |

Indicate your custom specifications

| 3. What features does the reel need? Check type of rewind:   |   |   |  |
|--|---|---|--|
| <input type="checkbox"/> <b>MANUAL REWIND</b>  |   |   |  |
| <input type="radio"/> Disc rewind (hand over hand)   | <input type="radio"/> Gear-driven crank | <input type="radio"/> Direct crank (permanent or removable)         | <input type="radio"/> Chain-driven crank |
| <input type="checkbox"/> <b>POWER REWIND</b>   |   |   |  |
| <input type="radio"/> Spring   | <input type="radio"/> Air               | <input type="radio"/> Electric (voltage):                           | <input type="radio"/> Hydraulic          |
| <b>Type of installation (check one):</b> <input type="radio"/> Floor <input type="radio"/> Wall <input type="radio"/> Overhead <input type="radio"/> Vehicle   |   |   |  |
| Temperature Range:   |   | Environment:  |  |
| Accessories (if any):  |   | Hose/Cable Stop: <input type="radio"/> Yes <input type="radio"/> No |  |
| Roller Assemblies:   |   |   |  |
| <b>Finish:</b> <input type="radio"/> Painted steel (standard) <input type="radio"/> Aluminum <input type="checkbox"/> Polished <input type="checkbox"/> Unpolished <input type="radio"/> Stainless steel <input type="checkbox"/> Polished <input type="checkbox"/> Unpolished |   |   |  |

#### 4. Specifying Location of Components

**Optional Location of Components:**  
Location of the inlet, outlet riser, and rewind mechanism can be varied to meet your requirements and must be specified on your order. Unless otherwise specified, most reels will be shipped as **Right Top Rewind** with the inlet, outlet riser, and rewind mechanism on the operator's right.



Note: Use component location initials as suffix after model number (ie: HD6024-23-24 RT)

| 5. Please note size and/or weight limitations for your installation |  |  |  |  |
|---|--|--|--|--|
| SPECIFICATIONS  |  |  |  |  |
| Depth: _____  |  |  |  |  |
| Height: _____   |  |  |  |  |
| Width: _____  |  |  |  |  |
| Weight: _____   |  |  |  |  |

Drag Position SR  
 Lift Position VR  
 Stretch (no roller) Position TR  
 Wall Mount Position TR  
 Recovery (pick-up) (no roller)

Constant tension available on all roller positions

#### 5. Please note size and/or weight limitations for your installation

Depth: \_\_\_\_\_  
 Height: \_\_\_\_\_  
 Width: \_\_\_\_\_  
 Weight: \_\_\_\_\_

**For custom applications not found in our catalogs, call the Inside Sales Group at 518-797-3791.**

# Hannay Reels Sales Policies

## Hannay Reels 3-Year Limited Warranty

Products manufactured by Hannay Reels, Inc. ("Hannay") are warranted for 3 years from date of shipment when properly installed, maintained, and operated in accordance with Hannay instructions. In no event will Hannay have a warranty obligation for normal wear and tear, or for products that have, at Hannay's determination, been subjected to accident, abuse, misapplication, improper installation or improper maintenance. Common examples of normal wear and tear would include paint finish, swivel joint seal wear, and switch or motor brush wear.

Hannay makes no warranties, express or implied, other than those included in this warranty statement, and we disclaim any implied warrant of merchantability or fitness for any particular purpose. Hannay will not be liable for any consequential, incidental, or indirect damages from any cause whatsoever.

Failure to use a flexible inlet connection on any live hose reel will void the swivel joint warranty. Failure to use a properly sized circuit breaker with any electric rewind motor will void the electric motor warranty. Failure to use a filter and lubricator on any air rewind motor will void the air motor warranty. Failure to follow all procedures outlined in the Safety Guidelines document will void the warranty.

Components not manufactured by Hannay will be subject to the original manufacturers' warranties. Examples of such components include: hose and cable, motors, speed controls, and switches, swivel joints and seals, slip ring and brush assemblies.

Equipment which proves to be defective upon our inspection will be replaced free of charge, including freight to the customer. Our responsibility ceases upon delivery to any common carrier and we do not, unless previously instructed, insure shipments beyond point of delivery to such carrier. **No material will be accepted for return without a return goods authorization (RGA).** This warranty extends to the replacement or repair of the reel or part (no labor).

Hannay reserves the right to modify or alter materials, dimensions, design, and construction when necessary to improve the performance of the reel and/or accessories, or to meet delivery requirements.

## Notice on Reel Finish

Standard finish on Hannay reels is a high performance enamel paint. Standard color is metallic graphite. Other colors available, please consult factory.

Most of the major components on standard reels are e-coated prior to receiving final topcoat paint finish. This combination of e-coat and enamel topcoat will meet the finish requirements of most customer applications and environments.

In cases where requirements cannot be met with the standard finish, Hannay Reels can coat any model reel with an automotive primer, allowing application of final coating at your facility.

Alternatively, Hannay Reels can provide a quote for matching a customer-provided paint specification. For further information, please contact your Hannay Reels sales engineer and a special paint request form will be sent to you.

For environments where no paint finish is suitable, we offer both aluminum and stainless steel (304 grade) construction on most reel models.

## Return Goods Policy

All Hannay reels are built to order. These orders are typically placed into production within 1 business day of receipt. Once production begins, it may not be possible to cancel the order.

To prevent returns because the wrong reels or parts were ordered, please use the Hannay Reels Spec Worksheet (either online or from our Ordering & Accessory Guide) when specifying reels. Be sure to include any size, weight, pressure and/or material compatibility limitations for the application.

**In the event that an item does need to be returned for credit, repair or replacement, prior approval must be obtained from Hannay Reels.** Upon your request, we will send a Return Goods

Authorization (RGA) form. A signed copy of this form must accompany the material when returned to us, with the RGA number clearly showing on the outside of the box—a label is provided to you that you can print and attach. No product will be accepted for return or credit without an authorized RGA number.

All material must be returned prepaid, unless otherwise noted on our RGA. No return will be accepted that has been damaged due to improper return packaging, tampered with or altered from its original condition. Our restocking and handling fee is a minimum of 25% for standard catalog reels and parts. Custom reels specially built to customer specifications cannot be returned for any reason.

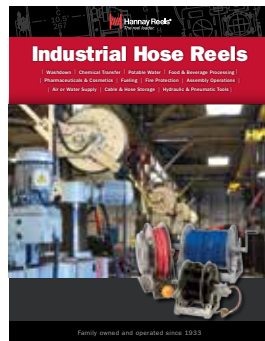
# Find reels for every need.

Learn more about all of our reels, including specs, drawings, and even how to select the right reels and accessories for your industry.



## Ordering & Accessory Guide

- Selecting the right reel
- Reel components
- Available accessories
- How to spec and order reels and accessories
- Ordering options
- Hannay Reels policies



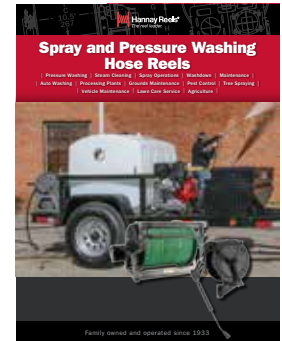
## Industrial Hose Reels

- High pressure/low pressure reels
- Air/Lube/Grease reels
- Fueling
- Washdown/Power Wash
- Industrial Fire Protection
- Hydraulic/Pneumatic applications
- Hose storage



## Cable Reels

- Electric Tools
- Crane operations
- Portable Lighting
- Portable live and storage reels
- Video/Broadcast
- Static and Utility grounding reels



## Spray and Pressure Washing Hose Reels

- Washdown/Power Wash
- Pest Control/Fertilizers
- Air/Water/Grease
- Steam Cleaning
- Spray operations
- Portable hose reels

View all our reel catalogs online at [hannay.com](http://hannay.com)



Family owned and operated since 1933, Hannay Reels is the world leader in both OEM and aftermarket applications. Hannay offers thousands of standard hose reel and cable reel models, as well as unmatched custom capabilities. We can easily and affordably customize a reel to meet your exact specifications – built to last, delivered fast. Additional catalogs are available through your local Hannay Reels dealer or online at [hannay.com](http://hannay.com).



553 State Route 143 | Westerlo, New York 12193  
Email: [reels@hannay.com](mailto:reels@hannay.com) | [hannay.com](http://hannay.com)



All Hannay reels are constructed of quality heavy gauge steel (optional aluminum or stainless steel also available on most models).

Phone: 518-797-3791 | Toll Free: 1-877-467-3357 | FAX: 518-797-3259

Form H-0804-PC REV 5 / WEB 5-24

