

C
10.5"
267



Hannay Reels®
The reel leader.

Cable Reels

Rescue and HazMat Operations	Agriculture	Grounds Maintenance and MRO	Electric Tools
Portable Lighting	Broadcast/Entertainment	Auxiliary Leads for Power Generation	
Hoist and Crane Operations	Static Grounding	Utility Grounding	Video Inspection



Family owned and operated since 1933

CONTENTS

Hannay cable reels come in all sizes and capacities.

Reel Type	Page
Manual or Power Rewind Reels	
Series C – Storage Only	3
Series C1500 – Storage Only	4
Series C3200 – Storage Only	5
Series CR	6-7
Spring Rewind Reels	
Series NSCR700/SCR700	8-9
Model SCR10-17-19	10
Portable Reels	
Model LC16-10-11/Series CR	11
Model C16-10-11/C20-14-16 – Storage Only	12
Model AT1300/4300	13
Model C1150/ATC1250 – Storage Only	14
Custom Engineering	
Cable Reels and Spools	15
Grounding Reels	
Static Grounding Reels – Series GR/HGR	16-17
Utility Grounding Reels	18
Hannay Reels Sales Policies	19



You Can't Buy A Better Reel.

No matter what your industry, you need cable reels that improve efficiency, productivity, and safety in your operation. We meet these stringent application, installation, and function requirements with the largest model offering and custom design reel options in the industry.

Every Hannay reel is handcrafted from the highest quality materials and designed exclusively for the industry it will be used in – never retrofitted to the job. That means you can trust our rugged, dependable reels to provide perfect fit and function for years to come.

Here's what makes Hannay Reels the #1 choice of OEMs:

- Multi-position roller assembly features dual arms to give maximum support from each side.
- Heavy 14-gauge disc has rolled edges that add rigidity and strength.
- One-piece hub assembly for superior strength.
- Externally mounted spring motor and ratchet pawl lock for the most serviceable reel available.
- Drums are 304-grade stainless steel for maximum corrosion resistance.
- 11-gauge steel modular frame bolts easily to standard footprint patterns.
- Sealed axle bearings provide superior wear and effortless operation.



Mounting Hole Sizes

N Series Reels	7/16" wide x 7/8" long slot running front to back
Pressed Frame Reels and Channel Framed Reels	7/16" wide x 7/8" long slot running left to right
Utility Grounding	7/16" round holes
Series 1500, Static Grounding	13/32" round holes

**To handle 3/4" through 1" O.D. cable.
For storage only. No live connections.**

- Heavy-duty reels.
- 4-1/2" x 9" (114 mm x 229 mm) opening in the drum.
- Many optional configurations available.
- Gear-driven crank rewind; or chain and sprocket drive powered by electric, compressed air or hydraulic motor.
- Auxiliary crank rewind is available on power reels.
- Crank rewind reels supplied with pinion brake.
- Power rewind standard with a strap brake.
- Consult factory for other brakes and locking devices.
- Rollers and roller mounting brackets are accessory items. Specify roller position.
- Optional divider discs available with a cut-out.
Note: Must add "SDD" at the end of model number and disc location must be specified when ordering.
- Drum diameters other than the standard are available.
Note: Larger drum diameter reduces reel capacity.



Standard configuration shown

PARTS DRAWING – ISO 71

Model Number <small>For power rewind see Note 5</small>	Cable Capacity of Reel feet m			Approx. Weight Crank Rewind lb. kg		Reel Dimensions*** in. mm									
	O.D. in. mm	3/4 19	1 25	NET	SHIP	A	B	D	E	F CRANK	F POWER	G	H	X	Y
C20-19-21-10.5	250	150	66	101	17	11.5	20.5	18.75	20	24.5	21.5	12.12	9	16.75	
	76	46	30	46	432	292	521	476	508	622	546	308	229	425	
C26-19-21-10.5	350	200	78	113	23	17.5	20.5	18.75	26	30.5	21.5	12.12	15	16.75	
	107	61	35	51	584	445	521	476	660	775	546	308	381	425	
C20-23-24-10.5	–	250	73	108	17	11.5	20.5	22.75	20	24.5	23.5	12.12	9	16.75	
	–	76	33	49	432	292	521	578	508	622	597	308	229	425	
C28-23-24-10.5	–	475	89	124	25.5	20	20.5	22.75	28.5	33	23.5	12.12	17.5	16.75	
	–	145	40	56	648	508	521	578	724	838	597	308	445	425	
C20-25-26-10.5	–	325	86	121	17	11.5	25.5	24.75	20	24.5	27.88	15.5	9	21.75	
	–	99	39	55	432	292	648	629	508	622	708	394	229	552	
C24-25-26-10.5	–	450	94	129	21	15.5	25.5	24.75	24	28.5	27.88	15.5	13	21.75	
	–	137	43	59	533	394	648	629	610	724	708	394	330	552	
C18-30-31-10.5	–	375	90	125	15	9.5	25.5	28.75	18	22.5	29.88	15.5	7	21.75	
	–	114	41	57	381	241	648	730	457	572	759	394	178	552	

Notes:

1. Specifications subject to change.
2. Upon request, reels can be supplied with drum lengths other than shown and with disc sizes in other diameters.
3. Dimensions reflect pressed frames.
4. Weights shown in chart are for crank rewind models. ADD these amounts for power rewind models:

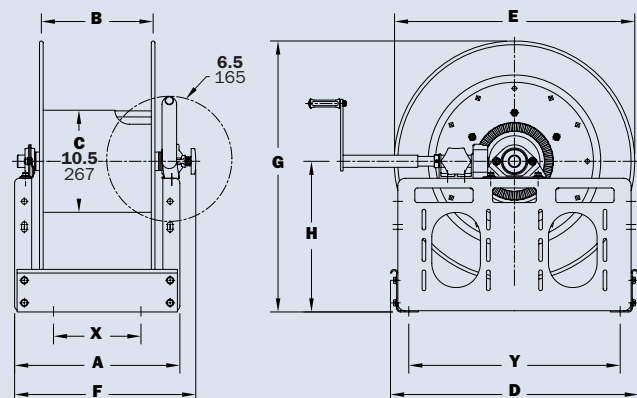
	Net lbs/kg	Ship lbs/kg
Electric	40/18.1	40/18.1
Hydraulic	20/9.1	20/9.1
Air	20/9.1	20/9.1

5. When ordering power rewind models, prefix model number with:

- A** = Air Rewind – Supplied with control valve and 18" air hose.
- EP** = Electric Rewind – (1/2 HP) 12v and 24v DC rewind reels are supplied with switch and solenoid; 115v AC rewind reels are not supplied with switch but can be ordered separately.
- HD** = Hydraulic Rewind – Not supplied with control valve.

6. Be sure to check dimensions and weights prior to ordering.

*** X, Y indicate mounting holes. See page 2.



Series C1500

• Cable • Hose • Rope • Wire

**To handle 1/4" through 1" O.D.
For storage only. No live connections.**

- Reels are designed for storage of long lengths of cable, hose, rope, wire or other materials.
- A 1-1/8" x 2-3/8" (28 mm x 60 mm) opening in the drum to initiate winding.
- Direct crank rewind, permanently attached. Removable crank option is available. Also available is a chain and sprocket rewind powered by electric, compressed air or hydraulic motor.
- Supplied with cam-lock brake on manual rewind models only.
- Optional divider discs available with a cut-out.
- Note:** Must add "SDD" at the end of model number and disc location must be specified when ordering.
- Rollers and roller mounting brackets are accessory items. Specify roller position.



Optional External Mounting Brackets

Part No. 9906.0027.
Add 2-1/2" to the X dimensions shown in the chart.



Standard configuration with optional slotted divider disc shown



Standard configuration with optional finish shown

PARTS DRAWING – ISO 218 (MANUAL); ISO 219 (POWER)

Model Number <small>For power rewind see Note 5</small>	Cable Capacity of Reel feet m					Approx. Weight Crank Rewind lb. kg <small>see Note 4</small>			Reel Dimensions*** in. mm						
	O.D. in. mm	1/4 6	1/2 13	3/4 19	1 25	NET	UPS/ FedEx SHIP Wt.	Freight SHIP Wt.	A	B	E CRANK	E POWER	F CRANK	F POWER	X
C1512-17-18		900 274	200 61	–	–	22 10	53* 24	57 26	9 229	4 102	17.5 445	19 483	16 406	13.5 343	7.5 191
C1514-17-18		1300 396	300 91	150 46	75 23	23 10	65* 30	58 26	11 279	6 152	17.5 445	19 483	18 457	15.5 394	9.5 241
C1516-17-18		–	400 122	–	–	24 11	68* 31	59 27	13 330	8 203	17.5 445	19 483	20 508	17.5 445	11.5 292
C1520-17-18		–	650 198	300 91	150 46	25 11	80* 36	60 27	17 432	12 305	17.5 445	19 483	24 610	21.5 546	15.5 394
C1526-17-18		–	900 274	450 137	225 69	27 12	98* 45	62 28	23 584	18 457	17.5 445	19 483	30 762	27.5 699	21.5 546
C1530-17-18		–	1000 305	550 168	275 84	29 13	110* 50	64 29	27 686	22 559	17.5 445	19 483	34 864	31.5 800	25.5 648

Notes:

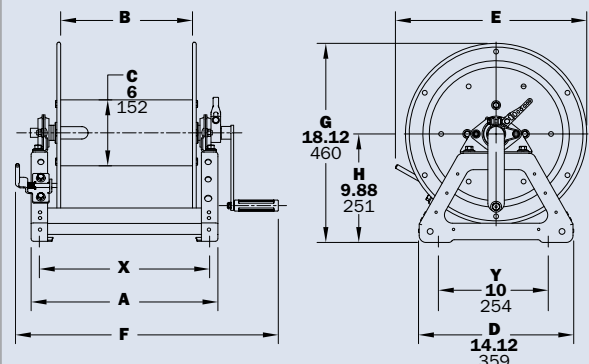
1. Specifications subject to change.
2. Upon request, reels can be supplied with drum lengths other than shown and with disc sizes in other diameters.
3. Dimensions reflect pressed frames.
4. Weights shown in chart are for crank rewind models. ADD these amounts for power rewind models (does not apply to FedEx or UPS):

	Net lbs/kg	Ship lbs/kg
Electric	18/8.2	18/8.2
Hydraulic	15/6.8	15/6.8
Air	15/6.8	15/6.8

5. When ordering power rewind models, prefix model number with:
 - A** = Air Rewind – Supplied with control valve and 18" air hose.
 - E** = Electric Rewind – 12v and 24v DC rewind reels are supplied with switch and solenoid; 115v AC rewind reels are not supplied with switch but can be ordered separately.
 - HD** = Hydraulic Rewind – Not supplied with control valve.

6. Be sure to check dimensions and weights prior to ordering.

*Dimensional weight applies when shipped as a parcel package (via FedEx or UPS Ground).
*** X, Y indicate mounting holes. See page 2.



Crank rewind shown

Series C3200

• Cable • Hose • Rope • Wire

**To handle 1/2" through 1" O.D.
For storage only. No live connections.**

- A 4-1/2" x 9" (114mm x 229mm) opening in the drum to initiate winding.
- Designed for storage of long lengths of cable, hose, rope, wire or other materials.
- Choose disc rewind or removable direct crank rewind.
- Supplied with spring actuated pin lock.
- Optional divider discs available with a cut-out.
- Note:** Must add "SDD" at the end of model number and disc location must be specified when ordering.
- Rollers and roller mounting brackets are accessory items. Specify roller position.
- For power rewind, see Series C on page 3.



Standard configuration with crank handle shown



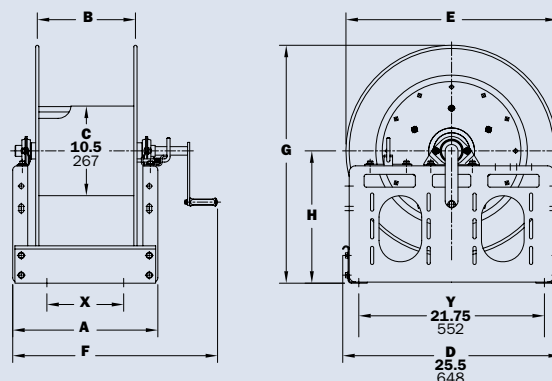
Optional Aluminum Hand Cart
4300-AL mounting available.

PARTS DRAWING – ISO 117

Model Number	Cable Capacity of Reel feet m				Approx. Weight Crank Rewind lb. kg		Reel Dimensions*** in. mm					
	O.D. in. mm	1/2 13	3/4 19	1 25	NET	SHIP	A	B	E CRANK	F CRANK	G	H
C3216-25-26-10.5	-	350	150	81	123	13	7.5	24.75	20.75	27.88	15.5	7.75
	-	107	46	37	56	330	191	629	527	708	394	197
C3218-25-26-10.5	1000	450	200	85	127	15	9.5	24.75	22.75	27.88	15.5	7
	305	137	61	39	58	381	241	629	578	708	394	178
C3222-25-26-10.5	-	700	300	93	135	19	13.5	24.75	26.75	27.88	15.5	11
	-	213	91	42	61	483	343	629	679	708	394	279
C3228-25-26-10.5	-	1000	500	109	151	25.5	20	24.75	33.25	27.88	15.5	17.5
	-	305	152	49	68	648	508	629	845	708	394	445
C3230-25-26-10.5	-	-	550	113	155	27.5	22	24.75	35.25	27.88	15.5	19.5
	-	-	167	51	70	699	559	629	895	708	394	495
C3234-25-26-10.5	-	1300	650	122	164	31.5	26	24.75	39.25	27.88	15.5	23.5
	-	396	198	55	74	800	660	629	997	708	394	597

Notes:

1. Specifications subject to change.
 2. Upon request, reels can be supplied with drum lengths other than shown and with disc sizes in other diameters.
 3. Dimensions reflect pressed frames.
 4. Requires 3-1/2" clearance to remove crank handle.
 5. Subtract 5" from "F" dimension for disc rewind.
 6. **Be sure to check dimensions and weights prior to ordering.**
- *** X, Y indicate mounting holes. See page 2.



Series CR

• CR1600 • ECR1600 • CR6600 • ECR6600

To handle live electric cable.

- 3-conductor, 45-amp, 600-volt collector assembly with #8 gauge wiring.
- Double brushes per circuit. Brushes are copper graphite, copper alloy rings.
- Additional conductors or higher amperage (up to 100 amps) are available at extra cost, must be specified. (300 amps possible with custom design.)
- Silver collector assemblies are available.
- Rollers and roller mounting brackets are accessory items. Specify roller position.

Series CR1600

- Removable direct crank rewind.
- Adjustable cam-lock drag brake.

Series ECR1600*

- Optional strap brake is available.
- Some roller options may prohibit the use of our molded chain guard.

Series CR6600

- Gear-driven crank rewind.

Series ECR6600

- Chain and sprocket drive powered by electric, compressed air or hydraulic motor.
- Auxiliary rewind and pinion brake standard.
- Consult factory for other brakes.
- Optional chain guards are available upon request.



Optional External Mounting Brackets

Part No. 9906.0025.
Available for CR1600 and ECR1600 models.



Series CR1600–Manual Rewind
Standard configuration shown



Series ECR1600–Electric Rewind (E)
Standard configuration shown

* For CR reels with minimized height or depth requirements, refer to our Rescue Reels catalog H-0503-R.



ELFCR1600 shown

Choose an ELFCR model when height of reel must be minimized



ESFCR1600 shown

Choose an ESFCR model when depth of reel must be minimized



Series ECR6600–Electric Rewind (E)
Optional left top configuration shown

Series CR

• CR1600 • ECR1600 • CR6600 • ECR6600

PARTS DRAWING – SERIES CR1600 – ISO 76; SERIES CR6600 – ISO 45

Model Number For power rewind see Note 5	Cable Capacity of Reel feet m					Approx. Weight Crank Rewind lb. kg		Reel Dimensions*** in. mm												
	O.D. in. mm	Ga./No. of Conductors					NET	SHIP	A	B	C	D	E CRANK	E POWER	F CRANK	F POWER	G	H	X	Y
		12/3	10/3	8/3	12/4	10/4														
CR1614-17-18	175	100	-	100	100	30	68*	11	6	6	14.12	16.5	19	23	16.75	18.12	9.88	9.5	10	
	53	30	-	30	30	14	31	279	152	152	359	419	483	584	425	460	251	241	254	
CR1616-17-18	200	150	-	150	150	32	68*	13	8	6	14.12	16.5	19	25	18.75	18.12	9.88	11.5	10	
	61	46	-	46	46	15	31	330	203	152	359	419	483	635	476	460	251	292	254	
CR1618-17-18	275	200	-	200	200	33	80*	15	10	6	14.12	16.5	19	27	20.75	18.12	9.88	13.5	10	
	84	61	-	61	61	15	36	381	254	152	359	419	483	686	527	460	251	343	254	
CR1620-17-18	350	250	-	250	225	34	80*	17	12	6	14.12	16.5	19	29	22.75	18.12	9.88	15.5	10	
	107	76	-	76	69	15	36	432	305	152	359	419	483	737	578	460	251	394	254	
CR6614-19-21-10.5	150	100	-	125	100	113	148	11	5.5	10.5	20.5	22	22	16	16	21.5	12.12	5.75	16.75	
	46	30	-	38	30	51	67	279	140	267	521	559	559	406	406	546	308	146	425	
CR6614-23-24-10.5	300	225	175	250	200	120	155	11	5.5	10.5	20.5	23	23	16	16	23.5	12.12	5.75	16.75	
	91	69	53	76	61	54	70	279	140	267	521	584	584	406	406	597	308	146	425	
CR6614-25-26-10.5	350	250	200	300	225	133	168	11	5.5	10.5	25.5	24.75	24.75	16	16	27.88	15.5	5.75	21.75	
	107	76	61	91	69	60	76	279	140	267	648	629	629	406	406	708	394	146	552	

Notes:

- Specifications subject to change.
- Upon request, reels can be supplied with drum lengths other than shown and with disc sizes in other diameters.
- Dimensions reflect pressed frames.
- Weights shown in chart are for crank rewind models. Add these amounts for power rewind models:

Series CR1600	Net lbs/kg	Ship lbs/kg
Electric	18/8.2	18/8.2
Hydraulic	15/6.8	15/6.8
Air	15/6.8	15/6.8

Series CR6600	Net lbs/kg	Ship lbs/kg
Electric (1/3 HP)	18/8.2	18/8.2
Electric (1/2 HP)	40/18.1	40/18.1
Hydraulic	20/9.1	20/9.1
Air	20/9.1	20/9.1

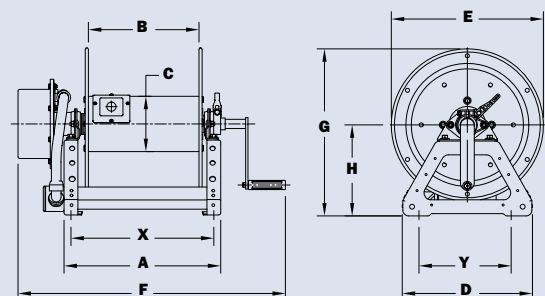
- When ordering power rewind models, prefix model number with:
 - A** = Air Rewind – Supplied with control valve and 18" air hose.
 - E** = Electric Rewind – (1/3 HP) (Series CR1600 & CR6600)
 - EP** = Electric Rewind – (1/2 HP) (Series CR6600)
12v and 24v DC rewind reels are supplied with switch and solenoid; 115v AC rewind reels are not supplied with switch but can be ordered separately.

HD = Hydraulic Rewind – Not supplied with control valve.

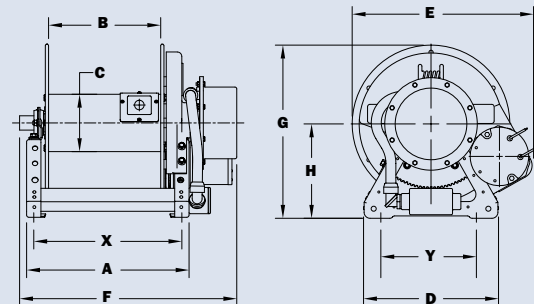
- Add 2-1/8" to "A" dimension when using external mounting brackets on CR1600, ECR1600 Series reels.
- When ordering reels with a 4-conductor, add 2" to "F" dimensions.
- Be sure to check dimensions and weights prior to ordering.**

* Dimensional weight applies when shipped as a parcel package (via FedEx or UPS Ground).

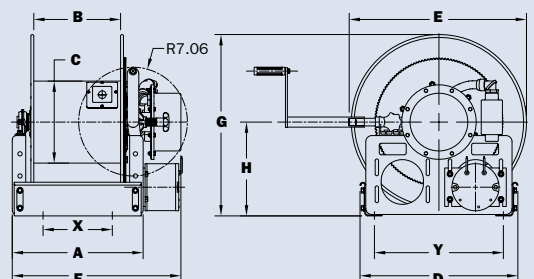
***X, Y indicate mounting holes. See page 2.



Series CR1600 (Manual Rewind)



Series ECR1600 (Power Rewind)



Series ECR6600 (Power Rewind)

Series **NSCR700/SCR700**

To handle live electric cable.

- Heavy-duty spring motor.
- Non-sparking ratchet.
- Declutching arbor.
- Consult factory for constant tension applications.
- 3-conductor, 45-amp, 600-volt collector assembly with #8 gauge wiring.
- Double brushes per circuit. Brushes are copper graphite with copper alloy rings.
- Additional conductors or higher amperage (up to 300-amps) available; consult factory.
- Silver collector available.
- Supplied with a 4-way roller assembly. Roller position must be specified.
- A cable stop should be used.
- For vertical lift, stretch, and/or crane installation, consult factory for proper spring specifications.



Series NSCR700
Standard SR configuration shown



Optional Swivel Mounting Bracket

Part No. 9908.9990.
For **N-Series** spring retractable reels, available as a kit. Conditions apply, consult factory.

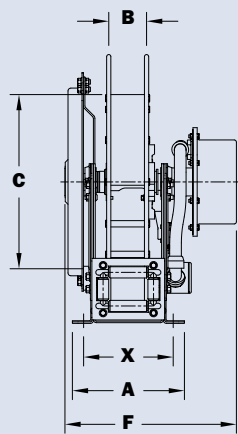


Series SCR700
Standard SR configuration shown

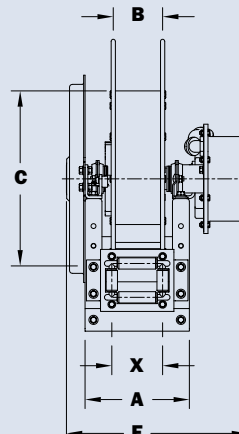
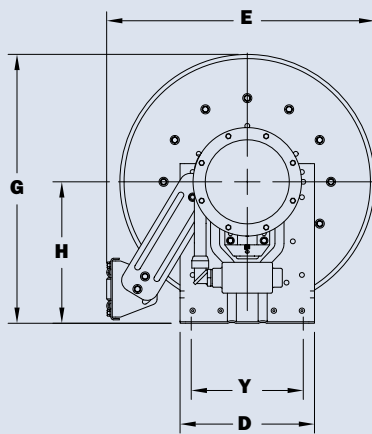
Series NSCR700/SCR700

PARTS DRAWING – SERIES NSCR700 – ISO 164; SERIES SCR700 – ISO 49

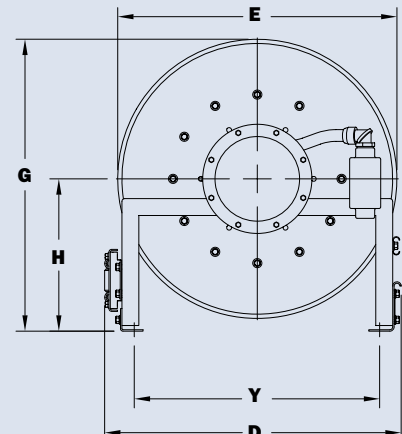
Model Number	Cable Capacity of Reel feet m				Approx. Weight lb. kg		Roller Assy.	Reel Dimensions*** in. mm										
	O.D. in. mm	Ga./No. of Conductors				NET		SHIP	A	B	C	D	E	F	G	H	X	Y
		.53 14	.60 15	.69 18	.75 19													
NSCR715-14-16-8C	35	25	-	-	59	74	N203	9	3	8	12	18.12	14.5	16.12	9.12	7	10	
	11	8	-	-	27	34		229	76	203	305	460	368	409	232	178	254	
NSCR715-16-17-10.5C	40	35	-	-	62	77	N203	9	3	10.5	12	19	14.5	17	9.12	7	10	
	12	11	-	-	28	35		229	76	267	305	483	368	432	232	178	254	
NSCR715-19-20-10.5J	50	50	50	50	74	109	N203	9	3	10.5	12	20.75	14.5	20	10.62	7	10	
	15	15	15	15	34	49		229	76	267	305	527	368	508	270	178	254	
NSCR716-23-24-15.5B	75	75	75	75	99	134	N204	10	4	15.5	12	24	15.5	24	12.62	8	10	
	23	23	23	23	45	61		254	102	394	305	610	394	610	321	203	254	
NSCR716-23-24-15.5G	100	100	-	-	105	140	N204	10	4	15.5	12	24	15.5	24	12.62	8	10	
	30	30	-	-	48	64		254	102	394	305	610	394	610	321	203	254	
NSCR716-23-24-15.5 SD	-	-	100	-	107	142	N204	10	4	15.5	12	24	16.25	24	12.62	8	10	
	-	-	30	-	48	64		254	102	394	305	610	394	610	321	203	254	
SCR715-19-20-10.5J	50	50	50	50	74	109	R203	8.25	3	10.5	19.88	18.75	15.12	19.75	10.38	3.5	14.75	
	15	15	15	15	34	49		210	76	267	505	476	384	502	264	89	375	
SCR716-23-24-15.5B	75	75	75	75	99	134	R204	9.25	4	15.5	24.5	22.75	16.12	23.88	12.5	4.5	20	
	23	23	23	23	45	61		235	102	394	622	578	409	607	318	114	508	
SCR716-23-24-15.5G	100	100	-	-	105	140	R204	9.25	4	15.5	24.5	22.75	16.12	23.88	12.5	4.5	20	
	-	-	-	-	48	64		235	102	394	622	578	429	607	318	114	508	
SCR716-23-24-15.5 SD	-	-	100	-	107	142	R204	9.25	4	15.5	24.5	22.75	16.88	23.88	12.5	4.5	20	
	-	-	30	-	48	64		235	102	394	622	578	409	607	318	114	508	
SCR716-30-31-20A	120	120	120	120	127	162	R204	9.25	4	20	30.5	28.75	16.88	31.38	17	4.5	25.25	
	37	37	37	37	58	73		235	102	508	775	730	429	797	432	114	641	



Series NSCR700



Series SCR700

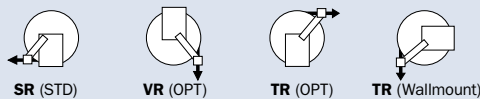


Notes:

- Specifications subject to change.
- For reels with 4-conductor, 45-amp collector assemblies, add 2" to "F" dimension.
- Reel models and capacities shown are for standard drag applications; for heavy-duty or vertical lift applications, consult factory.
- Other sizes from standard components available upon request.
- Be sure to check dimensions and weights prior to ordering.
- Roller assembly is supplied on standard models.

***X, Y indicate mounting holes. See page 2.

Available Roller Positions



Model **SCR10-17-19**

To handle live electric cable.

- Heavy-duty spring motor.
- Non-sparking ratchet assembly.
- Declutching arbor.
- 3-conductor, 30-amp collector ring.
- 6 foot power source lead with 15-amp, 3-prong straight blade plug (optional twist lock is available).
- Cable stop should be used.



Standard configuration shown



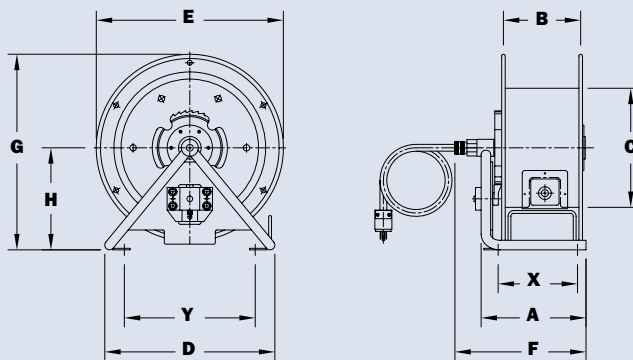
Optional Roller Mounting Bracket
Part No. 9939.0004

PARTS DRAWING – ISO 46

Model Number	Cable Capacity of Reel feet m				Approx. Weight lb. kg		Reel Dimensions*** in. mm									
	O.D. in. mm	Ga./No. of Conductors					NET	SHIP	A	B	C	D	E	F	G	H
		16/3	14/3	12/3												
SCR10-17-19	70	70	75	42	52*	9.25	6.5	10.5	15	16.5	11.75	17.12	8.94	7	11.56	
	21	21	23	19	24	235	165	267	381	419	298	435	227	178	294	

Notes:

1. Specifications subject to change.
2. **Be sure to check dimensions and weights prior to ordering.**
*When shipped as a parcel package (via FedEx or UPS Ground).
***X, Y indicate mounting holes. See page 2.



Model **LC16-10-11** Series **CR**

Model LC16-10-11 (Storage)

- Waterproof duplex receptacle for 3-pronged plug.
- Twist lock duplex is available.
- Adjustable cam-lock drag brake.
- Equipped with one durable rubber twist tie for cable ends.

Series CR (Live)

- Compact, lightweight, rugged construction.
- 3-conductor, 30-amp collector ring.
- 6 foot power source lead with 15-amp, 3-prong straight blade plug (optional twist lock is available).
- Adjustable cam-lock drag brake.

Rewind:

- Crank rewind permanent.



LC16-10-11
• Extension Cord
• Broadcast Cable



Series CR
• Industrial
• Broadcast
• Agricultural
• Fire and Rescue

PARTS DRAWING – MODEL LC16-10-11 – ISO 120; SERIES CR – ISO 156

Model Number	Cable Capacity of Reel feet m			Approx. Weight lb. kg		Reel Dimensions in. mm							
	O.D. in. mm	Ga./No. of Conductors				NET	SHIP	A	B	C	D	E	F
		.53 14	12/3 15	.60 15									
LC16-10-11	125	100		14	17*	11.25	7.5	4	11.62	10.75	13.75	14.75	6.88
	38	30		6	8	286	190	102	295	273	349	375	175
CR16-14-16	200	150		24	58*	9.25	7.5	6	15.5	14	14.5	18.5	8.88
	61	46		11	26	235	190	152	394	356	368	470	226
CR16-17-18	300	250		28	58*	9.25	7.5	6	15.5	16.5	14.5	18.5	8.88
	91	76		13	26	235	190	152	394	419	368	470	226

Notes:

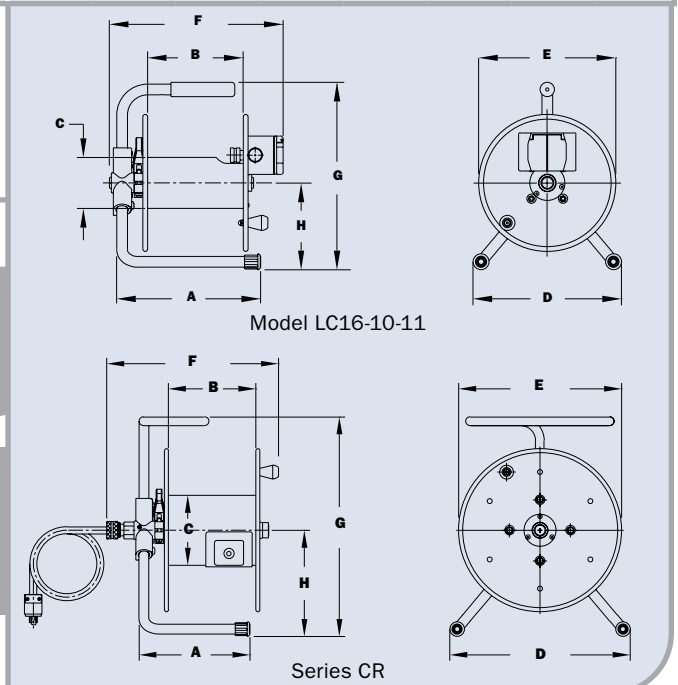
1. Specifications subject to change.
 2. **Be sure to check dimensions and weights prior to ordering.**
- *Dimensional weight applies when shipped as a parcel package (via FedEx or UPS Ground).



LC16-10-11 includes one durable rubber twist tie for cable ends.
Part No. 9949.0082



Series CR
Optional 15-amp, 3-prong straight blade receptacle recessed in drum.
Part No. 9955.0090.



Model **C16-10-11/C20-14-16**

• Broadcast Cable • Extension Cord • Rope • Forestry Fire Hose

No live connections.

Model C16-10-11

- Small, lightweight, durable.
- Adjustable cam-lock drag brake.
- Optional storage drum extension.
- One durable rubber twist tie for cable ends. "DE" models equipped with two ties.

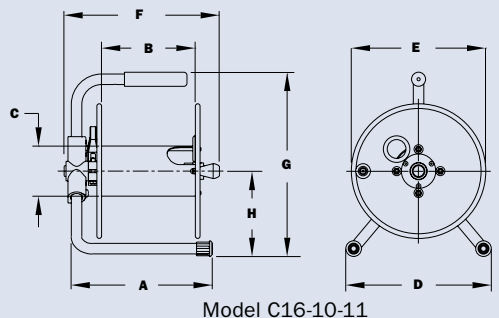
Model C20-14-16

- Strong, portable.
- Adjustable cam-lock drag brake.
- Permanent crank rewind.
- Optional pin lock available.
- Optional storage drum extension.
- One durable rubber twist tie for cable ends. "DE" models equipped with two ties.

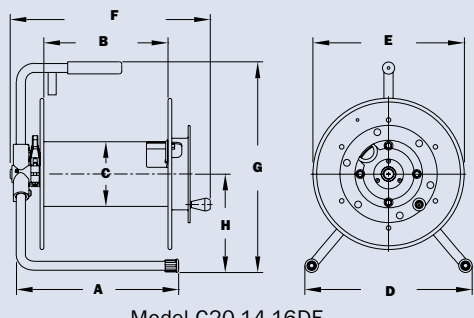


PARTS DRAWING – MODEL C16-10-11 – ISO 88; MODEL C20-14-16 – ISO 121

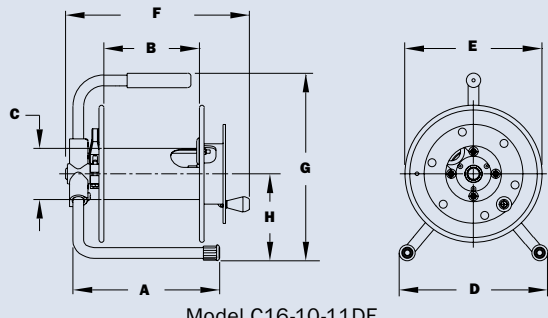
Model Number	Cable Capacity of Reel feet m			Approx. Weight lb. kg		Reel Dimensions in. mm							
	O.D. in. mm	Ga./No. of Conductors				NET	SHIP	A	B	C	D	E	F
		.53 14	12/3 15	12/3 15									
C16-10-11	125	100	10	20*	11.5	7.5	4	11.88	10.75	12.25	14.75	6.88	
	38	30	5	8	292	191	102	302	273	311	375	175	
C20-14-16	350	250	18	58*	15	12	6	15.5	14	16.75	19	8.62	
	107	76	8	26	381	305	152	394	356	425	483	219	
C16-10-11-DE	130	105	10	20*	11.5	7.5	4	11.88	10.75	14.25	14.75	6.88	
	40	32	5	8	292	191	102	302	273	362	375	175	
C20-14-16-DE	355	255	18	58*	15	12	6	15.5	14	18.75	19	8.62	
	108	78	8	26	381	305	152	394	356	476	483	219	



Model C16-10-11



Model C20-14-16DE



Model C16-10-11DE

Notes:

1. Specifications subject to change.
 2. These storage reels have no live connections.
 3. **Be sure to check dimensions and weights prior to ordering.**
- *Dimensional weight applies when shipped as a parcel package (via FedEx or UPS Ground).



LC16-10-11 includes one durable rubber twist tie for cable ends.
Part No. 9949.0082

Model AT1300/4300

• Industrial Maintenance • Broadcast • Construction • Agriculture • Grounds Maintenance

Model AT1300

- Removable direct crank rewind reel.
- Adjustable cam-lock drag brake.
- 3-conductor, 45-amp collector ring is standard.
- 6 foot power source lead of 10/3 cable.
- 15-amp, 3-prong straight blade (optional twist lock is available).
- Additional conductors available; consult factory.
- Direct offset rewind crank.



Model AT1300

Aluminum Hand Truck

Model 4300-AL

Part No. 9906.0795

For portability of hose and cable reels.

- Large pneumatic tires.
- Reel permanently attached.
- Overall dimensions will vary according to the reel model used.
- Hand truck, axle, and wheels shipped separately for customer installation. Specify if reel axis is perpendicular or parallel to truck axle.



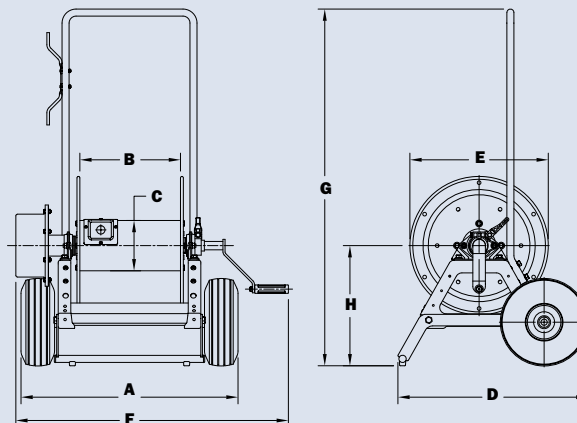
Assembled 4300-AL truck with reel attached

PARTS DRAWING – ISO 189

Model Number	Cable Capacity of Reel feet m				Approx. Weight lb. kg		Reel Dimensions in. mm							
	Ga./No. of Conductors			NET			SHIP	A	B	C	D	E	F	G
	O.D. in. mm	14/3	12/3		10/3									
AT1300	.53	.60	.69	70	102	25.88	12	6	22.62	16.5	32.5	42.5	14.38	
	14	15	18	32	46	657	305	152	575	419	825	1080	365	

Notes:

1. Specifications subject to change.
2. Hand truck is also sold separately.
Maximum reel size dimensions when installed on hand truck:
A=32" (812.8 mm), B=27" (685.8 mm), E=32" (812.8 mm).
3. Be sure to check dimensions and weights prior to ordering.



Model AT1300

Model **C1150/ATC1250**

• Industrial Maintenance • Construction • Agriculture • Grounds Maintenance

No live connections.

Model C1150

- 7/8" x 1-3/4" (22 mm x 44 mm) opening.
- Adjustable cam-lock drag brake.

Model ATC1250

- Pneumatic tires.
- 4" x 5-1/2" (102 mm x 140 mm) opening.
- Adjustable cam-lock drag brake.



Optional Folding Handle

For compact storage



Model C1150
Standard configuration shown



Model ATC1250
Standard configuration shown

PARTS DRAWING – MODEL C1150 – ISO 48; MODEL ATC1250 – ISO 87

Model Number	Cable Capacity of Reel feet m				Approx. Weight lb. kg		Reel Dimensions in. mm							
	O.D. in. mm	Ga./No. of Conductors					NET	SHIP	A	B	C	D	E	F
		14/3	12/3	10/3										
C1150	14	.53	.60	.69	44	100*	21.25	12	6	20.12	16.5	24.62	42.5	14.38
	152	122	91	20	45	540	305	152	511	419	625	1080	365	
ATC1250	14	.53	.60	.69	84	147*	25.88	11.5	8	22.62	22.75	27	42.5	18.12
	290	229	168	38	67	657	292	203	575	578	686	1080	460	

Notes:

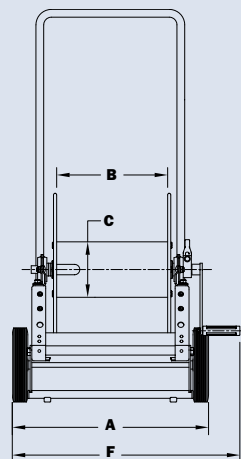
Specifications subject to change.

1. When ordering C1150 and ATC1250, specify model number, O.D., length and weight of cable, hose, etc.

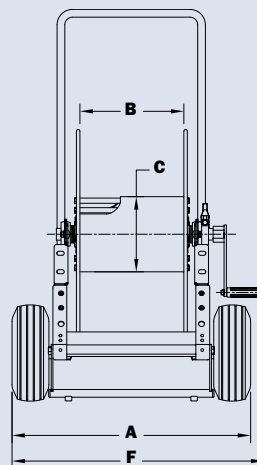
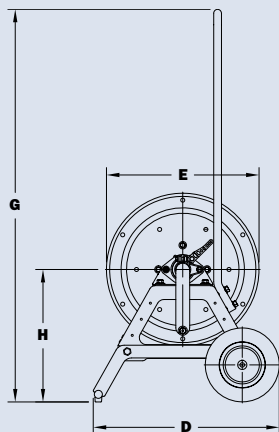
2. These storage reels have no live connections.

3. **Be sure to check dimensions and weights prior to ordering.**

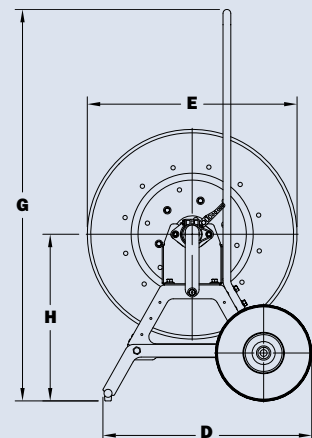
*Dimensional weight applies when shipped as a parcel package (via FedEx or UPS Ground) – some assembly required.



Model C1150



Model ATC1250



Custom Engineering

Custom spools and reels for cable handling and storage can be built in an almost limitless range of sizes and with a wide variety of special features, such as divider discs, slotted discs, casters, etc. All rewind mechanisms described in this catalog can be specified for custom-built reels. To meet special requirements, motors used to power chain and sprocket rewind mechanisms can be mounted off the reel or within the reel frame.

Spools include the discs, tie-rods and spacers, and the drum. Since discs are inventoried in a range of standard diameters, and drum lengths can be adjusted, spools can be supplied to accommodate a wide range of cable sizes and lengths.

Orders and quotations:

See Cable Reel Spec Worksheet on page 19 to supply proper information for orders or quotations.

Requests for quotations for custom reels and spools should include:

- Complete specifications on cable size, length, and weight.
- O.D. and bending radius of cable.
- Number of conductors, voltage, and amperage.
- Type of rewind mechanism, including available power for electric, hydraulic or air rewind motors.
- Complete description of how reel is to be installed and used.
- Specification of any accessories.



Cable Conversions

Power/Control Cable

Wire Size (AWG)/ Conductors	Area (Per Conductor)	
	Circular Mils	Square mm
16/3	2,600	1.3
14/3	4,100	2.1
12/3	6,500	3.3
10/3	10,500	5.3
8/3	16,800	8.5

Cable Chart

Type S00W – 600 Volt						
Number of Conductors	AWG Size	Nominal O.D.		Current AMPS	Weight	
		in.	mm		lbs	kg
2	18	0.345	8.74	10	75	34.0
3	18	0.365	9.27	10	87	39.5
4	18	0.390	9.91	7	102	46.2
2	16	0.370	9.40	13	78	35.4
3	16	0.390	9.91	13	105	47.6
4	16	0.415	10.54	10	120	54.4
2	14	0.500	12.70	18	151	68.5
3	14	0.530	13.46	18	176	79.8
4	14	0.570	14.48	15	210	95.2
2	12	0.575	14.61	25	201	91.2
3	12	0.600	15.24	25	235	106.6
4	12	0.650	16.51	20	291	132.0
2	10	0.625	15.88	30	245	111.1
3	10	0.660	16.76	30	307	139.2
4	10	0.710	18.03	25	360	163.3
2	8	0.675	17.15	40	300	136.0
3	8	0.725	18.42	40	383	173.7
4	8	0.780	19.81	35	511	231.8
5	8	0.875	22.23	28	633	287.1

Static Grounding Reels

- Aircraft Refueling • Chemical Plants • Grain Elevators
- Rescue and HazMat Operations

WARNING

These reels are for static grounding ONLY.
NOT intended for lightning protection!

For refueling or hazardous areas.

- These reels bond and/or ground aircraft, fuel trucks, and other equipment.
- Provide smooth operation and require minimum cable pull.
- Declutching arbor and adjustable guide arm with cable guide.
- Optional stainless steel construction of spool, frame, and ratchet system available on HGR Series.
- Standard finish is oven-cured enamel.
- Also available, manual rewind version.



Model HGR50
(Shown with optional "Y" branch)



Model SSHGR50
(Optional unpolished stainless steel HGR50)



Model MHGR50



Model HGR100



Model MHGR100



Model GR75

Model MGR75

All reels shown with optional PCC cable and clamp.

Series GR/HGR

- Aircraft Refueling • Chemical Plants
- Grain Elevators • Rescue and HazMat Operations

- Available with 1/8", 7 x 19 galvanized carbon steel cable.
- 100-amp Alligator clamp.
- Stainless steel or plastic-covered cable and "Y" branches are available at an additional charge.
- Cable guide arm of cast aluminum and ZA-12 aluminum zinc alloy.

Series GR75

- Sealed spring is a good economical choice that's compact and lightweight.

Series HGR

- A non-sparking ratchet assembly.
- Reels are repairable and parts are readily available.
- Supplied with 18" long grounding strap with eyelet connectors on both ends.

Parts Drawings: HGR Series – ISO 10 and MHGR Series – ISO 234

Model Number	Cable Capacity of Reel feet m	Approx. Weight lb. kg		Reel Dimensions*** in. mm									
		Without Cable	With Cable	A	B	C	D	E	F	G	H	X	Y
GR75	75	11	14*	2	2	7	9	9.25	3.5	9.88	5.06	1	7.88
	23	5	6	51	51	178	229	235	89	251	129	25	200
† MGR75	75†	11	13*	2	2	7	9	9.25	5.25	9.88	5.06	1	7.88
	23†	5	6	51	51	178	229	235	133	251	129	25	200
HGR50	75	28	30*	4	1.25	10.75	11.5	14.25	5.5	16.75	8.88	2.38	7.5
	23	13	14	102	32	273	292	362	159	425	226	60	191
† MHGR50	125†	19	23*	4	1.25	10.75	11.5	14.25	6.25	16.75	8.88	2.38	7.5
	38†	9	10	102	32	273	292	362	159	425	226	60	191
HGR100	100	37	41*	4	1.25	13.25	11.5	16.75	5.5	17.75	8.88	2.38	7.5
	30	17	19	102	32	337	292	425	140	451	226	60	191
† MHGR100	175†	25	31*	4	1.25	13.25	11.5	16.75	6.25	17.75	8.88	2.38	7.5
	53†	11	14	102	32	337	292	425	159	451	226	60	191

Optional GTP Gator® Clamp
(GTP-9654)
Part No. 9951.0032



Optional Browne Clamp
(ALS-10)
Part No. 9951.0031

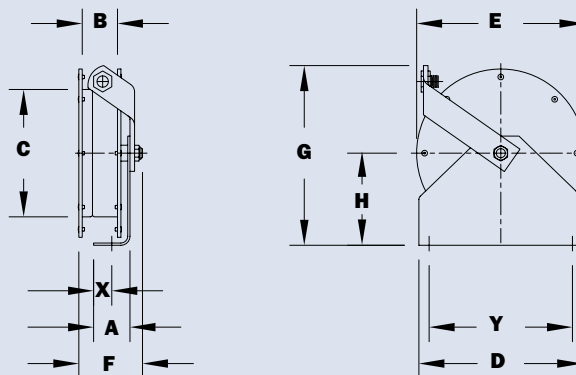


Optional Grounding Jack
per MIL-C-8341D/4
Part No. 9951.0033

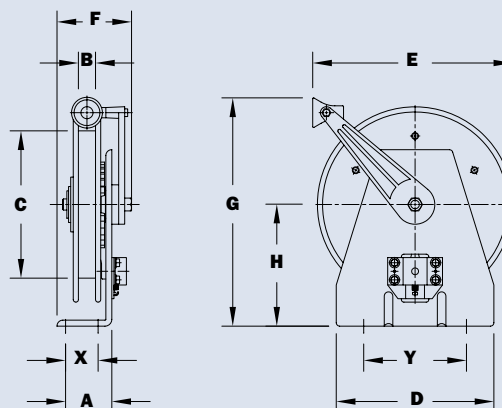


Notes:

1. Specifications subject to change.
 2. When ordering, specify model number, gauge, O.D., length, and coating if required.
 3. Specify "Y" branch if required.
 4. **Finish:** Refer to page 2.
- *Reels can be shipped as a parcel package (via FedEx or UPS Ground).
*** X, Y indicate mounting holes. See page 2.
† Capacities shown are for PCC (plastic coated cable). Capacities may be higher for uncoated cable; consult factory.



Model GR75/MGR75 – GR75 shown



Model HGR50/HGR100/MHGR50 – HGR shown

Utility Grounding Reels

- Construction Vehicles • Utility Vehicles
- Maintenance Vehicles • Rescue and HazMat Operations

Truck grounding reels.

- Easy cable pay-out.
- Quick and convenient rewind gets you back in service fast.
- Heavy-duty steel construction stands up to demanding field use.
- Direct access to lube rotary ground device.
- Serviceable pawl and pin assembly.
- Easily greaseable Zerk fitting.
- Independently tested to 43 kA for 30 cycles.¹
- Bolt-down design.
- Manual or automatic spring rewind available.
- Helps meet OSHA requirements for vehicle grounding.²
- Supplied with or without optional cable and clamp.

¹ Although Hannay SGCR and GCR Series grounding reels are rated to 43 kA for 30 cycles (the maximum fault current rating for 4/0 cable), the size and spring pull force of the reel effectively limits use of these reels to 2/0 cable and smaller. 2/0 cable has a maximum fault current rating of 27 kA. Please refer to ASTM 855-90 (Standard Specification for Temporary Grounding Systems) for more information.

² OSHA Subpart V, Section 1926.952, requires grounding of vehicles working near energized lines or equipment. Hannay grounding reels help meet this requirement and encourage crew compliance by providing a simple, efficient method of handling heavy grounding cable.

Model SGCR 10-17-19

Spring Rewind Grounding Reel

- Fast, convenient automatic spring rewind.
- A ratchet mechanism locks the reel.
- Built-in cable hoop.
- Internal rotary device.



Model SGCR 10-17-19

Spring rewind
Standard configuration shown

Model GCR 10-17-19

Manual Rewind Grounding Reel

- Offers manual rewind with a hand crank permanently attached to the disc.
- Internal rotary device.



Model GCR 10-17-19

Manual rewind
Standard configuration shown

Model GC 10-17-19

Manual Storage Reel (Not Shown)

- Storage only.
- Manual rewind with a hand crank permanently attached to the disc.

PARTS DRAWING – MODEL SGCR 10-17-19 – ISO 95

Model Number	Cable Capacity of Reel feet m				Approx. Weight lb. kg	
	Ga./No. of Conductors					
	O.D. in. mm	#2 13	1/0 16	2/0 17	NET (less cable)	SHIP (less cable)
SGCR 10-17-19	75	75	65	43	52	
	23	23	20	20	24	
GCR 10-17-19	150	90	90	30	36	
	46	27	27	14	16	
GC 10-17-19	150	90	90	28	34	
	46	27	27	13	15	

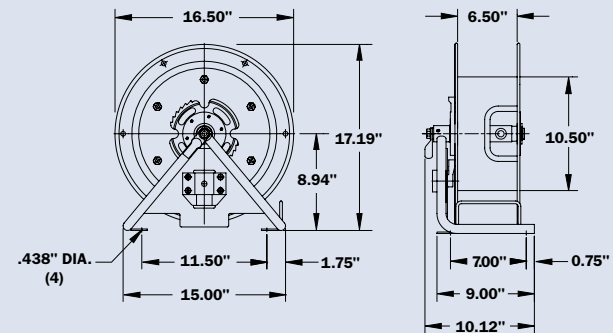
Notes:

1. Specifications subject to change.
2. When ordering, specify model number, cable gauge, O.D., length, and coating if required.
3. Specify finish if other than standard.
Reels can be shipped as a parcel package (via FedEx or UPS Ground).

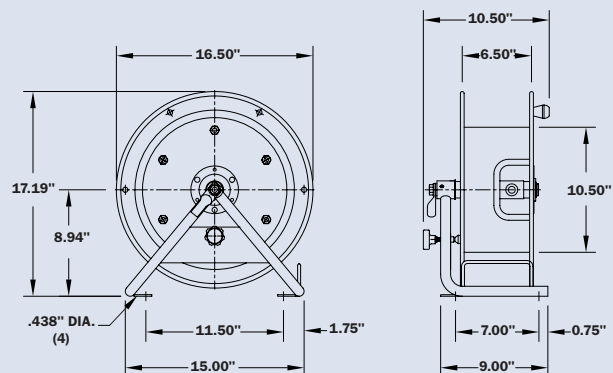
Note: If shipping reel with cable, add 16 lbs. for packaging, plus weight of cable.

Cable Weights:

- #2 gauge = .28 lb/ft
- 1/0 gauge = .43 lb/ft
- 2/0 gauge = .52 lb/ft



Model SGCR 10-17-19



Model GCR 10-17-19

Hannay Reels **Sales Policies**

Hannay Reels 3-Year Limited Warranty

Products manufactured by Hannay Reels, Inc. ("Hannay") are warranted for 3 years from date of shipment when properly installed, maintained, and operated in accordance with Hannay instructions. In no event will Hannay have a warranty obligation for normal wear and tear, or for products that have, at Hannay's determination, been subjected to accident, abuse, misapplication, improper installation or improper maintenance. Common examples of normal wear and tear would include paint finish, swivel joint seal wear, and switch or motor brush wear.

Hannay makes no warranties, express or implied, other than those included in this warranty statement, and we disclaim any implied warrant of merchantability or fitness for any particular purpose. Hannay will not be liable for any consequential, incidental, or indirect damages from any cause whatsoever.

Failure to use a flexible inlet connection on any live hose reel will void the swivel joint warranty. Failure to use a properly sized circuit breaker with any electric rewind motor will void the electric motor warranty. Failure to use a filter and lubricator on any air rewind motor will void the air motor warranty. Failure to follow all procedures outlined in the Safety Guidelines document will void the warranty.

Components not manufactured by Hannay will be subject to the original manufacturers' warranties. Examples of such components include: hose and cable, motors, speed controls, and switches, swivel joints and seals, slip ring and brush assemblies.

Equipment which proves to be defective upon our inspection will be replaced free of charge, including freight to the customer. Our responsibility ceases upon delivery to any common carrier and we do not, unless previously instructed, insure shipments beyond point of delivery to such carrier. **No material will be accepted for return without a return goods authorization (RGA).** This warranty extends to the replacement or repair of the reel or part (no labor).

Hannay reserves the right to modify or alter materials, dimensions, design, and construction when necessary to improve the performance of the reel and/or accessories, or to meet delivery requirements.

Notice on Reel Finish

Standard finish on Hannay reels is a high performance enamel paint. Standard color is metallic graphite. Other colors available, please consult factory.

Most of the major components on standard reels are e-coated prior to receiving final topcoat paint finish. This combination of e-coat and enamel topcoat will meet the finish requirements of most customer applications and environments.

In cases where requirements cannot be met with the standard finish, Hannay Reels can coat any model reel with an automotive primer, allowing application of final coating at your facility.

Alternatively, Hannay Reels can provide a quote for matching a customer-provided paint specification. For further information, please contact your Hannay Reels sales engineer and a special paint request form will be sent to you.

For environments where no paint finish is suitable, we offer both aluminum and stainless steel (304 grade) construction on most reel models.

Return Goods Policy

All Hannay reels are built to order. These orders are typically placed into production within 1 business day of receipt. Once production begins, it may not be possible to cancel the order.

To prevent returns because the wrong reels or parts were ordered, please use the Hannay Reels Spec Worksheet (either online or from our Ordering & Accessory Guide) when specifying reels. Be sure to include any size, weight, pressure and/or material compatibility limitations for the application.

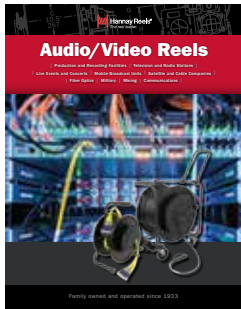
In the event that an item does need to be returned for credit, repair or replacement, prior approval must be obtained from Hannay Reels. Upon your request, we will send a Return Goods

Authorization (RGA) form. A signed copy of this form must accompany the material when returned to us, with the RGA number clearly showing on the outside of the box—a label is provided to you that you can print and attach. No product will be accepted for return or credit without an authorized RGA number.

All material must be returned prepaid, unless otherwise noted on our RGA. No return will be accepted that has been damaged due to improper return packaging, tampered with or altered from its original condition. Our restocking and handling fee is a minimum of 25% for standard catalog reels and parts. Custom reels specially built to customer specifications cannot be returned for any reason.

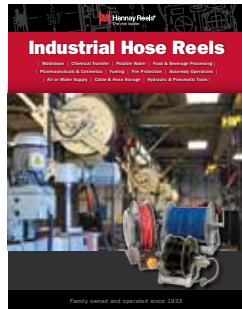
Find reels for every need.

Learn more about all of our reels, including specs, drawings, and even how to select the right reels and accessories for your industry.



Audio/Video Reels

- Audio/Video cable storage
- Fiber optic cable storage
- Portable reels on wheels or handheld
- Stackable reels
- Removable spool portable reels



Industrial Hose Reels

- High pressure/low pressure reels
- Air/Lube/Grease reels
- Fueling
- Washdown/Power Wash
- Industrial Fire Protection
- Hydraulic/Pneumatic applications
- Hose storage



Ordering & Accessory Guide

- Selecting the right reel
- Reel components
- Available accessories
- How to spec and order reels and accessories
- Ordering options
- Hannay Reels policies



Spray and Pressure Washing Hose Reels

- Washdown/Power Wash
- Pest Control/Fertilizers
- Air/Water/Grease
- Steam Cleaning
- Spray operations
- Portable hose reels



Welding Reels

- Mobile and fixed installations
- Arc welding
- Gas welding
- Cutting operations

View all our reel catalogs online at hannay.com



Family owned and operated since 1933, Hannay Reels is the world leader in both OEM and aftermarket applications. Hannay offers thousands of standard hose reel and cable reel models, as well as unmatched custom capabilities. We can easily and affordably customize a reel to meet your exact specifications – built to last, delivered fast. Additional catalogs are available through your local Hannay Reels dealer or online at hannay.com.



553 State Route 143 | Westerlo, New York 12193
 Email: reels@hannay.com | hannay.com



All Hannay reels are constructed of quality heavy gauge steel (optional aluminum or stainless steel also available on most models).

