

C  
10.5"  
267



**Hannay Reels®**  
The reel leader.

# Cable Reels

- | Rescue and HazMat Operations | Agriculture | Grounds Maintenance and MRO | Electric Tools |
- | Portable Lighting | Broadcast/Entertainment | Auxiliary Leads for Power Generation |
- | Hoist and Crane Operations | Static Grounding | Utility Grounding | Video Inspection |



Family owned and operated since 1933

# CONTENTS

Hannay cable reels come in all sizes and capacities.

Reel Type	Page
<b>Manual or Power Rewind Reels</b>	
Series C – Storage Only	3
Series C1500 – Storage Only	4
Series C3200 – Storage Only	5
Series CR	6-7
<b>Spring Rewind Reels</b>	
Series NSCR700/SCR700	8-9
Model SCR10-17-19	10
<b>Portable Reels</b>	
Model LC16-10-11/Series CR	11
Model C16-10-11/C20-14-16 – Storage Only	12
Model AT1300/4300	13
Model C1150/ATC1250 – Storage Only	14
<b>Custom Engineering</b>	
Cable Reels and Spools	15
<b>Grounding Reels</b>	
Static Grounding Reels – Series GR/HGR	16-17
Utility Grounding Reels	18
<b>Hannay Reels Sales Policies</b>	19



## You Can't Buy A Better Reel.

No matter what your industry, you need cable reels that improve efficiency, productivity, and safety in your operation. We meet these stringent application, installation, and function requirements with the largest model offering and custom design reel options in the industry.

Every Hannay reel is handcrafted from the highest quality materials and designed exclusively for the industry it will be used in – never retrofitted to the job. That means you can trust our rugged, dependable reels to provide perfect fit and function for years to come.

### Here's what makes Hannay Reels the #1 choice of OEMs:

- Multi-position roller assembly features dual arms to give maximum support from each side.
- Heavy 14-gauge disc has rolled edges that add rigidity and strength.
- One-piece hub assembly for superior strength.
- Externally mounted spring motor and ratchet pawl lock for the most serviceable reel available.
- Drums are 304-grade stainless steel for maximum corrosion resistance.
- 11-gauge steel modular frame bolts easily to standard footprint patterns.
- Sealed axle bearings provide superior wear and effortless operation.



### Mounting Hole Sizes

<b>N Series Reels</b>	7/16" wide x 7/8" long slot running front to back
<b>Pressed Frame Reels and Channel Framed Reels</b>	7/16" wide x 7/8" long slot running left to right
<b>Utility Grounding</b>	7/16" round holes
<b>Series 1500, Static Grounding</b>	13/32" round holes

**To handle 3/4" through 1" O.D. cable.  
For storage only. No live connections.**

- Heavy-duty reels.
- 4-1/2" x 9" (114 mm x 229 mm) opening in the drum.
- Many optional configurations available.
- Gear-driven crank rewind; or chain and sprocket drive powered by electric, compressed air or hydraulic motor.
- Auxiliary crank rewind is available on power reels.
- Crank rewind reels supplied with pinion brake.
- Power rewind standard with a strap brake.
- Consult factory for other brakes and locking devices.
- Rollers and roller mounting brackets are accessory items. Specify roller position.
- Optional divider discs available with a cut-out.  
**Note:** Must add "SDD" at the end of model number and disc location must be specified when ordering.
- Drum diameters other than the standard are available.  
**Note:** Larger drum diameter reduces reel capacity.



Standard configuration shown

### PARTS DRAWING – ISO 71

Model Number <small>For power rewind see Note 5</small>	Cable Capacity of Reel feet m			Approx. Weight Crank Rewind lb. kg		Reel Dimensions*** in. mm									
	O.D. in. mm	3/4 19	1 25	NET	SHIP	A	B	D	E	F CRANK	F POWER	G	H	X	Y
<b>C20-19-21-10.5</b>	<b>250</b>	<b>150</b>	<b>66</b>	<b>101</b>	<b>17</b>	<b>11.5</b>	<b>20.5</b>	<b>18.75</b>	<b>20</b>	<b>24.5</b>	<b>21.5</b>	<b>12.12</b>	<b>9</b>	<b>16.75</b>	
	76	46	30	46	432	292	521	476	508	622	546	308	229	425	
<b>C26-19-21-10.5</b>	<b>350</b>	<b>200</b>	<b>78</b>	<b>113</b>	<b>23</b>	<b>17.5</b>	<b>20.5</b>	<b>18.75</b>	<b>26</b>	<b>30.5</b>	<b>21.5</b>	<b>12.12</b>	<b>15</b>	<b>16.75</b>	
	107	61	35	51	584	445	521	476	660	775	546	308	381	425	
<b>C20-23-24-10.5</b>	–	<b>250</b>	<b>73</b>	<b>108</b>	<b>17</b>	<b>11.5</b>	<b>20.5</b>	<b>22.75</b>	<b>20</b>	<b>24.5</b>	<b>23.5</b>	<b>12.12</b>	<b>9</b>	<b>16.75</b>	
	–	76	33	49	432	292	521	578	508	622	597	308	229	425	
<b>C28-23-24-10.5</b>	–	<b>475</b>	<b>89</b>	<b>124</b>	<b>25.5</b>	<b>20</b>	<b>20.5</b>	<b>22.75</b>	<b>28.5</b>	<b>33</b>	<b>23.5</b>	<b>12.12</b>	<b>17.5</b>	<b>16.75</b>	
	–	145	40	56	648	508	521	578	724	838	597	308	445	425	
<b>C20-25-26-10.5</b>	–	<b>325</b>	<b>86</b>	<b>121</b>	<b>17</b>	<b>11.5</b>	<b>25.5</b>	<b>24.75</b>	<b>20</b>	<b>24.5</b>	<b>27.88</b>	<b>15.5</b>	<b>9</b>	<b>21.75</b>	
	–	99	39	55	432	292	648	629	508	622	708	394	229	552	
<b>C24-25-26-10.5</b>	–	<b>450</b>	<b>94</b>	<b>129</b>	<b>21</b>	<b>15.5</b>	<b>25.5</b>	<b>24.75</b>	<b>24</b>	<b>28.5</b>	<b>27.88</b>	<b>15.5</b>	<b>13</b>	<b>21.75</b>	
	–	137	43	59	533	394	648	629	610	724	708	394	330	552	
<b>C18-30-31-10.5</b>	–	<b>375</b>	<b>90</b>	<b>125</b>	<b>15</b>	<b>9.5</b>	<b>25.5</b>	<b>28.75</b>	<b>18</b>	<b>22.5</b>	<b>29.88</b>	<b>15.5</b>	<b>7</b>	<b>21.75</b>	
	–	114	41	57	381	241	648	730	457	572	759	394	178	552	

**Notes:**

1. Specifications subject to change.
2. Upon request, reels can be supplied with drum lengths other than shown and with disc sizes in other diameters.
3. Dimensions reflect pressed frames.
4. Weights shown in chart are for crank rewind models. ADD these amounts for power rewind models:

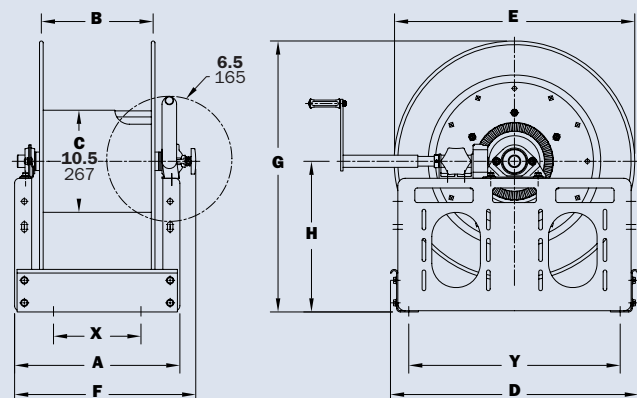
	Net lbs/kg	Ship lbs/kg
<b>Electric</b>	<b>40/18.1</b>	<b>40/18.1</b>
<b>Hydraulic</b>	<b>20/9.1</b>	<b>20/9.1</b>
<b>Air</b>	<b>20/9.1</b>	<b>20/9.1</b>

5. When ordering power rewind models, prefix model number with:

- A** = Air Rewind – Supplied with control valve and 18" air hose.
- EP** = Electric Rewind – (1/2 HP) 12v and 24v DC rewind reels are supplied with switch and solenoid; 115v AC rewind reels are not supplied with switch but can be ordered separately.
- HD** = Hydraulic Rewind – Not supplied with control valve.

6. Be sure to check dimensions and weights prior to ordering.

\*\*\* X, Y indicate mounting holes. See page 2.



# Series C1500

• Cable • Hose • Rope • Wire

**To handle 1/4" through 1" O.D.  
For storage only. No live connections.**

- Reels are designed for storage of long lengths of cable, hose, rope, wire or other materials.
- A 1-1/8" x 2-3/8" (28 mm x 60 mm) opening in the drum to initiate winding.
- Direct crank rewind, permanently attached. Removable crank option is available. Also available is a chain and sprocket rewind powered by electric, compressed air or hydraulic motor.
- Supplied with cam-lock brake on manual rewind models only.
- Optional divider discs available with a cut-out.
- Note:** Must add "SDD" at the end of model number and disc location must be specified when ordering.
- Rollers and roller mounting brackets are accessory items. Specify roller position.



**Optional External Mounting Brackets**

Part No. 9906.0027.  
Add 2-1/2" to the X dimensions shown in the chart.



Standard configuration with optional slotted divider disc shown



Standard configuration with optional finish shown

**PARTS DRAWING – ISO 218 (MANUAL); ISO 219 (POWER)**

Model Number For power rewind see Note 5	Cable Capacity of Reel feet m					Approx. Weight Crank Rewind lb. kg see Note 4			Reel Dimensions*** in. mm						
	O.D. in. mm	1/4 6	1/2 13	3/4 19	1 25	NET	UPS/ FedEx SHIP Wt.	Freight SHIP Wt.	A	B	E CRANK	E POWER	F CRANK	F POWER	X
<b>C1512-17-18</b>	<b>900</b>	<b>200</b>	-	-	-	<b>22</b>	<b>53*</b>	<b>57</b>	<b>9</b>	<b>4</b>	<b>17.5</b>	<b>19</b>	<b>16</b>	<b>13.5</b>	<b>7.5</b>
	274	61	-	-	-	10	24	26	229	102	445	483	406	343	191
<b>C1514-17-18</b>	<b>1300</b>	<b>300</b>	<b>150</b>	<b>75</b>	<b>23</b>	<b>65*</b>	<b>58</b>	<b>11</b>	<b>6</b>	<b>17.5</b>	<b>19</b>	<b>18</b>	<b>15.5</b>	<b>9.5</b>	
	396	91	46	23	10	30	26	279	152	445	483	457	394	241	
<b>C1516-17-18</b>	-	<b>400</b>	-	-	<b>24</b>	<b>68*</b>	<b>59</b>	<b>13</b>	<b>8</b>	<b>17.5</b>	<b>19</b>	<b>20</b>	<b>17.5</b>	<b>11.5</b>	
	-	122	-	-	11	31	27	330	203	445	483	508	445	292	
<b>C1520-17-18</b>	-	<b>650</b>	<b>300</b>	<b>150</b>	<b>25</b>	<b>80*</b>	<b>60</b>	<b>17</b>	<b>12</b>	<b>17.5</b>	<b>19</b>	<b>24</b>	<b>21.5</b>	<b>15.5</b>	
	-	198	91	46	11	36	27	432	305	445	483	610	546	394	
<b>C1526-17-18</b>	-	<b>900</b>	<b>450</b>	<b>225</b>	<b>27</b>	<b>98*</b>	<b>62</b>	<b>23</b>	<b>18</b>	<b>17.5</b>	<b>19</b>	<b>30</b>	<b>27.5</b>	<b>21.5</b>	
	-	274	137	69	12	45	28	584	457	445	483	762	699	546	
<b>C1530-17-18</b>	-	<b>1000</b>	<b>550</b>	<b>275</b>	<b>29</b>	<b>110*</b>	<b>64</b>	<b>27</b>	<b>22</b>	<b>17.5</b>	<b>19</b>	<b>34</b>	<b>31.5</b>	<b>25.5</b>	
	-	305	168	84	13	50	29	686	559	445	483	864	800	648	

**Notes:**

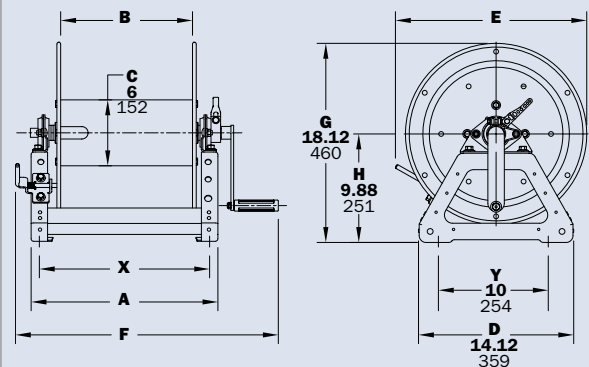
- Specifications subject to change.
- Upon request, reels can be supplied with drum lengths other than shown and with disc sizes in other diameters.
- Dimensions reflect pressed frames.
- Weights shown in chart are for crank rewind models. ADD these amounts for power rewind models (does not apply to FedEx or UPS):

	Net lbs/kg	Ship lbs/kg
<b>Electric</b>	<b>18/8.2</b>	<b>18/8.2</b>
<b>Hydraulic</b>	<b>15/6.8</b>	<b>15/6.8</b>
<b>Air</b>	<b>15/6.8</b>	<b>15/6.8</b>

- When ordering power rewind models, prefix model number with:
  - A** = Air Rewind – Supplied with control valve and 18" air hose.
  - E** = Electric Rewind – 12v and 24v DC rewind reels are supplied with switch and solenoid; 115v AC rewind reels are not supplied with switch but can be ordered separately.
  - HD** = Hydraulic Rewind – Not supplied with control valve.

**6. Be sure to check dimensions and weights prior to ordering.**

\*Dimensional weight applies when shipped as a parcel package (via FedEx or UPS Ground).  
\*\*\* X, Y indicate mounting holes. See page 2.



Crank rewind shown

# Series C3200

• Cable • Hose • Rope • Wire

**To handle 1/2" through 1" O.D.  
For storage only. No live connections.**

- A 4-1/2" x 9" (114mm x 229mm) opening in the drum to initiate winding.
  - Designed for storage of long lengths of cable, hose, rope, wire or other materials.
  - Choose disc rewind or removable direct crank rewind.
  - Supplied with spring actuated pin lock.
  - Optional divider discs available with a cut-out.
- Note:** Must add "SDD" at the end of model number and disc location must be specified when ordering.
- Rollers and roller mounting brackets are accessory items. Specify roller position.
  - For power rewind, see Series C on page 3.



Standard configuration with crank handle shown



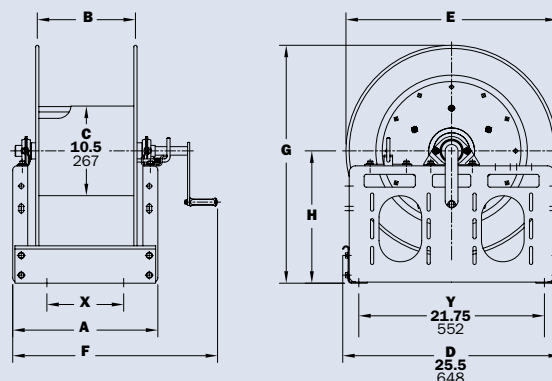
**Optional Aluminum Hand Cart**  
4300-AL mounting available.

**PARTS DRAWING – ISO 117**

Model Number	Cable Capacity of Reel feet m				Approx. Weight Crank Rewind lb. kg		Reel Dimensions*** in. mm					
	O.D. in. mm	1/2 13	3/4 19	1 25	NET	SHIP	A	B	E CRANK	F CRANK	G	H
C3216-25-26-10.5	-	350	150	81	123	13	7.5	24.75	20.75	27.88	15.5	7.75
	-	107	46	37	56	330	191	629	527	708	394	197
C3218-25-26-10.5	1000	450	200	85	127	15	9.5	24.75	22.75	27.88	15.5	7
	305	137	61	39	58	381	241	629	578	708	394	178
C3222-25-26-10.5	-	700	300	93	135	19	13.5	24.75	26.75	27.88	15.5	11
	-	213	91	42	61	483	343	629	679	708	394	279
C3228-25-26-10.5	-	1000	500	109	151	25.5	20	24.75	33.25	27.88	15.5	17.5
	-	305	152	49	68	648	508	629	845	708	394	445
C3230-25-26-10.5	-	-	550	113	155	27.5	22	24.75	35.25	27.88	15.5	19.5
	-	-	167	51	70	699	559	629	895	708	394	495
C3234-25-26-10.5	-	1300	650	122	164	31.5	26	24.75	39.25	27.88	15.5	23.5
	-	396	198	55	74	800	660	629	997	708	394	597

**Notes:**

1. Specifications subject to change.
  2. Upon request, reels can be supplied with drum lengths other than shown and with disc sizes in other diameters.
  3. Dimensions reflect pressed frames.
  4. Requires 3-1/2" clearance to remove crank handle.
  5. Subtract 5" from "F" dimension for disc rewind.
  6. **Be sure to check dimensions and weights prior to ordering.**
- \*\*\* X, Y indicate mounting holes. See page 2.



# Series CR

• CR1600 • ECR1600 • CR6600 • ECR6600

**To handle live electric cable.**

- 3-conductor, 45-amp, 600-volt collector assembly with #8 gauge wiring.
- Double brushes per circuit. Brushes are copper graphite, copper alloy rings.
- Additional conductors or higher amperage (up to 100 amps) are available at extra cost, must be specified. (300 amps possible with custom design.)
- Silver collector assemblies are available.
- Rollers and roller mounting brackets are accessory items. Specify roller position.

**Series CR1600**

- Removable direct crank rewind.
- Adjustable cam-lock drag brake.

**Series ECR1600\***

- Optional strap brake is available.
- Some roller options may prohibit the use of our molded chain guard.

**Series CR6600**

- Gear-driven crank rewind.

**Series ECR6600**

- Chain and sprocket drive powered by electric, compressed air or hydraulic motor.
- Auxiliary rewind and pinion brake standard.
- Consult factory for other brakes.
- Optional chain guards are available upon request.



**Optional External Mounting Brackets**

Part No. 9906.0025.  
Available for CR1600 and ECR1600 models.



**Series CR1600–Manual Rewind**  
Standard configuration shown



**Series ECR1600–Electric Rewind (E)**  
Standard configuration shown

\* For CR reels with minimized height or depth requirements, refer to our Rescue Reels catalog H-0503-R.



**ELFCR1600 shown**

Choose an ELFCR model when height of reel must be minimized



**ESFCR1600 shown**

Choose an ESFCR model when depth of reel must be minimized



**Series ECR6600–Electric Rewind (E)**  
Optional left top configuration shown

# Series CR

• CR1600 • ECR1600 • CR6600 • ECR6600

**PARTS DRAWING – SERIES CR1600 – ISO 76; SERIES CR6600 – ISO 45**

Model Number For power rewind see Note 5	Cable Capacity of Reel feet m					Approx. Weight Crank Rewind lb. kg		Reel Dimensions*** in. mm												
	O.D. in. mm	Ga./No. of Conductors					NET	SHIP	A	B	C	D	E CRANK	E POWER	F CRANK	F POWER	G	H	X	Y
		12/3	10/3	8/3	12/4	10/4														
<b>CR1614-17-18</b>	<b>175</b>	<b>100</b>	–	<b>100</b>	<b>100</b>	<b>30</b>	<b>68*</b>	<b>11</b>	<b>6</b>	<b>6</b>	<b>14.12</b>	<b>16.5</b>	<b>19</b>	<b>23</b>	<b>16.75</b>	<b>18.12</b>	<b>9.88</b>	<b>9.5</b>	<b>10</b>	
	53	30	–	30	30	14	31	279	152	152	359	419	483	584	425	460	251	241	254	
<b>CR1616-17-18</b>	<b>200</b>	<b>150</b>	–	<b>150</b>	<b>150</b>	<b>32</b>	<b>68*</b>	<b>13</b>	<b>8</b>	<b>6</b>	<b>14.12</b>	<b>16.5</b>	<b>19</b>	<b>25</b>	<b>18.75</b>	<b>18.12</b>	<b>9.88</b>	<b>11.5</b>	<b>10</b>	
	61	46	–	46	46	15	31	330	203	152	359	419	483	635	476	460	251	292	254	
<b>CR1618-17-18</b>	<b>275</b>	<b>200</b>	–	<b>200</b>	<b>200</b>	<b>33</b>	<b>80*</b>	<b>15</b>	<b>10</b>	<b>6</b>	<b>14.12</b>	<b>16.5</b>	<b>19</b>	<b>27</b>	<b>20.75</b>	<b>18.12</b>	<b>9.88</b>	<b>13.5</b>	<b>10</b>	
	84	61	–	61	61	15	36	381	254	152	359	419	483	686	527	460	251	343	254	
<b>CR1620-17-18</b>	<b>350</b>	<b>250</b>	–	<b>250</b>	<b>225</b>	<b>34</b>	<b>80*</b>	<b>17</b>	<b>12</b>	<b>6</b>	<b>14.12</b>	<b>16.5</b>	<b>19</b>	<b>29</b>	<b>22.75</b>	<b>18.12</b>	<b>9.88</b>	<b>15.5</b>	<b>10</b>	
	107	76	–	76	69	15	36	432	305	152	359	419	483	737	578	460	251	394	254	
<b>CR6614-19-21-10.5</b>	<b>150</b>	<b>100</b>	–	<b>125</b>	<b>100</b>	<b>113</b>	<b>148</b>	<b>11</b>	<b>5.5</b>	<b>10.5</b>	<b>20.5</b>	<b>22</b>	<b>22</b>	<b>16</b>	<b>16</b>	<b>21.5</b>	<b>12.12</b>	<b>5.75</b>	<b>16.75</b>	
	46	30	–	38	30	51	67	279	140	267	521	559	559	406	406	546	308	146	425	
<b>CR6614-23-24-10.5</b>	<b>300</b>	<b>225</b>	<b>175</b>	<b>250</b>	<b>200</b>	<b>120</b>	<b>155</b>	<b>11</b>	<b>5.5</b>	<b>10.5</b>	<b>20.5</b>	<b>23</b>	<b>23</b>	<b>16</b>	<b>16</b>	<b>23.5</b>	<b>12.12</b>	<b>5.75</b>	<b>16.75</b>	
	91	69	53	76	61	54	70	279	140	267	521	584	584	406	406	597	308	146	425	
<b>CR6614-25-26-10.5</b>	<b>350</b>	<b>250</b>	<b>200</b>	<b>300</b>	<b>225</b>	<b>133</b>	<b>168</b>	<b>11</b>	<b>5.5</b>	<b>10.5</b>	<b>25.5</b>	<b>24.75</b>	<b>24.75</b>	<b>16</b>	<b>16</b>	<b>27.88</b>	<b>15.5</b>	<b>5.75</b>	<b>21.75</b>	
	107	76	61	91	69	60	76	279	140	267	648	629	629	406	406	708	394	146	552	

**Notes:**

- Specifications subject to change.
- Upon request, reels can be supplied with drum lengths other than shown and with disc sizes in other diameters.
- Dimensions reflect pressed frames.
- Weights shown in chart are for crank rewind models. Add these amounts for power rewind models:

Series CR1600	Net lbs/kg	Ship lbs/kg
Electric	18/8.2	18/8.2
Hydraulic	15/6.8	15/6.8
Air	15/6.8	15/6.8

Series CR6600	Net lbs/kg	Ship lbs/kg
Electric (1/3 HP)	18/8.2	18/8.2
Electric (1/2 HP)	40/18.1	40/18.1
Hydraulic	20/9.1	20/9.1
Air	20/9.1	20/9.1

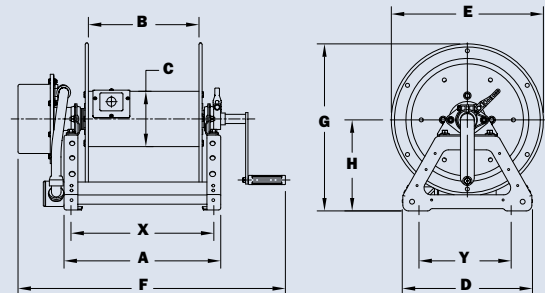
- When ordering power rewind models, prefix model number with:
  - A** = Air Rewind – Supplied with control valve and 18" air hose.
  - E** = Electric Rewind – (1/3 HP) (Series CR1600 & CR6600)
  - EP** = Electric Rewind – (1/2 HP) (Series CR6600)  
12v and 24v DC rewind reels are supplied with switch and solenoid; 115v AC rewind reels are not supplied with switch but can be ordered separately.

**HD** = Hydraulic Rewind – Not supplied with control valve.

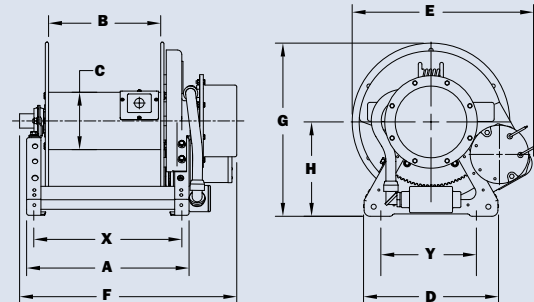
- Add 2-1/8" to "A" dimension when using external mounting brackets on CR1600, ECR1600 Series reels.
- When ordering reels with a 4-conductor, add 2" to "F" dimensions.
- Be sure to check dimensions and weights prior to ordering.**

\* Dimensional weight applies when shipped as a parcel package (via FedEx or UPS Ground).

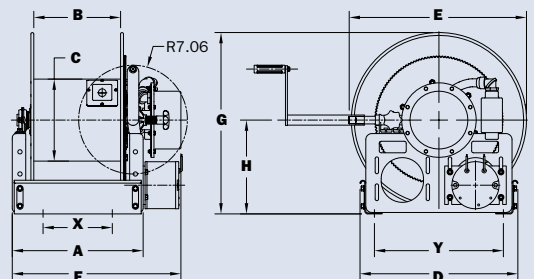
\*\*\*X, Y indicate mounting holes. See page 2.



Series CR1600 (Manual Rewind)



Series ECR1600 (Power Rewind)



Series ECR6600 (Power Rewind)

# Series NSCR700/SCR700

## To handle live electric cable.

- Heavy-duty spring motor.
- Non-sparking ratchet.
- Declutching arbor.
- Consult factory for constant tension applications.
- 3-conductor, 45-amp, 600-volt collector assembly with #8 gauge wiring.
- Double brushes per circuit. Brushes are copper graphite with copper alloy rings.
- Additional conductors or higher amperage (up to 300-amps) available; consult factory.
- Silver collector available.
- Supplied with a 4-way roller assembly. Roller position must be specified.
- A cable stop should be used.
- For vertical lift, stretch, and/or crane installation, consult factory for proper spring specifications.



**Series NSCR700**  
Standard SR configuration shown



### Optional Swivel Mounting Bracket

Part No. 9908.9990.  
For **N-Series** spring retractable reels,  
available as a kit. Conditions apply,  
consult factory.



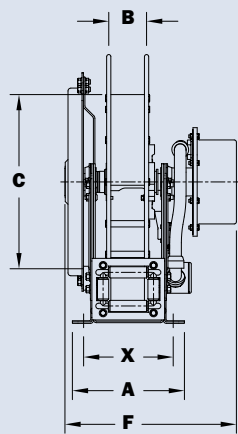
**Series SCR700**  
Standard SR configuration shown



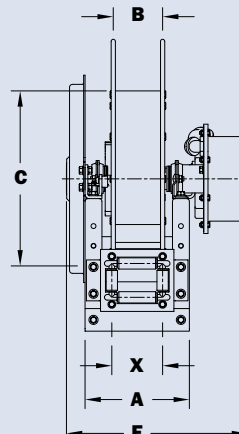
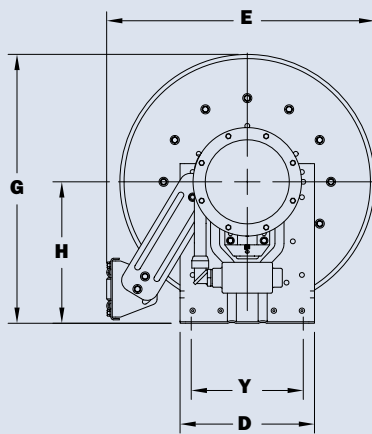
# Series NSCR700/SCR700

**PARTS DRAWING – SERIES NSCR700 – ISO 164; SERIES SCR700 – ISO 49**

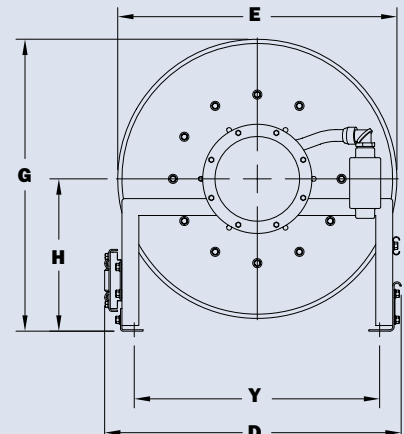
Model Number	Cable Capacity of Reel feet m				Approx. Weight lb. kg		Roller Assy.	Reel Dimensions*** in. mm										
	O.D. in. mm	Ga./No. of Conductors				NET		SHIP	A	B	C	D	E	F	G	H	X	Y
		.53 14	.60 15	.69 18	.75 19													
NSCR715-14-16-8C	35	25	-	-	59	74	N203	9	3	8	12	18.12	14.5	16.12	9.12	7	10	
	11	8	-	-	27	34		229	76	203	305	460	368	409	232	178	254	
NSCR715-16-17-10.5C	40	35	-	-	62	77	N203	9	3	10.5	12	19	14.5	17	9.12	7	10	
	12	11	-	-	28	35		229	76	267	305	483	368	432	232	178	254	
NSCR715-19-20-10.5J	50	50	50	50	74	109	N203	9	3	10.5	12	20.75	14.5	20	10.62	7	10	
	15	15	15	15	34	49		229	76	267	305	527	368	508	270	178	254	
NSCR716-23-24-15.5B	75	75	75	75	99	134	N204	10	4	15.5	12	24	15.5	24	12.62	8	10	
	23	23	23	23	45	61		254	102	394	305	610	394	610	321	203	254	
NSCR716-23-24-15.5G	100	100	-	-	105	140	N204	10	4	15.5	12	24	15.5	24	12.62	8	10	
	30	30	-	-	48	64		254	102	394	305	610	394	610	321	203	254	
NSCR716-23-24-15.5 SD	-	-	100	-	107	142	N204	10	4	15.5	12	24	16.25	24	12.62	8	10	
	-	-	30	-	48	64		254	102	394	305	610	394	610	321	203	254	
SCR715-19-20-10.5J	50	50	50	50	74	109	R203	8.25	3	10.5	19.88	18.75	15.12	19.75	10.38	3.5	14.75	
	15	15	15	15	34	49		210	76	267	505	476	384	502	264	89	375	
SCR716-23-24-15.5B	75	75	75	75	99	134	R204	9.25	4	15.5	24.5	22.75	16.12	23.88	12.5	4.5	20	
	23	23	23	23	45	61		235	102	394	622	578	409	607	318	114	508	
SCR716-23-24-15.5G	100	100	-	-	105	140	R204	9.25	4	15.5	24.5	22.75	16.12	23.88	12.5	4.5	20	
	-	-	-	-	48	64		235	102	394	622	578	429	607	318	114	508	
SCR716-23-24-15.5 SD	-	-	100	-	107	142	R204	9.25	4	15.5	24.5	22.75	16.88	23.88	12.5	4.5	20	
	-	-	30	-	48	64		235	102	394	622	578	409	607	318	114	508	
SCR716-30-31-20A	120	120	120	120	127	162	R204	9.25	4	20	30.5	28.75	16.88	31.38	17	4.5	25.25	
	37	37	37	37	58	73		235	102	508	775	730	429	797	432	114	641	



Series NSCR700



Series SCR700

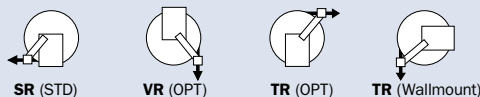


**Notes:**

- Specifications subject to change.
- For reels with 4-conductor, 45-amp collector assemblies, add 2" to "F" dimension.
- Reel models and capacities shown are for standard drag applications; for heavy-duty or vertical lift applications, consult factory.
- Other sizes from standard components available upon request.
- Be sure to check dimensions and weights prior to ordering.**
- Roller assembly is supplied on standard models.

\*\*\*X, Y indicate mounting holes. See page 2.

**Available Roller Positions**



# Model **SCR10-17-19**

**To handle live electric cable.**

- Heavy-duty spring motor.
- Non-sparking ratchet assembly.
- Declutching arbor.
- 3-conductor, 30-amp collector ring.
- 6 foot power source lead with 15-amp, 3-prong straight blade plug (optional twist lock is available).
- Cable stop should be used.



Standard configuration shown



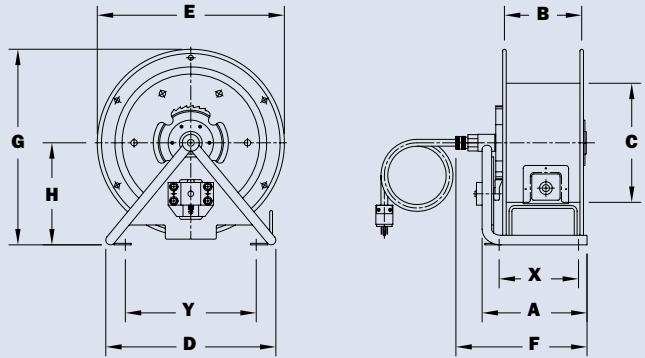
**Optional Roller Mounting Bracket**  
Part No. 9939.0004

**PARTS DRAWING – ISO 46**

Model Number	Cable Capacity of Reel feet m				Approx. Weight lb. kg		Reel Dimensions*** in. mm									
	O.D. in. mm	Ga./No. of Conductors			NET	SHIP	A	B	C	D	E	F	G	H	X	Y
		16/3	14/3	12/3												
<b>SCR10-17-19</b>	<b>70</b>	<b>70</b>	<b>75</b>	<b>42</b>	<b>52*</b>	<b>9.25</b>	<b>6.5</b>	<b>10.5</b>	<b>15</b>	<b>16.5</b>	<b>11.75</b>	<b>17.12</b>	<b>8.94</b>	<b>7</b>	<b>11.56</b>	
	21	21	23	19	24	235	165	267	381	419	298	435	227	178	294	

**Notes:**

1. Specifications subject to change.
  2. **Be sure to check dimensions and weights prior to ordering.**
- \*When shipped as a parcel package (via FedEx or UPS Ground).  
\*\*\*X, Y indicate mounting holes. See page 2.



# Model **LC16-10-11** Series **CR**

### Model LC16-10-11 (Storage)

- Waterproof duplex receptacle for 3-pronged plug.
- Twist lock duplex is available.
- Adjustable cam-lock drag brake.
- Equipped with one durable rubber twist tie for cable ends.

### Series CR (Live)

- Compact, lightweight, rugged construction.
- 3-conductor, 30-amp collector ring.
- 6 foot power source lead with 15-amp, 3-prong straight blade plug (optional twist lock is available).
- Adjustable cam-lock drag brake.

### Rewind:

- Crank rewind permanent.



**LC16-10-11**  
• Extension Cord  
• Broadcast Cable

**Series CR**  
• Industrial  
• Broadcast  
• Agricultural  
• Fire and Rescue

### PARTS DRAWING – MODEL LC16-10-11 – ISO 120; SERIES CR – ISO 156

Model Number	Cable Capacity of Reel feet m			Approx. Weight lb. kg		Reel Dimensions in. mm							
	O.D. in. mm	Ga./No. of Conductors				NET	SHIP	A	B	C	D	E	F
		.53 14	12/3 15	.60 15									
<b>LC16-10-11</b>	<b>125</b>	<b>100</b>		<b>14</b>	<b>17*</b>	<b>11.25</b>	<b>7.5</b>	<b>4</b>	<b>11.62</b>	<b>10.75</b>	<b>13.75</b>	<b>14.75</b>	<b>6.88</b>
	38	30		6	8	286	190	102	295	273	349	375	175
<b>CR16-14-16</b>	<b>200</b>	<b>150</b>		<b>24</b>	<b>58*</b>	<b>9.25</b>	<b>7.5</b>	<b>6</b>	<b>15.5</b>	<b>14</b>	<b>14.5</b>	<b>18.5</b>	<b>8.88</b>
	61	46		11	26	235	190	152	394	356	368	470	226
<b>CR16-17-18</b>	<b>300</b>	<b>250</b>		<b>28</b>	<b>58*</b>	<b>9.25</b>	<b>7.5</b>	<b>6</b>	<b>15.5</b>	<b>16.5</b>	<b>14.5</b>	<b>18.5</b>	<b>8.88</b>
	91	76		13	26	235	190	152	394	419	368	470	226

#### Notes:

1. Specifications subject to change.
  2. **Be sure to check dimensions and weights prior to ordering.**
- \*Dimensional weight applies when shipped as a parcel package (via FedEx or UPS Ground).



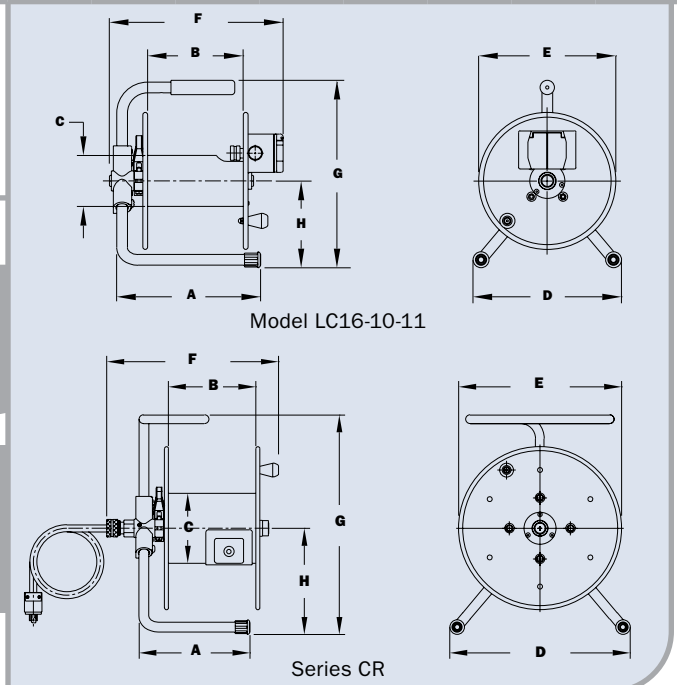
**LC16-10-11 includes one durable rubber twist tie for cable ends.**

Part No. 9949.0082



#### Series CR

Optional 15-amp, 3-prong straight blade receptacle recessed in drum.  
Part No. 9955.0090.



# Model **C16-10-11/C20-14-16**

• Broadcast Cable • Extension Cord • Rope • Forestry Fire Hose

**No live connections.**

**Model C16-10-11**

- Small, lightweight, durable.
- Adjustable cam-lock drag brake.
- Optional storage drum extension.
- One durable rubber twist tie for cable ends. "DE" models equipped with two ties.

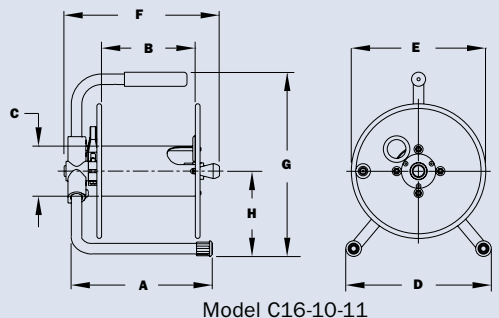
**Model C20-14-16**

- Strong, portable.
- Adjustable cam-lock drag brake.
- Permanent crank rewind.
- Optional pin lock available.
- Optional storage drum extension.
- One durable rubber twist tie for cable ends. "DE" models equipped with two ties.

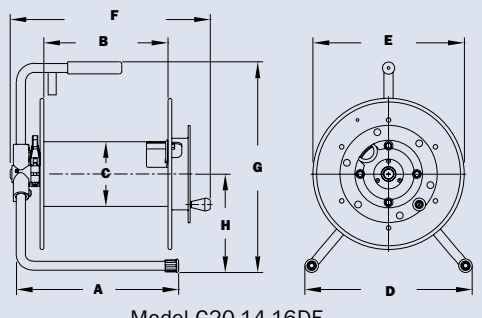


**PARTS DRAWING – MODEL C16-10-11 – ISO 88; MODEL C20-14-16 – ISO 121**

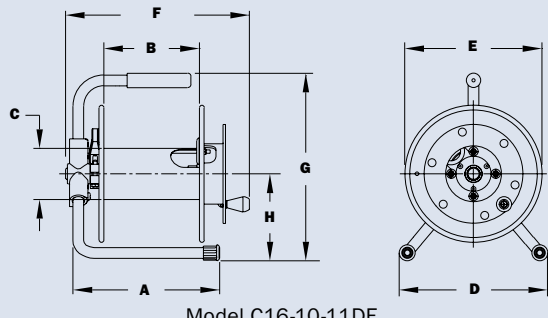
Model Number	Cable Capacity of Reel feet m			Approx. Weight lb. kg		Reel Dimensions in. mm							
	Ga./No. of Conductors		NET			SHIP	A	B	C	D	E	F	G
	O.D. in. mm	.53 14		.60 15									
<b>C16-10-11</b>	<b>125</b>	<b>100</b>	<b>10</b>	<b>20*</b>	<b>11.5</b>	<b>7.5</b>	<b>4</b>	<b>11.88</b>	<b>10.75</b>	<b>12.25</b>	<b>14.75</b>	<b>6.88</b>	
	38	30	5	8	292	191	102	302	273	311	375	175	
<b>C20-14-16</b>	<b>350</b>	<b>250</b>	<b>18</b>	<b>58*</b>	<b>15</b>	<b>12</b>	<b>6</b>	<b>15.5</b>	<b>14</b>	<b>16.75</b>	<b>19</b>	<b>8.62</b>	
	107	76	8	26	381	305	152	394	356	425	483	219	
<b>C16-10-11-DE</b>	<b>130</b>	<b>105</b>	<b>10</b>	<b>20*</b>	<b>11.5</b>	<b>7.5</b>	<b>4</b>	<b>11.88</b>	<b>10.75</b>	<b>14.25</b>	<b>14.75</b>	<b>6.88</b>	
	40	32	5	8	292	191	102	302	273	362	375	175	
<b>C20-14-16-DE</b>	<b>355</b>	<b>255</b>	<b>18</b>	<b>58*</b>	<b>15</b>	<b>12</b>	<b>6</b>	<b>15.5</b>	<b>14</b>	<b>18.75</b>	<b>19</b>	<b>8.62</b>	
	108	78	8	26	381	305	152	394	356	476	483	219	



Model C16-10-11



Model C20-14-16DE



Model C16-10-11DE

**Notes:**

1. Specifications subject to change.
  2. These storage reels have no live connections.
  3. **Be sure to check dimensions and weights prior to ordering.**
- \*Dimensional weight applies when shipped as a parcel package (via FedEx or UPS Ground).



**LC16-10-11 includes one durable rubber twist tie for cable ends.**  
Part No. 9949.0082

# Model **AT1300/4300**

• **Industrial Maintenance** • **Broadcast** • **Construction** • **Agriculture** • **Grounds Maintenance**

## Model AT1300

- Removable direct crank rewind reel.
- Adjustable cam-lock drag brake.
- 3-conductor, 45-amp collector ring is standard.
- 6 foot power source lead of 10/3 cable.
- 15-amp, 3-prong straight blade (optional twist lock is available).
- Additional conductors available; consult factory.
- Direct offset rewind crank.



**Model AT1300**

## Aluminum Hand Truck

### Model 4300-AL

Part No. 9906.0795

#### For portability of hose and cable reels.

- Large pneumatic tires.
- Reel permanently attached.
- Overall dimensions will vary according to the reel model used.
- Hand truck, axle, and wheels shipped separately for customer installation. Specify if reel axis is perpendicular or parallel to truck axle.



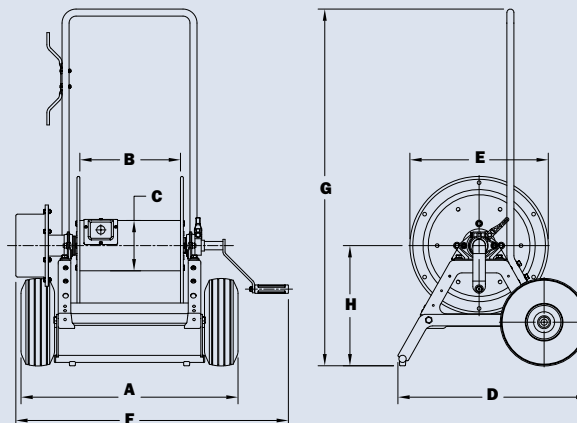
**Assembled 4300-AL truck with reel attached**

## PARTS DRAWING – ISO 189

Model Number	Cable Capacity of Reel feet m				Approx. Weight lb. kg		Reel Dimensions in. mm							
	Ga./No. of Conductors						NET	SHIP	A	B	C	D	E	F
	O.D. in. mm	14/3	12/3	10/3										
<b>AT1300</b>	.53	.60	.69		<b>70</b>	<b>102</b>	<b>25.88</b>	<b>12</b>	<b>6</b>	<b>22.62</b>	<b>16.5</b>	<b>32.5</b>	<b>42.5</b>	<b>14.38</b>
	14	15	18		32	46	657	305	152	575	419	825	1080	365

**Notes:**

1. Specifications subject to change.
2. Hand truck is also sold separately.  
Maximum reel size dimensions when installed on hand truck:  
A=32" (812.8 mm), B=27" (685.8 mm), E=32" (812.8 mm).
3. **Be sure to check dimensions and weights prior to ordering.**



Model AT1300

# Model **C1150/ATC1250**

• Industrial Maintenance • Construction • Agriculture • Grounds Maintenance

**No live connections.**

**Model C1150**

- 7/8" x 1-3/4" (22 mm x 44 mm) opening.
- Adjustable cam-lock drag brake.

**Model ATC1250**

- Pneumatic tires.
- 4" x 5-1/2" (102 mm x 140 mm) opening.
- Adjustable cam-lock drag brake.



**Optional Folding Handle**

For compact storage



**Model 1100**  
Standard configuration shown



**Model ATC1250**  
Standard configuration shown

**PARTS DRAWING – MODEL C1150 – ISO 48; MODEL ATC1250 – ISO 87**

Model Number	Cable Capacity of Reel feet m				Approx. Weight lb. kg		Reel Dimensions in. mm							
	O.D. in. mm	Ga./No. of Conductors					NET	SHIP	A	B	C	D	E	F
		14/3	12/3	10/3										
<b>C1150</b>	14	.53	.60	.69	44	100*	21.25	12	6	20.12	16.5	24.62	42.5	14.38
	15	152	122	91	20	45	540	305	152	511	419	625	1080	365
<b>ATC1250</b>	18	950	750	550	84	147*	25.88	11.5	8	22.62	22.75	27	42.5	18.12
	14	290	229	168	38	67	657	292	203	575	578	686	1080	460

**Notes:**

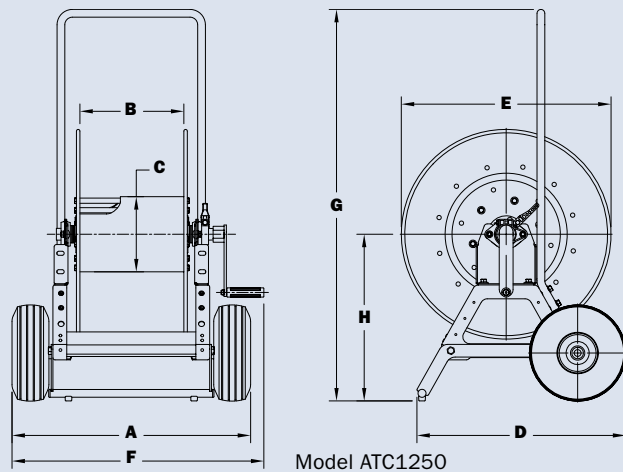
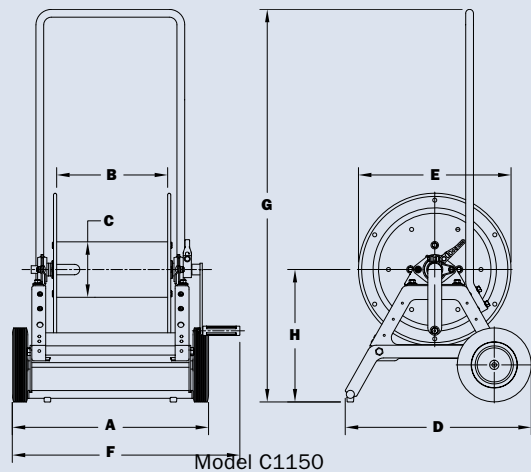
Specifications subject to change.

1. When ordering C1150 and ATC1250, specify model number, O.D., length and weight of cable, hose, etc.

2. These storage reels have no live connections.

3. **Be sure to check dimensions and weights prior to ordering.**

\*Dimensional weight applies when shipped as a parcel package (via FedEx or UPS Ground) – some assembly required.



# Custom Engineering

Custom spools and reels for cable handling and storage can be built in an almost limitless range of sizes and with a wide variety of special features, such as divider discs, slotted discs, casters, etc. All rewind mechanisms described in this catalog can be specified for custom-built reels. To meet special requirements, motors used to power chain and sprocket rewind mechanisms can be mounted off the reel or within the reel frame.

Spools include the discs, tie-rods and spacers, and the drum. Since discs are inventoried in a range of standard diameters, and drum lengths can be adjusted, spools can be supplied to accommodate a wide range of cable sizes and lengths.

**Orders and quotations:**

See Cable Reel Spec Worksheet on page 19 to supply proper information for orders or quotations.

**Requests for quotations for custom reels and spools should include:**

- Complete specifications on cable size, length, and weight.
- O.D. and bending radius of cable.
- Number of conductors, voltage, and amperage.
- Type of rewind mechanism, including available power for electric, hydraulic or air rewind motors.
- Complete description of how reel is to be installed and used.
- Specification of any accessories.



## Cable Conversions

### Power/Control Cable

Wire Size (AWG)/ Conductors	Area (Per Conductor)	
	Circular Mils	Square mm
16/3	2,600	1.3
14/3	4,100	2.1
12/3	6,500	3.3
10/3	10,500	5.3
8/3	16,800	8.5

## Cable Chart

Type S00W – 600 Volt						
Number of Conductors	AWG Size	Nominal O.D.		Current AMPS	Weight	
		in.	mm		lbs	kg
2	18	0.345	8.74	10	75	34.0
3	18	0.365	9.27	10	87	39.5
4	18	0.390	9.91	7	102	46.2
2	16	0.370	9.40	13	78	35.4
3	16	0.390	9.91	13	105	47.6
4	16	0.415	10.54	10	120	54.4
2	14	0.500	12.70	18	151	68.5
3	14	0.530	13.46	18	176	79.8
4	14	0.570	14.48	15	210	95.2
2	12	0.575	14.61	25	201	91.2
3	12	0.600	15.24	25	235	106.6
4	12	0.650	16.51	20	291	132.0
2	10	0.625	15.88	30	245	111.1
3	10	0.660	16.76	30	307	139.2
4	10	0.710	18.03	25	360	163.3
2	8	0.675	17.15	40	300	136.0
3	8	0.725	18.42	40	383	173.7
4	8	0.780	19.81	35	511	231.8
5	8	0.875	22.23	28	633	287.1

# Static Grounding Reels

- Aircraft Refueling • Chemical Plants • Grain Elevators
- Rescue and HazMat Operations

## WARNING

These reels are for static grounding ONLY.  
NOT intended for lightning protection!

### For refueling or hazardous areas.

- These reels bond and/or ground aircraft, fuel trucks, and other equipment.
- Provide smooth operation and require minimum cable pull.
- Declutching arbor and adjustable guide arm with cable guide.
- Optional stainless steel construction of spool, frame, and ratchet system available on HGR Series.
- Standard finish is oven-cured enamel.
- Also available, manual rewind version.



**Model HGR50**  
(Shown with optional "Y" branch)



**Model SSHGR50**  
(Optional unpolished stainless steel HGR50)



**Model MHGR50**



**Model HGR100**



**Model MHGR100**



**Model GR75**

**Model MGR75**

All reels shown with optional PCC cable and clamp.



# Series GR/HGR

- Aircraft Refueling • Chemical Plants
- Grain Elevators • Rescue and HazMat Operations

- Available with 1/8", 7 x 19 galvanized carbon steel cable.
- 100-amp Alligator clamp.
- Stainless steel or plastic-covered cable and "Y" branches are available at an additional charge.
- Cable guide arm of cast aluminum and ZA-12 aluminum zinc alloy.

**Series GR75**

- Sealed spring is a good economical choice that's compact and lightweight.

**Series HGR**

- A non-sparking ratchet assembly.
- Reels are repairable and parts are readily available.
- Supplied with 18" long grounding strap with eyelet connectors on both ends.

**Parts Drawings: HGR Series – ISO 10 and MHGR Series – ISO 234**

Model Number	Cable Capacity of Reel feet m	Approx. Weight lb. kg		Reel Dimensions*** in. mm									
		Without Cable	With Cable	A	B	C	D	E	F	G	H	X	Y
<b>GR75</b>	<b>75</b>	<b>11</b>	<b>14*</b>	<b>2</b>	<b>2</b>	<b>7</b>	<b>9</b>	<b>9.25</b>	<b>3.5</b>	<b>9.88</b>	<b>5.06</b>	<b>1</b>	<b>7.88</b>
	23	5	6	51	51	178	229	235	89	251	129	25	200
† <b>MGR75</b>	<b>75†</b>	<b>11</b>	<b>13*</b>	<b>2</b>	<b>2</b>	<b>7</b>	<b>9</b>	<b>9.25</b>	<b>5.25</b>	<b>9.88</b>	<b>5.06</b>	<b>1</b>	<b>7.88</b>
	23†	5	6	51	51	178	229	235	133	251	129	25	200
<b>HGR50</b>	<b>75</b>	<b>28</b>	<b>30*</b>	<b>4</b>	<b>1.25</b>	<b>10.75</b>	<b>11.5</b>	<b>14.25</b>	<b>5.5</b>	<b>16.75</b>	<b>8.88</b>	<b>2.38</b>	<b>7.5</b>
	23	13	14	102	32	273	292	362	159	425	226	60	191
† <b>MHGR50</b>	<b>125†</b>	<b>19</b>	<b>23*</b>	<b>4</b>	<b>1.25</b>	<b>10.75</b>	<b>11.5</b>	<b>14.25</b>	<b>6.25</b>	<b>16.75</b>	<b>8.88</b>	<b>2.38</b>	<b>7.5</b>
	38†	9	10	102	32	273	292	362	159	425	226	60	191
<b>HGR100</b>	<b>100</b>	<b>37</b>	<b>41*</b>	<b>4</b>	<b>1.25</b>	<b>13.25</b>	<b>11.5</b>	<b>16.75</b>	<b>5.5</b>	<b>17.75</b>	<b>8.88</b>	<b>2.38</b>	<b>7.5</b>
	30	17	19	102	32	337	292	425	140	451	226	60	191
† <b>MHGR100</b>	<b>175†</b>	<b>25</b>	<b>31*</b>	<b>4</b>	<b>1.25</b>	<b>13.25</b>	<b>11.5</b>	<b>16.75</b>	<b>6.25</b>	<b>17.75</b>	<b>8.88</b>	<b>2.38</b>	<b>7.5</b>
	53†	11	14	102	32	337	292	425	159	451	226	60	191

**Optional GTP Gator® Clamp**  
(GTP-9654)  
Part No. 9951.0032



**Optional Browne Clamp**  
(ALS-10)  
Part No. 9951.0031

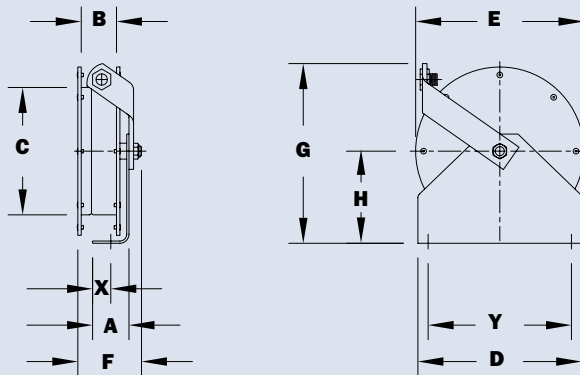


**Optional Grounding Jack**  
per MIL-C-8341D/4  
Part No. 9951.0033

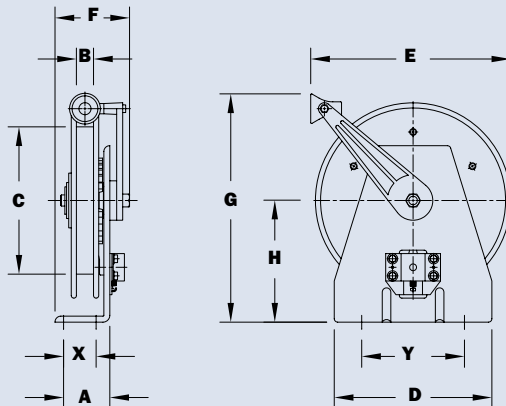


**Notes:**

1. Specifications subject to change.
  2. When ordering, specify model number, gauge, O.D., length, and coating if required.
  3. Specify "Y" branch if required.
  4. **Finish:** Refer to page 2.
- \*Reels can be shipped as a parcel package (via FedEx or UPS Ground).  
\*\*\* X, Y indicate mounting holes. See page 2.  
† Capacities shown are for PCC (plastic coated cable). Capacities may be higher for uncoated cable; consult factory.



Model GR75/MGR75 – GR75 shown



Model HGR50/HGR100/MHGR50 – HGR shown

# Utility Grounding Reels

- Construction Vehicles • Utility Vehicles
- Maintenance Vehicles • Rescue and HazMat Operations

## Truck grounding reels.

- Easy cable pay-out.
- Quick and convenient rewind gets you back in service fast.
- Heavy-duty steel construction stands up to demanding field use.
- Direct access to lube rotary ground device.
- Serviceable pawl and pin assembly.
- Easily greaseable Zerk fitting.
- Independently tested to 43 kA for 30 cycles.<sup>1</sup>
- Bolt-down design.
- Manual or automatic spring rewind available.
- Helps meet OSHA requirements for vehicle grounding.<sup>2</sup>
- Supplied with or without optional cable and clamp.

<sup>1</sup> Although Hannay SGCR and GCR Series grounding reels are rated to 43 kA for 30 cycles (the maximum fault current rating for 4/0 cable), the size and spring pull force of the reel effectively limits use of these reels to 2/0 cable and smaller. 2/0 cable has a maximum fault current rating of 27 kA. Please refer to ASTM 855-90 (Standard Specification for Temporary Grounding Systems) for more information.

<sup>2</sup> OSHA Subpart V, Section 1926.952, requires grounding of vehicles working near energized lines or equipment. Hannay grounding reels help meet this requirement and encourage crew compliance by providing a simple, efficient method of handling heavy grounding cable.

### Model SGCR 10-17-19

#### Spring Rewind Grounding Reel

- Fast, convenient automatic spring rewind.
- A ratchet mechanism locks the reel.
- Built-in cable hoop.
- Internal rotary device.



**Model SGCR 10-17-19**

Spring rewind  
Standard configuration shown

### Model GCR 10-17-19

#### Manual Rewind Grounding Reel

- Offers manual rewind with a hand crank permanently attached to the disc.
- Internal rotary device.



**Model GCR 10-17-19**

Manual rewind  
Standard configuration shown

### Model GC 10-17-19

#### Manual Storage Reel (Not Shown)

- Storage only.
- Manual rewind with a hand crank permanently attached to the disc.

## PARTS DRAWING – MODEL SGCR 10-17-19 – ISO 95

Model Number	Cable Capacity of Reel feet m				Approx. Weight lb. kg	
	Ga./No. of Conductors					
	O.D. in. mm	#2 13	1/0 16	2/0 17	NET (less cable)	SHIP (less cable)
SGCR 10-17-19	75	75	65	43	52	
	23	23	20	20	24	
GCR 10-17-19	150	90	90	30	36	
	46	27	27	14	16	
GC 10-17-19	150	90	90	28	34	
	46	27	27	13	15	

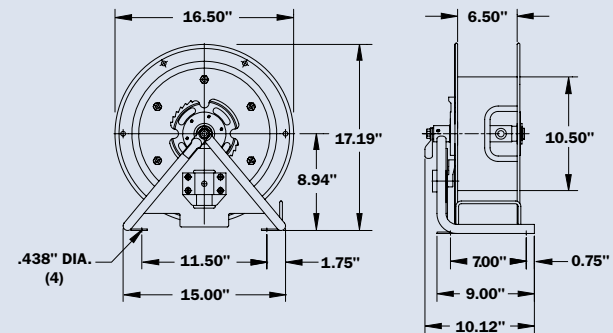
**Notes:**

1. Specifications subject to change.
2. When ordering, specify model number, cable gauge, O.D., length, and coating if required.
3. Specify finish if other than standard.  
Reels can be shipped as a parcel package (via FedEx or UPS Ground).

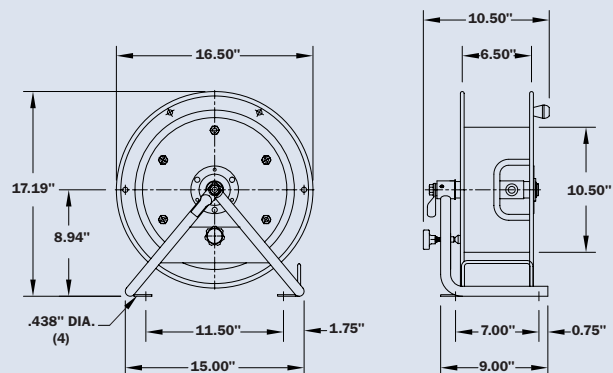
**Note:** If shipping reel with cable, add 16 lbs. for packaging, plus weight of cable.

**Cable Weights:**

- #2 gauge = .28 lb/ft
- 1/0 gauge = .43 lb/ft
- 2/0 gauge = .52 lb/ft



Model SGCR 10-17-19



Model GCR 10-17-19

# Hannay Reels **Sales Policies**

## **Hannay Reels 3-Year Limited Warranty**

Products manufactured by Hannay Reels, Inc. (“Hannay”) are warranted for 3 years from date of shipment when properly installed, maintained, and operated in accordance with Hannay instructions. In no event will Hannay have a warranty obligation for normal wear and tear, or for products that have, at Hannay’s determination, been subjected to accident, abuse, misapplication, improper installation or improper maintenance. Common examples of normal wear and tear would include paint finish, swivel joint seal wear, and switch or motor brush wear.

Hannay makes no warranties, express or implied, other than those included in this warranty statement, and we disclaim any implied warrant of merchantability or fitness for any particular purpose. Hannay will not be liable for any consequential, incidental, or indirect damages from any cause whatsoever.

Failure to use a flexible inlet connection on any live hose reel will void the swivel joint warranty. Failure to use a properly sized circuit breaker with any electric rewind motor will void the electric motor warranty. Failure to use a filter and lubricator on any air rewind motor will void the air motor warranty. Failure to follow all procedures outlined in the Safety Guidelines document will void the warranty.

Components not manufactured by Hannay will be subject to the original manufacturers’ warranties. Examples of such components include: hose and cable, motors, speed controls, and switches, swivel joints and seals, slip ring and brush assemblies.

Equipment which proves to be defective upon our inspection will be replaced free of charge, including freight to the customer. Our responsibility ceases upon delivery to any common carrier and we do not, unless previously instructed, insure shipments beyond point of delivery to such carrier. **No material will be accepted for return without a return goods authorization (RGA).** This warranty extends to the replacement or repair of the reel or part (no labor).

Hannay reserves the right to modify or alter materials, dimensions, design, and construction when necessary to improve the performance of the reel and/or accessories, or to meet delivery requirements.

## **Notice on Reel Finish**

Standard finish on Hannay reels is a high performance enamel paint. Standard color is metallic graphite. Other colors available, please consult factory.

Most of the major components on standard reels are e-coated prior to receiving final topcoat paint finish. This combination of e-coat and enamel topcoat will meet the finish requirements of most customer applications and environments.

In cases where requirements cannot be met with the standard finish, Hannay Reels can coat any model reel with an automotive primer, allowing application of final coating at your facility.

Alternatively, Hannay Reels can provide a quote for matching a customer-provided paint specification. For further information, please contact your Hannay Reels sales engineer and a special paint request form will be sent to you.

For environments where no paint finish is suitable, we offer both aluminum and stainless steel (304 grade) construction on most reel models.

## **Return Goods Policy**

All Hannay reels are built to order. These orders are typically placed into production within 1 business day of receipt. Once production begins, it may not be possible to cancel the order.

To prevent returns because the wrong reels or parts were ordered, please use the Hannay Reels Spec Worksheet (either online or from our Ordering & Accessory Guide) when specifying reels. Be sure to include any size, weight, pressure and/or material compatibility limitations for the application.

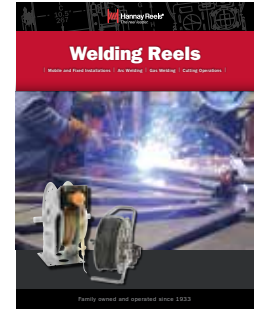
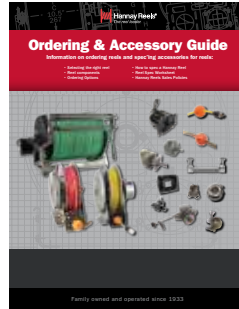
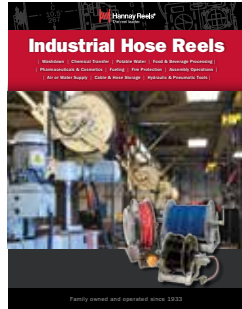
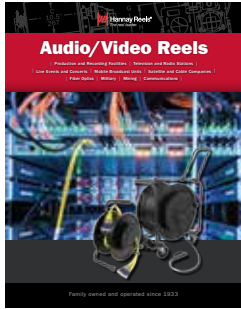
**In the event that an item does need to be returned for credit, repair or replacement, prior approval must be obtained from Hannay Reels.** Upon your request, we will send a Return Goods

Authorization (RGA) form. A signed copy of this form must accompany the material when returned to us, with the RGA number clearly showing on the outside of the box—a label is provided to you that you can print and attach. No product will be accepted for return or credit without an authorized RGA number.

All material must be returned prepaid, unless otherwise noted on our RGA. No return will be accepted that has been damaged due to improper return packaging, tampered with or altered from its original condition. Our restocking and handling fee is a minimum of 25% for standard catalog reels and parts. Custom reels specially built to customer specifications cannot be returned for any reason.

# Find reels for every need.

Learn more about all of our reels, including specs, drawings, and even how to select the right reels and accessories for your industry.



## Audio/Video Reels

- Audio/Video cable storage
- Fiber optic cable storage
- Portable reels on wheels or handheld
- Stackable reels
- Removable spool portable reels

## Industrial Hose Reels

- High pressure/low pressure reels
- Air/Lube/Grease reels
- Fueling
- Washdown/Power Wash
- Industrial Fire Protection
- Hydraulic/Pneumatic applications
- Hose storage

## Ordering & Accessory Guide

- Selecting the right reel
- Reel components
- Available accessories
- How to spec and order reels and accessories
- Ordering options
- Hannay Reels policies

## Spray and Pressure Washing Hose Reels

- Washdown/Power Wash
- Pest Control/Fertilizers
- Air/Water/Grease
- Steam Cleaning
- Spray operations
- Portable hose reels

## Welding Reels

- Mobile and fixed installations
- Arc welding
- Gas welding
- Cutting operations

View all our reel catalogs online at [hannay.com](http://hannay.com)



Family owned and operated since 1933, Hannay Reels is the world leader in both OEM and aftermarket applications. Hannay offers thousands of standard hose reel and cable reel models, as well as unmatched custom capabilities. We can easily and affordably customize a reel to meet your exact specifications – built to last, delivered fast. Additional catalogs are available through your local Hannay Reels dealer or online at [hannay.com](http://hannay.com).



553 State Route 143 | Westerlo, New York 12193  
 Email: [reels@hannay.com](mailto:reels@hannay.com) | [hannay.com](http://hannay.com)



All Hannay reels are constructed of quality heavy gauge steel (optional aluminum or stainless steel also available on most models).

