

10.5"  
267



**Hannay Reels®**  
The reel leader.

# Static Grounding Reels

## WARNING

These reels are for static grounding ONLY.  
NOT intended for lightning protection!

### For refueling or hazardous areas.

- These reels bond and/or ground aircraft, fuel trucks, and other equipment.
- Provide smooth operation and require minimum cable pull.
- Declutching arbor and adjustable guide arm with cable guide.
- Optional stainless steel construction of spool, frame, and ratchet system available on HGR Series.
- Standard finish is oven-cured enamel.
- Also available, manual rewind version.



**Model HGR50**  
(Shown with optional "Y" branch)



**Model SSHGR50**  
(Optional unpolished stainless steel HGR50)



**Model MHGR50**



**Model HGR100**



**Model MHGR100**



**Model GR75**



**Model MGR75**

All reels shown with optional pcc cable and clamp.

Family owned and operated since 1933

# Quality. Value. Service. Built by Hannay.

- Available with 1/8", 7 x 19 galvanized carbon steel cable.
- 100 amp Alligator clamp.
- Stainless steel or plastic-covered cable and "Y" branches are available at an additional charge.
- Cable guide arm of cast aluminum and ZA-12 aluminum zinc alloy.

## Series GR75

- Sealed spring is a good economical choice that's compact and lightweight.

## Series HGR

- A non-sparking ratchet assembly.
- Reels are repairable and parts are readily available.
- Supplied with 18" long grounding strap with eyelet connectors on both ends.

## Parts Drawings: HGR Series – ISO 10 and MHGR Series – ISO 234

Model Number	Cable Capacity of Reel shown in feet/meter	Approx. Weight shown in lb/kg		Reel Dimensions*** shown in inches/millimeter									
		Without Cable	With Cable	A	B	C	D	E	F	G	H	X	Y
GR75	75	11	14*	2	2	7	9	9.25	3.5	9.88	5.06	1	7.88
	23	5	6	51	51	178	229	235	89	251	129	25	200
† MGR75	75†	11	13*	2	2	7	9	9.25	5.25	9.88	5.06	1	7.88
	23†	5	6	51	51	178	229	235	133	251	129	25	200
HGR50	75	28	30*	4	1.25	10.75	11.5	14.25	5.5	16.75	8.88	2.38	7.5
	23	13	14	102	32	273	292	362	159	425	226	60	191
† MHGR50	125†	19	23*	4	1.25	10.75	11.5	14.25	6.25	16.75	8.88	2.38	7.5
	38†	9	10	102	32	273	292	362	159	425	226	60	191
HGR100	100	37	41*	4	1.25	13.25	11.5	16.75	5.5	17.75	8.88	2.38	7.5
	30	17	19	102	32	337	292	425	140	451	226	60	191
† MHGR100	175†	25	31*	4	1.25	13.25	11.5	16.75	6.25	17.75	8.88	2.38	7.5
	53†	11	14	102	32	337	292	425	159	451	226	60	191

### Optional GTP Gator® Clamp

(GTP-9654)

Part No. 9951.0032



### Optional Browne Clamp

(ALS-10)

Part No. 9951.0031



### Optional Grounding Jack

per MIL-C-8341D/4

Part No. 9951.0033



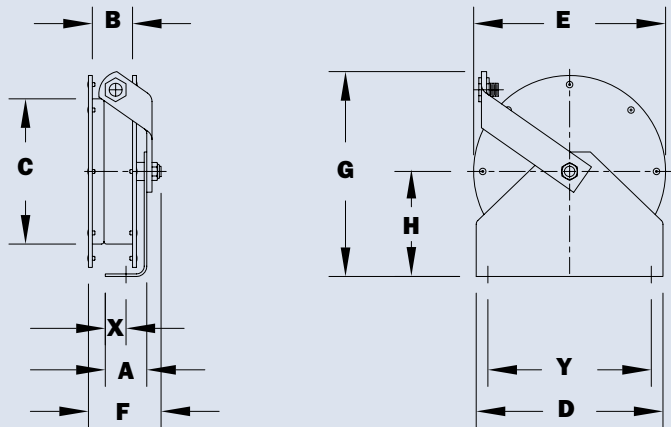
### Notes:

1. Specifications subject to change.
2. When ordering, specify model number, gauge, O.D., length, and coating if required.
3. Specify "Y" branch if required.
4. **Finish:** Refer to page 2.

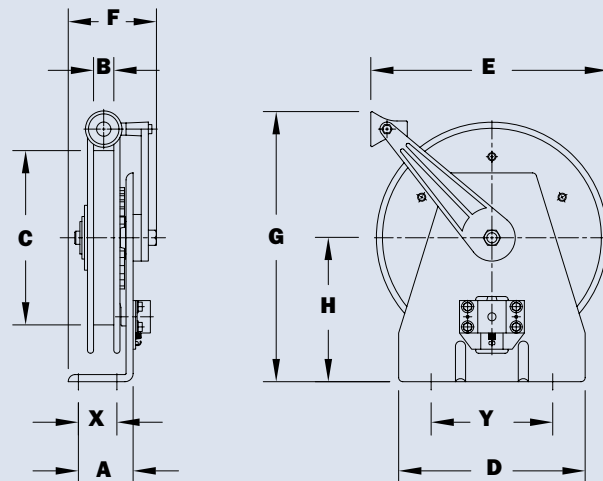
\*Reels can be shipped as a parcel package (via FedEx or UPS Ground).

\*\*\* X, Y indicate mounting holes. See page 2.

† Capacities shown are for PCC (plastic coated cable). Capacities may be higher for uncoated cable; consult factory.



Model GR75/MGR75 – GR75 shown



Model HGR50/HGR100/MHGR50 – HGR shown



All Hannay reels are constructed of quality heavy gauge steel (optional aluminum or stainless steel also available on most models).

Email: [reels@hannay.com](mailto:reels@hannay.com)  
hannay.com

Toll Free: 877-467-3357  
Phone: 518-797-3791

FAX: 518-797-3259



Form H-0606-SG REV 5-25 MADE IN USA