

C  
10.5"  
267



**Hannay Reels®**  
The reel leader.

# Spray and Pressure Washing Hose Reels

Pressure Washing	Steam Cleaning	Spray Operations	Washdown	Maintenance
Auto Washing	Processing Plants	Grounds Maintenance	Pest Control	Tree Spraying
Vehicle Maintenance	Lawn Care Service	Agriculture		



Family owned and operated since 1933

# CONTENTS

Hannay hose reels come in all sizes and capacities.

Reel Type	Page
<b>Hannay Reels Sales Policies</b>	3
<b>Manual Pressure Washing Hose Reels</b>	
Series PW-2 and Optional Mounting Kits	4
<b>Spring Rewind Reels</b>	
Series N700	5
<b>Compact Manual Rewind Reels</b>	
Series 1000/MS-1000	6
<b>Portable Reels on Wheels</b>	
Series 1100/AT1200	7
<b>Manual or Power Rewind Reels</b>	
Series 1500	8
Series 1800	9
Series 2000 (Dual Hose)	10
Series 4000	11
Series 6000	12-13
<b>Remote Controlled Power Rewind Reels</b>	
Series RM	14
<b>Non-Corrosive Manual or Power Rewind Reels</b>	
Series SNC	15



**Only one reel can handle the pressure.**

From fertilizing lawns to steam cleaning sidewalks to washing down equipment, you need durable, long-lasting equipment to get the job done. Use our reels to keep hoses organized and out of the way to prevent accidents, and to ensure quicker deployment and pick-up, so you can move to the next job site faster.

We offer thousands of standard reels – or can create custom designs – that are built strong to last long, require minimal maintenance, and provide a lifetime of value. Every reel we make is designed and built of the highest quality materials specifically for your industry and to your exact specs – never retrofitted to the job – so you can expect unsurpassed fit and function.

**Uses:**

- Pressure washing
- Steam cleaning
- Spray operations
- Washdown
- Grounds maintenance
- Auto washing
- Pest control
- Tree spraying



Mounting Hole Sizes	
<b>N Series Reels</b>	7/16" wide x 7/8" long slot running front to back
<b>Pressed Frame Reels and Channel Framed Reels</b>	7/16" wide x 7/8" long slot running left to right
<b>Series 1000</b>	7/16" wide x 1-7/16" long slot
<b>Series 1500, 1800, 2000, 4000</b>	13/32" round holes



# Hannay Reels **Sales Policies**

## Hannay Reels 3-Year Limited Warranty

Products manufactured by Hannay Reels, Inc. (“Hannay”) are warranted for 3 years from date of shipment when properly installed, maintained, and operated in accordance with Hannay instructions. In no event will Hannay have a warranty obligation for normal wear and tear, or for products that have, at Hannay’s determination, been subjected to accident, abuse, misapplication, improper installation or improper maintenance. Common examples of normal wear and tear would include paint finish, swivel joint seal wear, and switch or motor brush wear.

Hannay makes no warranties, express or implied, other than those included in this warranty statement, and we disclaim any implied warrant of merchantability or fitness for any particular purpose. Hannay will not be liable for any consequential, incidental, or indirect damages from any cause whatsoever.

Failure to use a flexible inlet connection on any live hose reel will void the swivel joint warranty. Failure to use a properly sized circuit breaker with any electric rewind motor will void the electric motor warranty. Failure to use a filter and lubricator on any air rewind motor will void the air motor warranty. Failure to follow all procedures outlined in the Safety Guidelines document will void the warranty.

Components not manufactured by Hannay will be subject to the original manufacturers’ warranties. Examples of such components include: hose and cable, motors, speed controls, and switches, swivel joints and seals, slip ring and brush assemblies.

Equipment which proves to be defective upon our inspection will be replaced free of charge, including freight to the customer. Our responsibility ceases upon delivery to any common carrier and we do not, unless previously instructed, insure shipments beyond point of delivery to such carrier. **No material will be accepted for return without a return goods authorization (RGA).** This warranty extends to the replacement or repair of the reel or part (no labor).

Hannay reserves the right to modify or alter materials, dimensions, design, and construction when necessary to improve the performance of the reel and/or accessories, or to meet delivery requirements.

## Notice on Reel Finish

Standard finish on Hannay reels is a high performance enamel paint. Standard color is metallic graphite. Other colors available, please consult factory.

Most of the major components on standard reels are e-coated prior to receiving final topcoat paint finish. This combination of e-coat and enamel topcoat will meet the finish requirements of most customer applications and environments.

In cases where requirements cannot be met with the standard finish, Hannay Reels can coat any model reel with an automotive primer, allowing application of final coating at your facility.

Alternatively, Hannay Reels can provide a quote for matching a customer-provided paint specification. For further information, please contact your Hannay Reels sales engineer and a special paint request form will be sent to you.

For environments where no paint finish is suitable, we offer both aluminum and stainless steel (304 grade) construction on most reel models.

## Return Goods Policy

All Hannay reels are built to order. These orders are typically placed into production within 1 business day of receipt. Once production begins, it may not be possible to cancel the order.

To prevent returns because the wrong reels or parts were ordered, please use the Hannay Reels Spec Worksheet (either online or from our Ordering & Accessory Guide) when specifying reels. Be sure to include any size, weight, pressure and/or material compatibility limitations for the application.

**In the event that an item does need to be returned for credit, repair or replacement, prior approval must be obtained from Hannay Reels.** Upon your request, we will send a Return Goods

Authorization (RGA) form. A signed copy of this form must accompany the material when returned to us, with the RGA number clearly showing on the outside of the box—a label is provided to you that you can print and attach. No product will be accepted for return or credit without an authorized RGA number.

All material must be returned prepaid, unless otherwise noted on our RGA. No return will be accepted that has been damaged due to improper return packaging, tampered with or altered from its original condition. Our restocking and handling fee is a minimum of 25% for standard catalog reels and parts. Custom reels specially built to customer specifications cannot be returned for any reason.

# Series **PW-2**

- **Pressure Washing • Steam Cleaning • Spray Operations • Washdown**
- **Optional Mounting Kits**

**To handle single 3/8" or 1/2" I.D. hose.**

- Permanent direct crank rewind, with adjustable split bearing brake assembly.
- Standard inlet: full flow swivel joint with 1/2" NPT fitting.
- Standard outlet: 1/2" female NPT fitting, supplied with 1/2" MNPT to 3/8" FNPT reducing bushing. Other sizes and/or threads available, must specify.
- Pressures up to 5000 psi (345 bar). Flow rate of over 12 gpm @ 15 fps.
- Standard fluid temperatures from +32° F to +400 °F (0° C to +204° C). Optional temperature ratings available - consult factory.
- Captive (4-sided) hose guide roller assembly.
- Black powder coated finish.
- Optional stainless steel construction and internals – consult factory.



Optional PWK-200 mounting kit shown

**Optional Mounting Kits**

Wall, floor, pivoting and non-pivoting options are available. Combination kits also available depending on installation. Must specify mounting position when ordering mounting kits (kits include hardware). Universal mounting pattern (2.75" x 5").

**PWK-200** – Rigid (non-pivoting) wall mounting. Floor mounting available, consult factory.

**PWK-300** – Mounting to 1" round tubing. Other tubing (round or square) sizes available, consult factory.

**PWK-400** – Wall mounting - ability to pivot the reel. Includes pivoting platform, knob, and mounting hardware. (Mounting hole pattern: 2.75" x 2.75").



Optional PWK-400 kit – wall installation shown

Optional PWK-400/300 combo kit – vertical tube installation shown

**PARTS DRAWING – ISO 193**

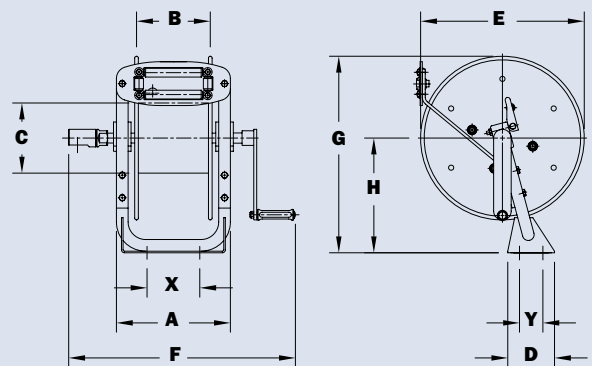
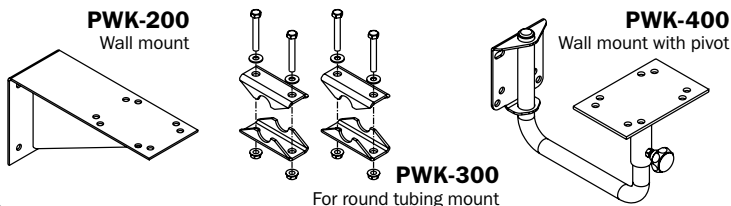
Model Number	Hose Capacity of Reel feet m			Approx. Weight Crank Rewind lb. kg			Reel Dimensions*** in. mm									
	I.D. in. mm	3/8 10	1/2 13	NET	UPS/ FedEx SHIP Wt.	Freight SHIP Wt.	A	B	C	D	E	F	G	H	X	Y
	O.D. in. mm	3/4 19	7/8 22				9	6	6	4	16.75	17	18.25	10	5	2.75
<b>PW-2</b>		<b>125</b> 38	<b>75</b> 23	<b>26</b> 12	<b>58*</b> 26	<b>32</b> 15	229	152	152	102	425	432	464	254	127	70

**Notes:**

1. Specifications subject to change.
2. **Finish:** Refer to page 3.
3. **Be sure to check dimensions and weights prior to ordering.**

**NOTICE:** A flexible connector must be used between the inlet pipe and the inlet swivel joint.  
\* When shipped as a parcel package (via FedEx or UPS Ground).  
\*\*\* X, Y indicate mounting holes. See page 2.

**MOUNTING KITS**



# Series N700

- Lubrication • Air/Water • Washdown
- Air Tools • General Industrial Applications

**To handle 1/4" through 1/2" I.D. hose.**

- Narrow frame and compact mounting base.
- Non-sparking ratchet assembly.
- Decutching arbor to prevent damage from reverse winding.
- Standard inlet: 90° balanced pressure swivel joint, 1/2" female NPT threads.
- Standard outlet: 1/2" female NPT threads.
- Standard pressures to 3000 psi (207 bar), available up to 10,000 psi (690 bar) – must specify.
- Standard fluid temperatures from -40° F to +250 °F (-40° C to +121° C). Optional temperature ratings available - consult factory.
- 4-way roller assembly. SR and VR roller positions: swivel joint is standard on the right. TR roller positions: swivel joint is standard on the left. Other configurations available, must specify.
- Constant tension is available – consult factory.



Standard SR configuration shown



**Optional Swivel Mounting Bracket**

Part No. 9908.9990. For N-Series spring retractable reels, available as a kit. Conditions apply, consult factory.

**PARTS DRAWING – ISO 79**

Model Number	Hose Capacity of Reel feet m				Approx. Weight lb. kg			Standard Roller Assy.	Reel Dimensions*** in. mm							
	I.D. in. mm	1/4 6	3/8 10	1/2 13	NET	UPS/ FedEx SHIP Wt.	Freight SHIP Wt.		A	B	C	E	F	G	H	X
	O.D. in. mm	5/8 16	3/4 19	7/8 22												
<b>N716-14-16-8C</b>	-	<b>25</b>	<b>25</b>	<b>52</b>	<b>64*</b>	<b>87</b>	<b>N204</b>	<b>10</b>	<b>4</b>	<b>8</b>	<b>18.12</b>	<b>11.63</b>	<b>16.12</b>	<b>9.12</b>	<b>8</b>	
	-	8	8	24	29	39		254	102	203	460	295	409	232	203	
<b>N716-16-17-10.5C</b>	-	<b>35</b>	<b>35</b>	<b>55</b>	<b>69*</b>	<b>90</b>	<b>N204</b>	<b>10</b>	<b>4</b>	<b>10.5</b>	<b>19</b>	<b>11.63</b>	<b>17</b>	<b>9.12</b>	<b>8</b>	
	-	11	11	25	31	41		254	102	267	483	295	432	232	203	
<b>†N716-17-18-8L</b>	-	<b>50†</b>	<b>50†</b>	<b>55</b>	<b>68*</b>	<b>90</b>	<b>N204</b>	<b>10</b>	<b>4</b>	<b>8</b>	<b>19.5</b>	<b>11.63</b>	<b>17.38</b>	<b>9.12</b>	<b>8</b>	
	-	15†	15†	25	31	41		254	102	203	495	295	441	232	203	
<b>N716-19-20-10.5J</b>	-	<b>50</b>	<b>50</b>	<b>64</b>	<b>82*</b>	<b>99</b>	<b>N204</b>	<b>10</b>	<b>4</b>	<b>10.5</b>	<b>20.75</b>	<b>11.63</b>	<b>20</b>	<b>10.62</b>	<b>8</b>	
	-	15	15	29	37	45		254	102	267	527	295	508	270	203	
<b>N716-23-24-15.5J</b>	-	<b>65</b>	<b>65</b>	<b>79</b>	<b>94*</b>	<b>114</b>	<b>N204</b>	<b>10</b>	<b>4</b>	<b>15.5</b>	<b>24</b>	<b>11.63</b>	<b>24</b>	<b>12.62</b>	<b>8</b>	
	-	20	20	36	43	52		254	102	394	610	295	610	321	203	
<b>N716-23-24-15.5G</b>	<b>100</b>	<b>75</b>	<b>65</b>	<b>94</b>	<b>101</b>	<b>129</b>	<b>N204</b>	<b>10</b>	<b>4</b>	<b>15.5</b>	<b>24</b>	<b>11.63</b>	<b>24</b>	<b>12.62</b>	<b>8</b>	
	30	23	20	43	46	59		254	102	394	610	295	610	321	203	
<b>N716-25-26-15.5B</b>	-	<b>75</b>	<b>75</b>	<b>90</b>	-	<b>125</b>	<b>N204</b>	<b>10</b>	<b>4</b>	<b>15.5</b>	<b>25.5</b>	<b>11.63</b>	<b>26</b>	<b>13.62</b>	<b>8</b>	
	-	23	23	41	-	57		254	102	394	648	295	660	346	203	
<b>N718-25-26-15.5G</b>	-	<b>100</b>	<b>100</b>	<b>96</b>	-	<b>131</b>	<b>N206</b>	<b>12</b>	<b>6</b>	<b>15.5</b>	<b>25.5</b>	<b>13.63</b>	<b>26</b>	<b>13.62</b>	<b>10</b>	
	-	30	30	44	-	59		305	152	394	648	346	660	346	254	
<b>††N718-25-26-15.5 SD</b>	-	<b>100</b>	<b>100</b>	<b>104</b>	-	<b>139</b>	<b>N206</b>	<b>12</b>	<b>6</b>	<b>15.5</b>	<b>25.5</b>	<b>14.38</b>	<b>26</b>	<b>13.62</b>	<b>10</b>	
	-	30	30	47	-	63		305	152	394	648	365	660	345	254	

**Notes:**

**A hose stop is necessary to keep spring from unwinding.**

1. Specifications subject to change.
2. Reel models and capacities shown are for standard drag applications; for heavy-duty or vertical lift applications, consult factory.
3. Other sizes, from standard components, available on request.
4. **Finish:** Refer to page 3.
5. **Be sure to check dimensions and weights prior to ordering.**

**NOTICE:** A flexible connector must be used between the inlet pipe and the inlet swivel joint.

\*Dimensional weight may apply when shipped as a parcel package (via FedEx or UPS Ground).

\*\*\*X, Y indicate mounting holes. See page 5.

†Capacity based on low pressure air hose only.

Not for vertical lift applications.

††SD spring to be used for heavy-duty or vertical lift applications, consult factory.

**Available Roller Positions**



SR (STD)



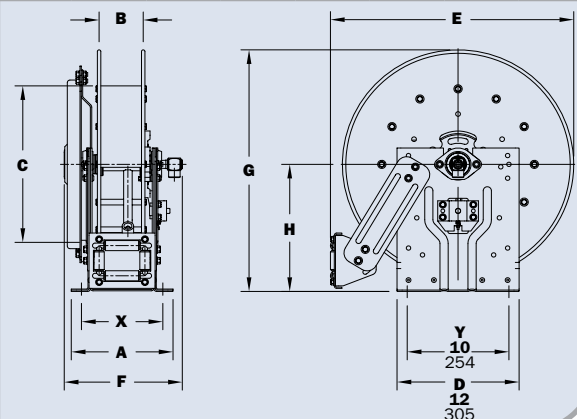
VR (OPT)



TR (OPT)



TR (Wallmount)

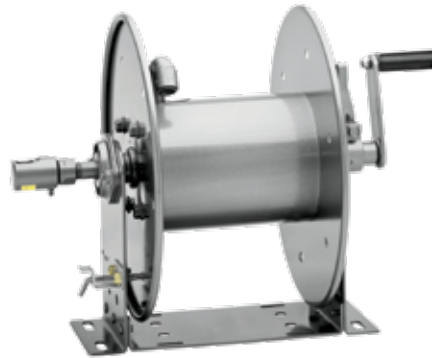


# Series 1000

- Pressure Washing • Washdown
- Spray Operations • Air

**To handle single 1/4", 3/8" or 1/2" I.D. hose.**

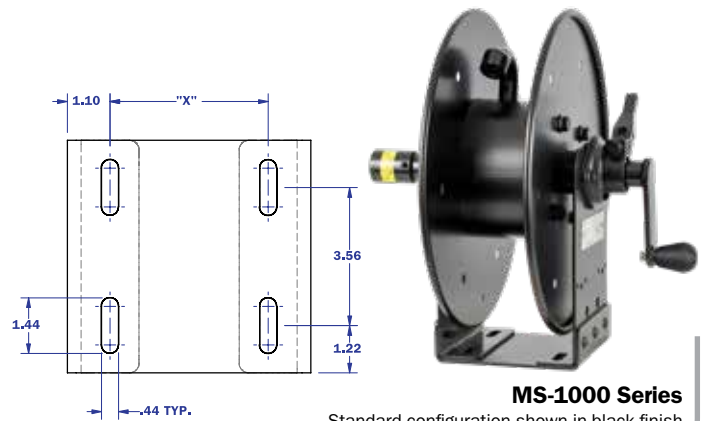
- Lightweight, compact with an e-coated frame.
- Direct crank rewind permanently attached.
- Adjustable cam-lock brake standard.
- Exterior mounting holes for easier installation.
- Redesigned (and field installable) pin lock.
- Standard inlet: 90° ball bearing swivel joint, 1/2" female NPT threads.
- Standard outlet: 3/8" female NPT threads, 1/2" available upon request.
- Standard pressures to 3000 psi (207 bar), available up to 5,000 psi (345 bar) – must specify.
- Standard fluid temperatures from +32° F to +400 °F (0° C to +204° C). Optional temperature ratings available - consult factory.



**1000 Series**  
Standard configuration shown in graphite finish with optional pin lock

**MS-1000 Series**

- Base mounting holes are inside frame for smaller footprint - see diagram to the right for specific dimensions.
- Shorter knob handle standard on MS-1000 for space saving.



**MS-1000 Series**  
Standard configuration shown in black finish

**PARTS DRAWING – 1000/MS-1000-ISO 165**

Model Number	Hose Capacity of Reel feet m				Approx. Weight Crank Rewind lb. kg			Reel Dimensions*** in. mm			
	I.D. in. mm	1/4 6	3/8 10	1/2 13	NET	UPS/ FedEx SHIP Wt.	Freight SHIP Wt.	A	B	F	X
	O.D. in. mm	5/8 16	3/4 19	7/8 22							
1014-14-16	100	75	40	23	42*	58	11.5	6	18.75	10	
	31	23	12	10	19	26	292	152	476	254	
1016-14-16	150	100	70	24	42*	59	13.5	8	20.75	12	
	46	31	21	11	19	27	343	203	527	305	
1020-14-16	250	175	100	25	42*	60	17.5	12	24.75	16	
	76	53	30	11	19	27	445	305	629	406	
MS-1012-14-16	-	50	-	22	42*	57	6.5	4	14.50	4.06	
	-	15	-	10	19	26	165	101	368	103	
MS-1014-14-16	-	75	-	23	42*	58	8.5	6	16.50	6.06	
	-	23	-	11	19	27	216	152	419	154	

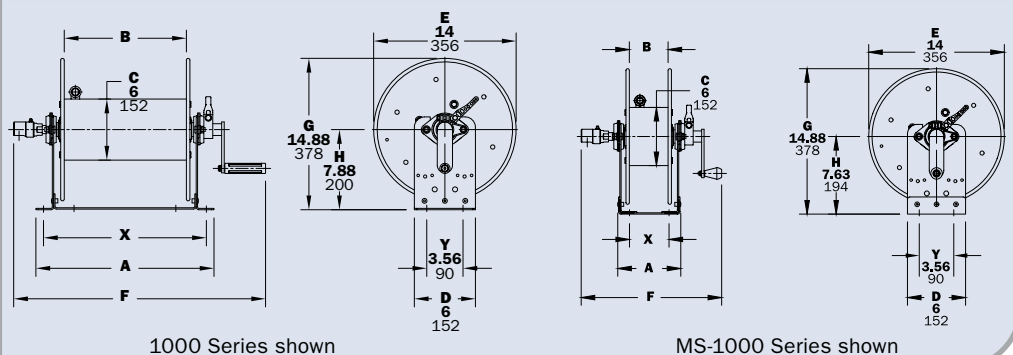
**Notes:**

1. Specifications subject to change.
2. Other sizes, from standard components, available on request.
3. **Finish:** Refer to page 3.
4. **Be sure to check dimensions and weights prior to ordering.**

**NOTICE:** A flexible connector must be used between the inlet pipe and the inlet swivel joint.

\* Dimensional weight may apply when shipped as a parcel package (via FedEx or UPS Ground).

\*\*\* X, Y indicate mounting holes. See page 2.



1000 Series shown

MS-1000 Series shown

# Series **1100/AT1200**

- Grounds Maintenance • Restaurants/Hotels
- Washdown Operations • Home Use

**To handle 3/8" through 1" I.D. hose.**

- Continuous flow reels with swivel joint inlet, fluid hub, outlet riser.
- Direct crank rewind and cam-lock drag brake.
- One-piece foot and removable steel handlebar.
- **GH** prefix to model number (e.g., GH1100, GHAT1200) includes garden hose thread on outlet, 5' lead-in hose, hose end clips.

**Model 1100**

- Standard inlet: 90° ball bearing swivel joint, 1/2" female NPT threads.
- Standard outlet: 1/2" female NPT threads.
- Pressures to 3000 psi (207 bar).
- Standard fluid temperatures from +32° F to +400 °F (0° C to +204° C). Optional temperature ratings available - consult factory.
- Rubber tires standard. Oversized pneumatic tires available specify "AT" in model number when ordering.

**Model AT1200**

- Standard inlet: 90° balance pressure swivel joint, 1" female NPT threads.
- Standard outlet: 1" female NPT threads.
- Standard pressures to 2000 psi (138 bar), available up to 4000 psi (276 bar) – must specify.
- Standard fluid temperatures from -40° F to +250 °F (-40° C to +121° C). Optional temperature ratings available - consult factory.
- Pneumatic tires standard.



**GH1100**

Standard configuration shown with optional green powder coat finish



**GHAT1200**

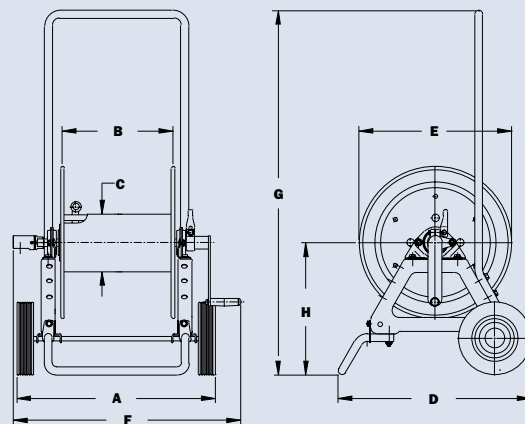
Standard configuration shown

**PARTS DRAWING – 1100 ISO 48; AT1200 ISO 87**

Model Number	Hose Capacity of Reel feet m						Approx. Weight lb. kg		Reel Dimensions in. mm							
	I.D. in. mm	3/8 10	1/2 13	5/8 16	3/4 19	1 25	NET	SHIP	A	B	C	D	E	F	G	H
	O.D. in. mm	3/4 19	7/8 22	1 25	1-9/32 33	1-9/16 40										
<b>1100</b>		<b>275</b>	<b>175</b>	<b>125</b>	-	-	<b>47</b>	<b>100*</b>	<b>21.25</b>	<b>12</b>	<b>6</b>	<b>20.12</b>	<b>16.5</b>	<b>25.25</b>	<b>42.5</b>	<b>14.38</b>
		84	53	38	-	-	21	46	540	305	152	511	419	641	1080	365
<b>AT1200</b>		-	<b>350</b>	<b>250</b>	<b>150</b>	<b>100</b>	<b>86</b>	<b>147*</b>	<b>25.88</b>	<b>11.5</b>	<b>8</b>	<b>22.62</b>	<b>22.75</b>	<b>27</b>	<b>42.5</b>	<b>18.12</b>
		-	107	76	46	30	39	67	657	292	203	575	578	686	1080	460

**Notes:**

1. Specifications subject to change.
  2. Some assembly required.
  3. **Finish:** Refer to page 3.
  4. **Be sure to check dimensions and weights prior to ordering.**
- \* Dimensional weight applies when shipped as a parcel package (via FedEx or UPS Ground).



GH1100 shown



# Series 1500

- Lawn Care • Pest Control • Pressure Washing
- Agriculture • Steam Cleaning

**To handle single 3/8" through 5/8" I.D. hose.**

- Lightweight, compact reels designed for long lengths of hose.
- Manual rewind reels include: cam-lock drag brake, spring actuated pin lock and direct crank rewind.
- Power rewind reels include: chain and sprocket drive powered by electric, hydraulic or air motor.
- Standard inlet: 90° ball bearing swivel joint, 1/2" female NPT threads.
- Standard outlet: 1/2" female NPT threads.
- Standard pressures to 3000 psi (207 bar), available up to 10,000 psi (690 bar) – must specify.
- Standard fluid temperatures from +32° F to +400 °F (0° C to +204° C). Optional temperature ratings available - consult factory.
- Rollers and roller mounting brackets are accessory items. Must specify roller position when ordering.
- Optional stainless steel construction and internals – consult factory.
- **Heavy-Duty Upgrade Options:** 3/16" thick discs, 8" diameter steel 14 gage drum, and optional pressures of 5000 or 10,000 psi, must specify when ordering.
- **Optional HGK-15 Hose Guide Kit:** Includes Hose Guide, handle grip, 2 stainless steel guide rods, 4 mounting blocks, steel mounting bracket set, and all mounting hardware. Must specify when ordering (P/N 9956.2200).



◀ Standard configuration shown with Electric Rewind (E) option and optional HGK-15 hose guide kit



Standard configuration shown ▶ with Crank Rewind



**Optional External Mounting Brackets**

Part No. 9906.0027.  
Add 2-1/2" to the X dimensions shown in the chart.

**PARTS DRAWING – ISO 90 (POWER); ISO 179 (MANUAL)**

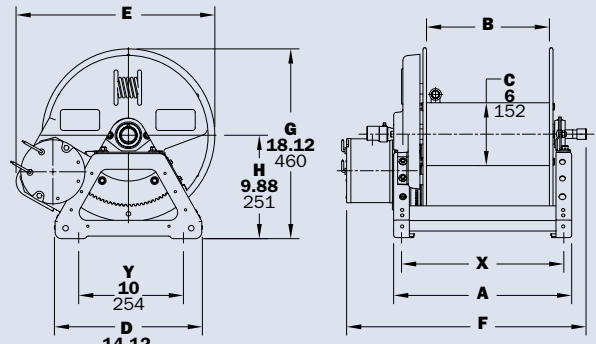
Model Number For power rewind see Note 5	Hose Capacity of Reel feet m				Approx. Weight Crank Rewind lb. kg (see Note 3)			Reel Dimensions*** in. mm						
	I.D. in. mm	3/8 10	1/2 13	5/8 16	NET	UPS/ FedEx SHIP Wt.	Freight SHIP Wt.	A	B	E CRANK	E POWER	F CRANK	F POWER	X
	O.D. in. mm	3/4 19	7/8 22	1 25										
<b>1514-17-18</b>	<b>125</b>	<b>75</b>	<b>50</b>	<b>27</b>	<b>65*</b>	<b>62</b>	<b>11</b>	<b>6</b>	<b>17.5</b>	<b>19</b>	<b>19.25</b>	<b>17</b>	<b>9.5</b>	
	38	23	15	12	30	28	279	152	445	483	489	432	241	
<b>1520-17-18</b>	<b>275</b>	<b>175</b>	<b>125</b>	<b>29</b>	<b>80*</b>	<b>64</b>	<b>17</b>	<b>12</b>	<b>17.5</b>	<b>19</b>	<b>25.25</b>	<b>23</b>	<b>15.5</b>	
	84	53	38	13	36	29	432	305	445	483	641	584	394	
<b>1526-17-18</b>	<b>400</b>	<b>300</b>	<b>200</b>	<b>31</b>	<b>98*</b>	<b>66</b>	<b>23</b>	<b>18</b>	<b>17.5</b>	<b>19</b>	<b>31.25</b>	<b>29</b>	<b>21.5</b>	
	122	91	61	14	45	30	584	457	445	483	794	737	546	
<b>1530-17-18</b>	<b>500</b>	<b>375</b>	<b>275</b>	<b>33</b>	<b>110*</b>	<b>68</b>	<b>27</b>	<b>22</b>	<b>17.5</b>	<b>19</b>	<b>35.25</b>	<b>33</b>	<b>25.5</b>	
	152	114	84	15	50	31	686	559	445	483	895	838	648	
<b>1536-17-18</b>	<b>-</b>	<b>475</b>	<b>350</b>	<b>35</b>	<b>-</b>	<b>70</b>	<b>33</b>	<b>28</b>	<b>17.5</b>	<b>19</b>	<b>41.25</b>	<b>39</b>	<b>31.5</b>	
	-	145	107	16	-	32	838	711	445	483	1048	991	800	

**Notes:**

- Specifications subject to change.
- Upon request, reels can be supplied with drum lengths other than shown.
- Weights shown in chart are for crank rewind models. ADD these amounts for power rewind models (does not apply to FedEx or UPS):
 

	Net lbs/kg	Ship lbs/kg
<b>Electric</b>	<b>18/8.2</b>	<b>18/8.2</b>
<b>Hydraulic</b>	<b>15/6.8</b>	<b>15/6.8</b>
<b>Air</b>	<b>15/6.8</b>	<b>15/6.8</b>
- Dimension "F" is the overall length of standard model reels.
- When ordering power rewind models, prefix model number with:
  - A** = Air Rewind – Supplied with control valve and 18" air hose.

- E** = Electric Rewind – 12v and 24v DC rewind reels are supplied with switch and solenoid; 115v AC rewind reels are not supplied with switch but can be ordered separately.
- HD** = Hydraulic Rewind – Not supplied with control valve.
- Manual rewind available in RT or LB configurations only.
- Finish:** Refer to page 3.
- Be sure to check dimensions and weights prior to ordering.**
- Some roller options may prohibit the use of our molded chain guard.
- NOTICE:** A flexible connector must be used between the inlet pipe and the inlet swivel joint.
- \* Dimensional weight applies when shipped as a parcel package (via FedEx or UPS Ground).
- \*\*\* X, Y indicate mounting holes. See page 2.



Power rewind shown



# Series 1800

• Air Compressors • Washdown • Lawn Care

**To handle single 5/8" or 3/4" I.D. hose.**

- Lightweight, compact reels designed for long lengths of hose in manual and power rewind.
- Manual rewind reels include: cam-lock drag brake, spring actuated pin lock and direct crank rewind.
- Power rewind reels include: chain and sprocket drive powered by electric, hydraulic or air motor.
- Standard inlet: 90° ball bearing swivel joint, 1" female NPT threads.
- Standard outlet: 3/4" female NPT threads.
- Standard pressures to 2000 psi (138 bar), available up to 4000 psi (276 bar) – must specify.
- Standard fluid temperatures from -40° F to +250 °F (-40° C to +121° C). Optional temperature ratings available - consult factory.
- Optional stainless steel construction and internals – consult factory.
- Rollers and roller mounting brackets are accessory items. Specify roller position.
- **Optional HGK-15 Hose Guide Kit:** Includes Hose Guide, handle grip, 2 stainless steel guide rods, 4 mounting blocks, steel mounting bracket set, and all mounting hardware. Must specify when ordering (P/N 9956.2200).



◀ Standard configuration shown with Electric Rewind (E) option



Standard configuration shown ▶ with Crank Rewind



**Optional External Mounting Brackets**

Part No. 9906.0027.  
Add 2-1/2" to the X dimensions shown in the chart.

**PARTS DRAWING – ISO 136 (POWER); ISO 180 (MANUAL)**

Model Number For power rewind see Note 5	Hose Capacity of Reel feet m			Approx. Weight Crank Rewind lb. kg see Note 3			Reel Dimensions*** in. mm						
	I.D. in. mm	5/8 16	3/4 19	NET	UPS/ FedEx SHIP Wt.	Freight SHIP Wt.	A	B	E CRANK	E POWER	F CRANK	F POWER	X
	O.D. in. mm	1 25	1-9/32 40										
<b>1816-17-18</b>		<b>75</b> 23	<b>50</b> 15	<b>28</b> 13	<b>80*</b> 36	<b>63</b> 29	<b>13</b> 330	<b>8</b> 203	<b>17.5</b> 445	<b>19</b> 483	<b>23.5</b> 597	<b>19.75</b> 502	<b>11.5</b> 292
<b>1822-17-18</b>		<b>150</b> 46	<b>100</b> 30	<b>30</b> 14	<b>98*</b> 45	<b>65</b> 29	<b>19</b> 483	<b>14</b> 356	<b>17.5</b> 445	<b>19</b> 483	<b>29.5</b> 749	<b>25.75</b> 654	<b>17.5</b> 445
<b>1826-17-18</b>		<b>200</b> 61	<b>125</b> 38	<b>32</b> 15	<b>98*</b> 45	<b>67</b> 30	<b>23</b> 584	<b>18</b> 457	<b>17.5</b> 445	<b>19</b> 483	<b>33.5</b> 851	<b>29.75</b> 756	<b>21.5</b> 546
<b>1830-17-18</b>		<b>250</b> 76	<b>150</b> 46	<b>33</b> 15	<b>110*</b> 50	<b>68</b> 31	<b>27</b> 686	<b>22</b> 559	<b>17.5</b> 445	<b>19</b> 483	<b>37.5</b> 953	<b>33.75</b> 857	<b>25.5</b> 648
<b>1836-17-18</b>		<b>300</b> 91	<b>200</b> 61	<b>36</b> 16	-	<b>71</b> 32	<b>33</b> 838	<b>28</b> 711	<b>17.5</b> 445	<b>19</b> 483	<b>43.5</b> 1105	<b>39.75</b> 1010	<b>31.5</b> 800

**Notes:**

1. Specifications subject to change.
2. Upon request, reels can be supplied with drum lengths other than shown.
3. Weights shown in chart are for crank rewind models. ADD these amounts for power rewind models (does not apply to FedEx or UPS):
 

	Net lbs/kg	Ship lbs/kg
<b>Electric</b>	<b>18/8.2</b>	<b>18/8.2</b>
<b>Hydraulic</b>	<b>15/6.8</b>	<b>15/6.8</b>
<b>Air</b>	<b>15/6.8</b>	<b>15/6.8</b>

4. Dimension "F" is the overall length of standard model reels.

5. When ordering power rewind models, prefix model number with:

- A = Air Rewind – Supplied with control valve and 18" air hose.

E = Electric Rewind – 12v and 24v DC rewind reels are supplied with switch and solenoid; 115v AC rewind reels are not supplied with switch but can be ordered separately.

HD = Hydraulic Rewind – Not supplied with control valve.

6. Manual rewind available in RT or LB configurations only.

7. **Finish:** Refer to page 3.

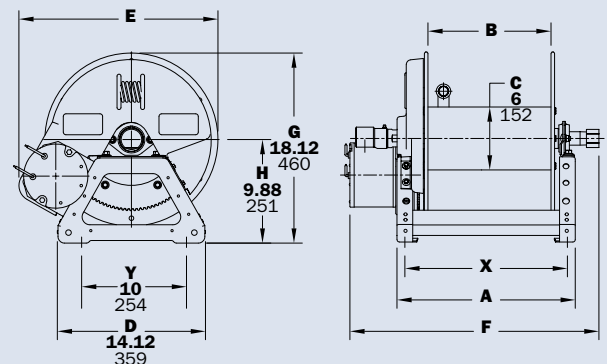
8. **Be sure to check dimensions and weights prior to ordering.**

9. Some roller options may prohibit the use of our molded chain guard.

**NOTICE:** A flexible connector must be used between the inlet pipe and the inlet swivel joint.

\* Dimensional weight applies when shipped as a parcel package (via FedEx or UPS Ground).

\*\*\* X, Y indicate mounting holes. See page 2.



Power rewind shown

# Series 2000 | Dual Hose

• **Dual Agent Spray (Lawn Care or Pest Control)**

**To handle dual 1/4" through 1/2" I.D. hose.**

- Two swivel joint inlets and two outlet risers to handle two equal lengths of hose.
- Chain-driven crank rewind or chain and sprocket rewind powered by an electric or compressed air motor.
- MX crank rewind reels have pinion brake as standard.
- Power rewind reels are not supplied with a brake.
- Standard inlets: 90° ball bearing swivel joints, 1/2" female NPT threads.
- Standard outlets: 1/2" female NPT threads.
- Standard pressures to 3000 psi (207 bar).
- Standard fluid temperatures from -40° F to +250 °F (-40° C to +121° C). Optional temperature ratings available - consult factory.
- Optional stainless steel construction and internals – consult factory.



Standard configuration shown with Electric Rewind (E) option



**Optional External Mounting Brackets**

Part No. 9906.0027.  
Add 2-1/2" to the X dimensions shown in the chart.

**PARTS DRAWING – ISO 112**

Model Number <small>For power rewind see Note 5</small>	Hose Capacity of Reel feet m				Approx. Weight Crank Rewind <sup>3</sup> lb. kg <small>see Note 3</small>			Reel Dimensions*** in. mm						
	I.D. in. mm	1/4 6	3/8 10	1/2 13	NET	UPS/ FedEx SHIP Wt.	Freight SHIP Wt.	A	B	E CRANK	E POWER	F CRANK	F POWER	X
	O.D. in. mm	5/8 16	3/4 19	7/8 22										
<b>2016-17-18</b>		<b>2/100</b>	<b>2/75</b>	<b>2/50</b>	<b>32</b>	<b>80*</b>	<b>67</b>	<b>13</b>	<b>8</b>	<b>19.06</b>	<b>19</b>	<b>21</b>	<b>20.88</b>	<b>11.5</b>
		2/31	2/23	2/15	15	36	30	330	203	484	483	533	530	292
<b>2020-17-18</b>		<b>2/175</b>	<b>2/125</b>	<b>2/75</b>	<b>34</b>	<b>98*</b>	<b>69</b>	<b>17</b>	<b>12</b>	<b>19.06</b>	<b>19</b>	<b>25</b>	<b>24.88</b>	<b>15.5</b>
		2/53	2/38	2/23	15	45	31	432	305	484	483	635	632	394
<b>2026-17-18</b>		<b>2/275</b>	<b>2/200</b>	<b>2/125</b>	<b>36</b>	<b>110*</b>	<b>71</b>	<b>23</b>	<b>18</b>	<b>19.06</b>	<b>19</b>	<b>31</b>	<b>30.88</b>	<b>21.5</b>
		2/84	2/61	2/38	16	50	32	584	457	484	483	787	784	546
<b>2030-17-18</b>		-	<b>2/250</b>	<b>2/175</b>	<b>37</b>	-	<b>72</b>	<b>27</b>	<b>22</b>	<b>19.06</b>	<b>19</b>	<b>35</b>	<b>34.88</b>	<b>25.5</b>
		-	2/76	2/53	17	-	33	686	559	484	483	889	886	648
<b>2036-17-18</b>		-	<b>2/300</b>	<b>2/225</b>	<b>39</b>	-	<b>74</b>	<b>33</b>	<b>28</b>	<b>19.06</b>	<b>19</b>	<b>41</b>	<b>40.88</b>	<b>31.5</b>
		-	2/91	2/69	18	-	34	838	711	484	483	1041	1038	800

**Notes:**

1. Specifications subject to change.
2. Upon request, reels can be supplied with drum lengths other than shown.
3. Weights shown in chart are for crank rewind models. ADD these amounts for power rewind models (does not apply to FedEx or UPS):

	Net lbs/kg	Ship lbs/kg
<b>Electric</b>	<b>18/8.2</b>	<b>18/8.2</b>
<b>Air</b>	<b>15/6.8</b>	<b>15/6.8</b>

4. Dimension "F" is the overall length of standard model reels. MX chain-drive crank models require 2" clearance to remove crank handle.
5. When ordering power rewind models, prefix model number with:

**A** = Air Rewind –  
Supplied with control valve and 18" air hose.

**E** = Electric Rewind –  
12v and 24v DC rewind reels are supplied with switch and solenoid; 115v AC rewind reels are not supplied with switch but can be ordered separately.

**MX** = Chain-Driven Crank.

6. **Finish:** Refer to page 3.

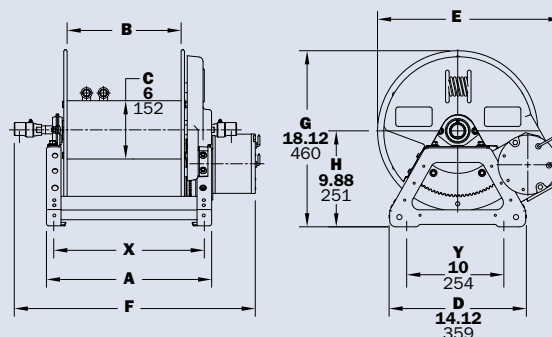
7. **Be sure to check dimensions and weights prior to ordering.**

8. Some roller options may prohibit the use of our molded chain guard.

**NOTICE:** A flexible connector must be used between the inlet pipe and the inlet swivel joint.

\* Dimensional weight applies when shipped as a parcel package (via FedEx or UPS Ground).

\*\*\* X, Y indicate mounting holes. See page 2.



Power rewind shown

# Series 4000

- Water Supply • Fire Protection
- Chemical Transfer

**To handle single 3/4" or 1" I.D. hose.**

- Lightweight, compact reels designed for long lengths of hose in manual and power rewind.
- Manual rewind reels include: cam-lock drag brake, spring actuated pin lock and removable direct crank rewind.
- Power rewind reels include: chain and sprocket drive powered by electric, hydraulic or air. Strap brake is standard.
- Standard inlet: 90° ball bearing swivel joint, 1" female NPT threads.
- Standard outlet: 1" female NPT threads.
- Standard pressures to 2000 psi (138 bar), available up to 4000 psi (276 bar) – must specify.
- Standard fluid temperatures from -40° F to +250 °F (-40° C to +121° C). Optional temperature ratings available - consult factory.
- Optional stainless steel construction and internals – consult factory.
- Rollers and roller mounting brackets are accessory items. Specify roller position.



Standard configuration shown with Electric Rewind (E) option



**Optional External Mounting Brackets**

Part No. 9906.0027.  
Add 2-1/2" to the X dimensions shown in the chart.

**PARTS DRAWING – ISO 68 (POWER); ISO 125 (MANUAL)**

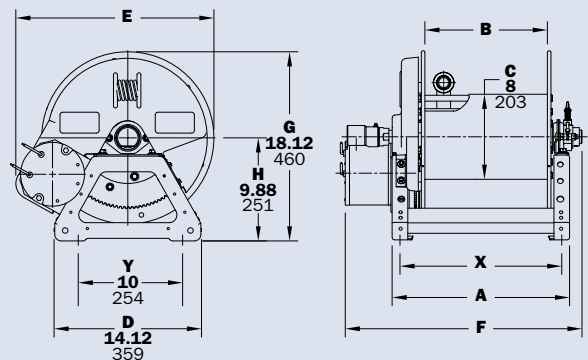
Model Number <small>For power rewind see Note 5</small>	Hose Capacity of Reel feet m			Approx. Weight Crank Rewind lb. kg <small>see Note 3</small>			Reel Dimensions*** in. mm						
	I.D. in. mm	3/4 19	1 25	NET	UPS / FedEx SHIP Wt.	Freight SHIP Wt.	A	B	E CRANK	E POWER	F CRANK	F POWER	X
	O.D. in. mm	1-9/32 33	1-9/16 40										
<b>4018-17-18</b>	50 15	35 11	36 16	80* 36	71 32	15 381	10 254	17.5 445	19 483	26.5 673	20.75 527	13.5 343	
<b>4024-17-18</b>	100 30	50 15	46 21	98* 45	81 37	21 533	16 406	17.5 445	19 483	32.5 826	26.75 679	19.5 495	
<b>4030-17-18</b>	150 46	75 23	57 26	110* 50	92 42	27 686	22 559	17.5 445	19 483	38.5 978	32.75 832	25.5 648	
<b>4038-17-18</b>	200 61	100 30	70 32	- -	124 56	35 889	30 762	17.5 445	19 483	46.5 1181	40.75 1035	33.5 851	

**Notes:**

- Specifications subject to change.
- Upon request, reels can be supplied with drum lengths other than shown.
- Weights shown in chart are for crank rewind models. ADD these amounts for power rewind models (does not apply to FedEx or UPS):
 

	Net lbs/kg	Ship lbs/kg
Electric	18/8.2	18/8.2
Hydraulic	15/6.8	15/6.8
Air	15/6.8	15/6.8
- Dimension "F" is the overall length of standard model reels. Crank rewind reels require 3-1/2" clearance to remove or install crank handle.
- When ordering power rewind models, prefix model number with:
  - A = Air Rewind – Supplied with control valve and 18" air hose.

- E = Electric Rewind – 12v and 24v DC rewind reels are supplied with switch and solenoid; 115v AC rewind reels are not supplied with switch but can be ordered separately.
  - HD = Hydraulic Rewind – Not supplied with control valve.
  - 6. Finish: Refer to page 3.
  - 7. Be sure to check dimensions and weights prior to ordering.
  - 8. Some roller options may prohibit the use of our molded chain guard.
- NOTICE:** A flexible connector must be used between the inlet pipe and the inlet swivel joint.  
\* Dimensional weight applies when shipped as a parcel package (via FedEx or UPS Ground).  
\*\*\* X, Y indicate mounting holes. See page 2. (Also applies for external mounting brackets.)



Power rewind shown



## Series 6000

- Washdown Operations • Tank Filling
- Water Blasting\* • Sewer Cleaning\*

### To handle single 1/2" through 1" I.D. hose.

- Heavy-duty reel for longer lengths of hose.
- Choose gear-driven crank rewind or chain and sprocket drive powered by an electric, hydraulic or compressed air motor.
- Crank rewind reels supplied with pinion brake; power rewind reels with a strap brake.
- Standard inlet: 90° ball bearing swivel joint, 1" female NPT threads.
- Standard outlet: 1" female NPT threads.
- Standard: inlet, outlet riser, and hub assembly are steel. Options: swivel joint also available in aluminum or stainless steel. Riser and hub assembly also available in stainless steel.
- Standard pressures to 2000 psi (138 bar), available up to 5000 psi (345 bar) – must specify.
- Standard fluid temperatures from -40° F to +250 °F (-40° C to +121° C). Optional temperature ratings available - consult factory.
- Rollers and roller mounting brackets are accessory items. Specify roller position.
- Consult factory for optional chain guard.

\* Heavy-duty construction required for water blasting and sewer cleaning applications. Consult factory.



Standard configuration shown with Electric Rewind (EP) option



### Optional Auxiliary Rewind

Ring and pinion shaft rewind unit with removable crank handle.



Optional Assembly C2 roller top wind and auxiliary rewind shown

# Series 6000

- Washdown Operations • Tank Filling
- Water Blasting • Sewer Cleaning

## PARTS DRAWING – ISO 84

Model Number For power rewind see Note 5	Hose Capacity of Reel feet m				Approx. Weight Crank Rewind lb. kg see Note 4		Reel Dimensions*** in. mm									
	I.D. in. mm	1/2 13	3/4 19	1 25	NET	SHIP	A	B	D	E	F CRANK	F POWER	G	H	X	Y
	O.D. in. mm	7/8 22	1-9/32 33	1-1/2 40												
6024-19-21	200	100	60	85	127	21	15.5	20.5	18.75	25.38	28.5	21.5	12.12	13	16.75	
	61	30	18	39	58	533	394	521	476	645	724	546	308	330	425	
6032-19-21	325	175	85	102	144	29.5	24	20.5	18.75	33.88	37	21.5	12.12	21.5	16.75	
	99	53	26	46	65	749	610	521	476	861	940	546	308	546	425	
6024-23-24	400	150	125	92	134	21	15.5	20.5	22.75	25.38	28.5	23.5	12.12	13	16.75	
	122	46	38	42	61	533	394	521	578	645	724	597	308	330	425	
6030-23-24	-	225	200	105	147	27.5	22	20.5	22.75	31.88	35	23.5	12.12	19.5	16.75	
	-	68	61	48	67	699	559	521	578	810	889	597	308	495	425	
6038-23-24	-	300	250	120	162	35	29.5	20.5	22.75	39.38	42.5	23.5	12.12	27	16.75	
	-	91	76	54	73	889	749	521	578	1000	1080	597	308	686	425	
6016-25-26	250	100	75	88	130	13	7.5	25.5	24.75	17.38	20.5	27.88	15.5	7.75	21.75	
	76	30	23	40	59	330	191	648	629	441	521	708	394	197	552	
6022-25-26	450	175	125	100	142	19	13.5	25.5	24.75	23.38	26.5	27.88	15.5	11	21.75	
	137	84	38	45	64	483	343	648	629	594	673	708	394	279	552	
6028-25-26	-	275	175	113	155	25.5	20	25.5	24.75	29.88	33	27.88	15.5	17.5	21.75	
	-	84	53	51	70	648	508	648	629	759	838	708	394	445	552	
6018-30-31	400	200	150	101	151	15	9.5	25.5	28.75	19.38	22.5	29.88	15.5	7	21.75	
	122	61	46	46	68	381	241	648	730	492	572	759	394	178	552	
6024-30-31	-	350	250	113	163	21	15.5	25.5	28.75	25.38	28.5	29.88	15.5	13	21.75	
	-	107	76	51	74	533	394	648	730	645	724	759	394	330	552	
6028-30-31	-	450	300	121	171	25.5	20	25.5	28.75	29.88	33	29.88	15.5	17.5	21.75	
	-	137	91	55	78	648	508	648	730	759	838	759	394	445	552	
† 6028-33-34	-	-	400	125	175	25	20	31.5	31.75	29.75	33.06	33.63	17.75	17.5	27.75	
	-	-	122	57	79	635	508	800	806	756	840	854	451	445	705	

**Notes:**

- Specifications subject to change.
- Upon request, reels can be supplied with drum lengths other than shown and with disc sizes in other diameters.
- Dimensions shown for reels up to and including 30-31 disc size reflect pressed frames. All others are rollformed channel frames.
- Weights shown in chart are for crank rewind models. ADD these amounts for power rewind models.

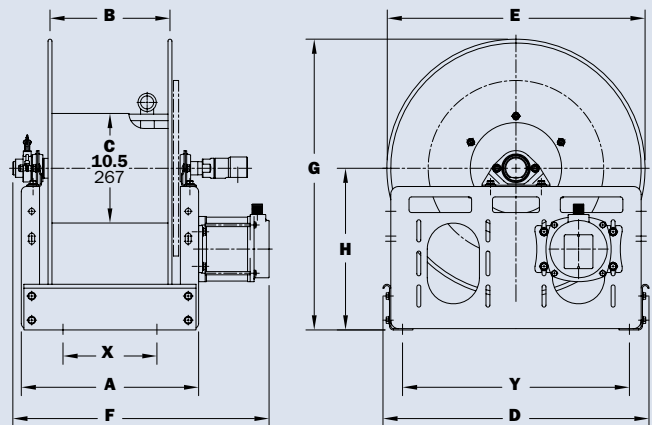
	Net lbs/kg	Ship lbs/kg
Electric	40/18.1	40/18.1
Hydraulic	20/9.1	20/9.1
Air	20/9.1	20/9.1

- When ordering power rewind models, prefix model number with:
  - A** = Air Rewind – Supplied with control valve and 18" air hose.
  - EP** = Electric Rewind (1/2 HP) – 12v and 24v DC rewind reels are supplied with switch and solenoid; 115v AC rewind reels are not supplied with switch but can be ordered separately.
  - HD** = Hydraulic Rewind – Not supplied with control valve.
- Finish:** Refer to page 3.
- Be sure to check dimensions and weights prior to ordering.**

**NOTICE:** A flexible connector must be used between the inlet pipe and the inlet swivel joint.

\*\*\* X, Y indicate mounting holes. See page 2.

† Some applications require a clutch/reduction unit.



Power rewind shown

## Series RM

### To handle single 3/8" through 1/2" I.D. hose.

- Heavy-duty 12v DC 1/3 HP electric reel.
- Standard ("RM") Models – Rewind only, hose is pulled out manually.
- Optional ("RM-REV") Models – Reversible motor. Features both Rewind and Unwind.
- Variable speed control allows user to choose comfortable rewind speed.
- Long-range (over 500 ft. range) pocket-sized remote, operating on 340 MHz band.
- Adjustable brake prevents hose creep during transit.
- Standard inlet: 90° ball bearing swivel joint, 1/2" female NPT threads.
- Standard outlet: 1/2" female NPT. Optional outlet: 3/8" female NPT or 3/4" male GHT (garden thread). Must specify outlet when ordering.
- Pressures to 3000 psi (207 bar).
- Standard fluid temperatures from +32° F to +400 °F (0° C to +204° C). Optional temperature ratings available - consult factory.
- Chain guard is standard.
- No electromechanical components that can break (relays, solenoids, circuit breakers). Simple direct wiring directly to motor and battery.
- Overcurrent and under-voltage protection are all built into the electronics.
- Remote transmitter is uniquely paired with base receiver to prevent interference.



**RME 6014-28-29-8**

Shown with 300 ft. of 3/8" hose (not included)



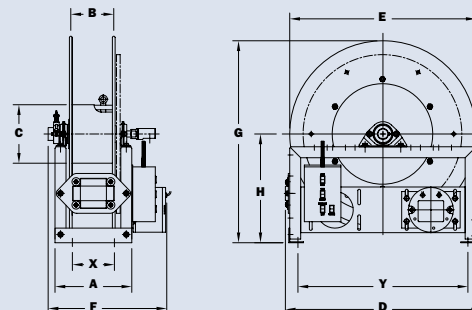
**RM Remote**

Long-range handheld remote control

Model Number	Hose Capacity of Reel			Approx. Weight		Reel Dimensions***									
	feet m			lb. kg		in. mm									
	I.D. in. mm	3/8 10	1/2 13	NET	SHIP	A	B	C	D	E	F	G	H	X	Y
<b>RME6014-28-29-8</b>	<b>300</b>	<b>150</b>	<b>130</b>			<b>160</b>	<b>10.5</b>	<b>5.5</b>	<b>8</b>	<b>27</b>	<b>26.75</b>	<b>16.5</b>	<b>28.25</b>	<b>14.88</b>	<b>5.75</b>
	91	46	59	73	267	140	203	686	679	419	718	378	146	591	
<b>RME6014-33-34-10.5</b>	<b>500</b>	<b>300</b>	<b>137</b>	<b>167</b>	<b>10.5</b>	<b>5.5</b>	<b>10.5</b>	<b>31.5</b>	<b>31.75</b>	<b>16.5</b>	<b>33.63</b>	<b>17.75</b>	<b>5.75</b>	<b>27.75</b>	
	152	91	62	76	267	140	267	800	806	419	854	451	146	705	
<b>RME6014-28-29-8-REV</b>	<b>300</b>	<b>150</b>	<b>130</b>	<b>160</b>	<b>10.5</b>	<b>5.5</b>	<b>8</b>	<b>27</b>	<b>26.75</b>	<b>16.5</b>	<b>28.25</b>	<b>14.88</b>	<b>5.75</b>	<b>23.25</b>	
	91	46	59	73	267	140	203	686	679	419	718	378	146	591	
<b>RME6014-33-34-10.5-REV</b>	<b>500</b>	<b>300</b>	<b>137</b>	<b>167</b>	<b>10.5</b>	<b>5.5</b>	<b>10.5</b>	<b>31.5</b>	<b>31.75</b>	<b>16.5</b>	<b>33.63</b>	<b>17.75</b>	<b>5.75</b>	<b>27.75</b>	
	152	91	62	76	267	140	267	800	806	419	854	451	146	705	

#### Notes:

1. Specifications subject to change.
  2. **Finish:** Refer to page 3.
  3. **Be sure to check dimensions and weights prior to ordering.**
  4. Above reels cannot be shipped via parcel post (UPS or FedEx Ground).
- NOTICE:** A flexible connector must be used between the inlet pipe and the inlet swivel joint.
- \*\*\* X, Y indicate mounting holes. See page 2.





# Series **SNC**

• Lawn Care • Pest Control • Fertilizer Mixes

**To handle single 3/8" through 5/8" I.D. hose.**

- Lightweight, low-profile reels designed for hose lengths up to 500 ft.
- Primarily 304 SST construction, including discs, axle hub, and welded frame.
- Non-SST components: Drum (Aluminum), Swivel Joint and Bearings (Plated).
- Manual (direct crank) reels include both pin lock and 3-position cam-lock drag brake.
- Electric rewind reels (denoted by letter 'E' at end of model) feature plated chain/sprocket drive with guard.
- Standard inlet: 90° full-flow swivel, 1/2" FNPT threads. Standard outlet: 1/2" FNPT threads.
- Standard pressure rated to 3000 psi (207) bar. Standard fluid temperatures from +32° F to +400 °F (0° C to +204° C).
- Consult factory for other pressures and temperatures.

**Options:**

- 304 SST stackable frame.
- SST rollers and roller mounting brackets.
- Drum, swivel joint and bearings all upgradeable to SST.
- Power rewind reels: Motor available in 12 or 24VDC, as well as 115VAC.

**Model SNC-18 ▶**  
manual rewind reel  
with optional rollers



◀ **Model SNC-18E**  
Electric Rewind (E) (hose not included)



**Model SNC-18 ▶**  
two manual rewind reels shown  
with optional stacking frame and rollers

Model Number	Hose Capacity of Reel feet m				Approx. Weight lb. kg			Reel Dimensions*** in. mm				
	I.D. in. mm	3/8 10	1/2 13	5/8 16	NET	UPS/ FedEx SHIP Wt.	Freight SHIP Wt.	A	B	E	F	X
	O.D. in. mm	.65 17	.81 21	1 25								
<b>SNC-12</b>	<b>300</b>	<b>200</b>	<b>125</b>		<b>29</b>	<b>80*</b>	<b>64</b>	<b>17</b>	<b>12</b>	<b>17.5</b>	<b>25.62</b>	<b>15.5</b>
	84	53	38		13	36	29	432	305	445	651	394
<b>SNC-18</b>	<b>400</b>	<b>300</b>	<b>200</b>		<b>31</b>	<b>98*</b>	<b>66</b>	<b>23</b>	<b>18</b>	<b>17.5</b>	<b>31.62</b>	<b>21.5</b>
	122	91	61		14	45	30	584	457	445	803	546
<b>SNC-22</b>	<b>500</b>	<b>400</b>	<b>275</b>		<b>33</b>	<b>110*</b>	<b>68</b>	<b>27</b>	<b>22</b>	<b>17.5</b>	<b>35.62</b>	<b>25.5</b>
	152	114	84		15	50	31	686	559	445	905	648
<b>SNC-12E</b>	<b>300</b>	<b>200</b>	<b>125</b>		<b>47</b>	<b>80*</b>	<b>82</b>	<b>17</b>	<b>12</b>	<b>19</b>	<b>23</b>	<b>15.5</b>
	84	53	38		21	36	37	432	305	483	584	394
<b>SNC-18E</b>	<b>400</b>	<b>300</b>	<b>200</b>		<b>49</b>	<b>98*</b>	<b>84</b>	<b>23</b>	<b>18</b>	<b>19</b>	<b>29</b>	<b>21.5</b>
	122	91	61		22	45	38	584	457	483	737	546
<b>SNC-22E</b>	<b>500</b>	<b>400</b>	<b>275</b>		<b>51</b>	<b>110*</b>	<b>86</b>	<b>27</b>	<b>22</b>	<b>19</b>	<b>33</b>	<b>25.5</b>
	152	114	84		23	50	39	686	559	483	838	648

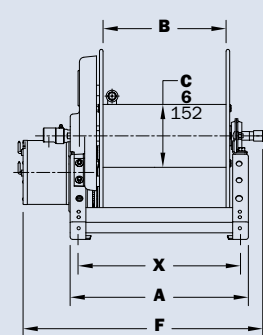
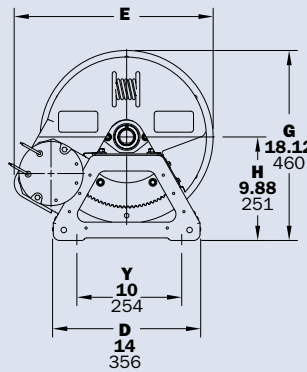
**Notes:**

1. Specifications subject to change.
2. Other models available than those shown.
3. Dimension "F" is the overall length of standard model reels.
4. Electric rewind reels indicated with 'E' in model suffix (example - SNC-12E).
5. Be sure to check dimensions and weights prior to ordering.

**NOTICE:** A flexible connector must be used between the inlet pipe and the inlet swivel joint.

\* Dimensional weight applies when shipped as a parcel package (via FedEx or UPS Ground).

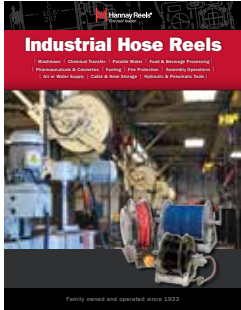
\*\*\* X, Y indicate mounting holes.



Electric rewind shown

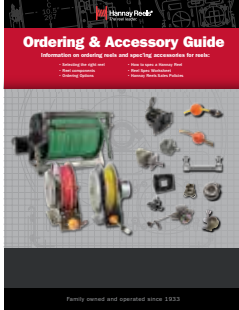
# Find reels for every need.

Learn more about all of our reels, including specs, drawings, and even how to select the right reels and accessories for your industry.



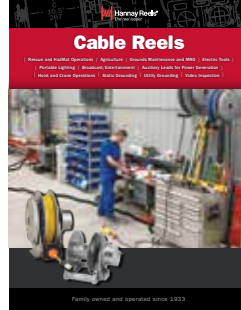
## Industrial Hose Reels

- High pressure/low pressure reels
- Air/Lube/Grease reels
- Fueling
- Washdown/Power Wash
- Industrial Fire Protection
- Hydraulic/Pneumatic applications
- Hose storage



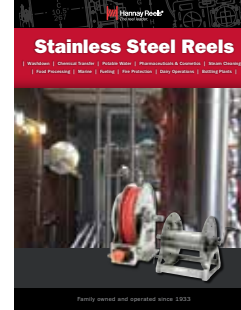
## Ordering & Accessory Guide

- Selecting the right reel
- Reel components
- Available accessories
- How to spec and order reels and accessories
- Ordering options
- Hannay Reels policies



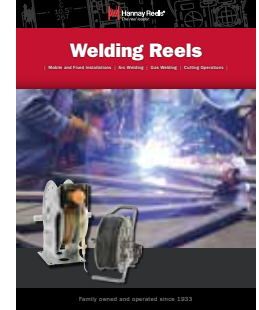
## Cable Reels

- Electric Tools
- Crane operations
- Portable Lighting
- Live and storage reels
- Video/Broadcast
- Static and Utility grounding reels



## Stainless Steel Reels

- Washdown/Power Wash
- Food & Beverage Processing
- Chemical Processing
- Potable Water
- Fueling
- Steam Cleaning



## Welding Reels

- Mobile and fixed installations
- Arc welding
- Gas welding
- Cutting operations

View all our reel catalogs online at [hannay.com](http://hannay.com)



Family owned and operated since 1933, Hannay Reels is the world leader in both OEM and aftermarket applications. Hannay offers thousands of standard hose reel and cable reel models, as well as unmatched custom capabilities. We can easily and affordably customize a reel to meet your exact specifications – built to last, delivered fast. Additional catalogs are available through your local Hannay Reels dealer or online at [hannay.com](http://hannay.com).



553 State Route 143 | Westerlo, New York 12193  
Email: [reels@hannay.com](mailto:reels@hannay.com) | [hannay.com](http://hannay.com)



All Hannay reels are constructed of quality heavy gauge steel (optional aluminum or stainless steel also available on most models).

