

C  
10.5"  
267



**Hannay Reels®**  
The reel leader.

# Pumper/Cleaner Reels

## Sewer and Pipe Maintenance

| Jetting | Steam Cleaning | Video Pipeline Inspection | Residential |  
| Washdown | Water Blasting | Vacuum Suction | Portable Toilet Cleaning | Sanitizing |



Family owned and operated since 1933

# CONTENTS

<b>Pumper/Cleaner Reels</b>	<b>Page</b>
<b>Hannay Reels Custom Department</b>	3
<b>Sewer &amp; Pipe Maintenance Reels</b>	
Series 6000	4-5
Series 6100	6
Series 6200	7
Series 6200 Hydraulic Direct Drive	8
Series 8000	9
Series 9000	10
<b>Hose Reels</b>	
Series 1500	11
Series N700	12
Series PW-2	13
<b>Vacuum Reels</b>	
Series VAC-5000	14
Series VAC (Storage Only)	15
Series VAC-9000	16-17
<b>Accessories</b>	
Utility Hose Rollers, Hose Guides, Hose Stops	18
<b>Portable Reels</b>	
Series H16-14-16 (High Pressure)	19
Series 1100/AT1200	20
Series AT1300	21
<b>Cable Reels</b>	
CR1600	22-23
ECR1600	22-23
CR6600	22-23
ECR6600	22-23
Static Grounding Reels. Series GR/HGR	24-25
<b>Hose or Cable Reel Spec Worksheet</b>	26
<b>Hannay Reels Sales Policies</b>	27



## **Built tough. Built for your industry.**

We understand the tough conditions you face every day and build reels that can stand up to the harsh, caustic environments associated with your business. Hannay Reels has engineered more custom hose reel solutions than any other manufacturer for pumper/cleaner applications. We respond to your industry's challenges with unique, innovative solutions – like our swivel base hose reel engineered exclusively for sewer cleaning.

Let us solve your reel issues with high quality, low maintenance reels built to your unique specs – so your crew can spend more time on their jobs and less time building equipment. Because at Hannay, we don't build our reels, we build yours.

### **Uses:**

- Sewer, septic, portable toilet cleaning
- High pressure washdown
- Video pipeline and sewer inspection
- Steam cleaning
- Sanitizing
- Vacuum/suction
- Jetting
- Water blasting

<b>Mounting Hole Sizes</b>	
<b>N Series Reels</b>	7/16" wide x 7/8" long slot running front to back
<b>Pressed Frame Reels and Channel Framed Reels</b>	7/16" wide x 7/8" long slot running left to right
<b>Series 1500</b>	13/32" round holes



# Hannay Reels **Custom Department**

- Superior Design and Engineering • Handcrafted • Supreme Value
- Highest Quality Materials • Optimum Performance • Service with Integrity

Our custom department, located in a separate facility on our premises, is on the forefront of design capability, producing quality reels that meet the precise requirements of the many industries we serve.

When a specific handling problem requires a completely different type of reel, we have the design experience and manufacturing flexibility to work with you to develop the best reel for your needs.



## Series 6000

- Washdown Operations • Tank Filling
- Water Blasting\* • Sewer Cleaning\*

### To handle single 1/2" through 1" I.D. hose.

- Heavy-duty reel for longer lengths of hose.
- Choose gear-driven crank rewind or chain and sprocket drive powered by an electric, hydraulic or compressed air motor.
- Crank rewind reels supplied with pinion brake; power rewind reels with a strap brake.
- Standard inlet: 90° ball bearing swivel joint, 1" female NPT threads.
- Standard outlet: 1" female NPT threads.
- Standard inlet, outlet riser, and hub assembly are steel.
- Optional rollers are available.
- Standard pressures to 2000 psi (138 bar), available up to 5000 psi (345 bar) – must specify.
- Standard fluid temperatures from -40° F to +250 °F (-40° C to +121° C). Optional temperature ratings available - consult factory.
- Chain guard available upon request, must be specified.

\* Extra heavy-duty construction is usually required for water blasting and sewer cleaning applications. Refer to our 6100 and 6200 series reels. See pages 6, 7 and 8.



Standard configuration shown with Electric Rewind (EP) option



### Optional Auxiliary Rewind

Ring and pinion shaft rewind unit with removable crank handle.



Optional Assembly C2 roller top wind and auxiliary rewind shown

# Series 6000

- Washdown Operations • Tank Filling
- Water Blasting\* • Sewer Cleaning\*

## PARTS DRAWING – ISO 84

Model Number For power rewind see Note 5	Hose Capacity of Reel feet m				Approx. Weight Crank Rewind lb. kg see Note 4		Reel Dimensions*** In. mm									
	I.D. in. mm	1/2 13	3/4 19	1 25	NET	SHIP	A	B	D	E	F CRANK	F POWER	G	H	X	Y
	O.D. in. mm	7/8 22	1-9/32 33	1-1/2 40												
6024-19-21	200	100	60	85	127	21	15.5	20.5	18.75	25.38	28.5	21.5	12.12	13	16.75	
	61	30	18	39	58	533	394	521	476	645	724	546	308	330	425	
6032-19-21	325	175	85	102	144	29.5	24	20.5	18.75	33.88	37	21.5	12.12	21.5	16.75	
	99	53	26	46	65	749	610	521	476	861	940	546	308	546	425	
6024-23-24	400	150	125	92	134	21	15.5	20.5	22.75	25.38	28.5	23.5	12.12	13	16.75	
	122	46	38	42	61	533	394	521	578	645	724	597	308	330	425	
6030-23-24	-	225	200	105	147	27.5	22	20.5	22.75	31.88	35	23.5	12.12	19.5	16.75	
	-	68	61	48	67	699	559	521	578	810	889	597	308	495	425	
6038-23-24	-	300	250	120	162	35	29.5	20.5	22.75	39.38	42.5	23.5	12.12	27	16.75	
	-	91	76	54	73	889	749	521	578	1000	1080	597	308	686	425	
6016-25-26	250	100	75	88	130	13	7.5	25.5	24.75	17.38	20.5	27.88	15.5	7.75	21.75	
	76	30	23	40	59	330	191	648	629	441	521	708	394	197	552	
6022-25-26	450	175	125	100	142	19	13.5	25.5	24.75	23.38	26.5	27.88	15.5	11	21.75	
	137	84	38	45	64	483	343	648	629	594	673	708	394	279	552	
6028-25-26	-	275	175	113	155	25.5	20	25.5	24.75	29.88	33	27.88	15.5	17.5	21.75	
	-	84	53	51	70	648	508	648	629	759	838	708	394	445	552	
6018-30-31	400	200	150	101	151	15	9.5	25.5	28.75	19.38	22.5	29.88	15.5	7	21.75	
	122	61	46	46	68	381	241	648	730	492	572	759	394	178	552	
6024-30-31	-	350	250	113	163	21	15.5	25.5	28.75	25.38	28.5	29.88	15.5	13	21.75	
	-	107	76	51	74	533	394	648	730	645	724	759	394	330	552	
6028-30-31	-	450	300	121	171	25.5	20	25.5	28.75	29.88	33	29.88	15.5	17.5	21.75	
	-	137	91	55	78	648	508	648	730	759	838	759	394	445	552	
† 6028-33-34	-	-	400	125	175	25	20	31.5	31.75	29.75	33.06	33.63	17.75	17.5	27.75	
	-	-	122	57	79	635	508	800	806	756	840	854	451	445	705	

**Notes:**

- Specifications subject to change.
- Upon request, reels can be supplied with drum lengths other than shown and with disc sizes in other diameters.
- Dimensions shown for reels up to and including 30-31 disc size reflect pressed frames. All others are rollformed channel frames.
- Weights shown in chart are for crank rewind models. ADD these amounts for power rewind models.

	Net lbs/kg	Ship lbs/kg
Electric 1/2 HP	40/18.1	40/18.1
Hydraulic	20/9.1	20/9.1
Air	20/9.1	20/9.1

- When ordering power rewind models, prefix model number with:
  - A = Air Rewind
  - EP = Electric Rewind (1/2 HP) with Switch and Solenoid
  - EPJ = Electric Rewind with EP Switch, Solenoid and Junction Box
  - HD = Hydraulic Rewind

(Air rewind reels are supplied with control valve and 18" air hose; 12v and 24v DC rewind reels are supplied with switch and solenoid; 115v AC rewind reels are not supplied with switch but can be ordered separately; hydraulic rewind reels are not supplied with control valve.)

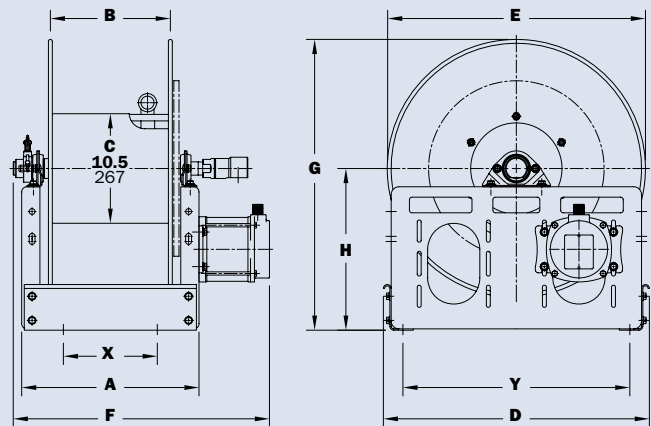
6. Finish: Refer to page 27.

7. Be sure to check dimensions and weights prior to ordering.

NOTICE: A flexible connector must be used between the inlet pipe and the inlet swivel joint.

\*\*\* X, Y indicate mounting holes. See page 2.

† Some applications require a clutch/reduction unit.



Power rewind shown



# Series 6100

- Jetting • Water Blasting
- Sewer Cleaning

**To handle single 3/8" through 1/2" I.D. hose.**

- Heavy-duty construction, strong spool to control hose expansion.
- Standard inlet: 90° ball bearing swivel joint, 1/2" female NPT threads.
- Standard outlet: 1/2" female NPT threads.
- #40 chain and sprocket drive.
- Hydraulic, Air and Electric motorized rewinds are available.
- Steel-Hub Assembly – rated to 5000 psi (345 bar).
- Standard fluid temperatures from -40° F to +250 °F (-40° C to +121° C). Optional temperature ratings available - consult factory.



Air Rewind (A) shown with optional rollers and optional auxiliary rewind

**Options**

- 10,000 psi working pressure (690 bar).
- Auxiliary rewind.
- Roller assemblies.
- Chain guard.
- Hose packages.

**PARTS DRAWING – ISO 236**

Model Number For power rewind see Note 3	Hose Capacity of Reel feet m			Approx. Weight lb. kg		Reel Dimensions*** in. mm									
	I.D. in. mm	3/8 10	1/2 13	NET	SHIP	A	B	C	D	E	F	G	H	X	Y
	O.D. in. mm	.68 17.3	.89 22.6												
<b>6118-23-24-10.5</b>	<b>400</b>	<b>200</b>	<b>170</b>	<b>205</b>	<b>16</b>	<b>9.5</b>	<b>10.5</b>	<b>23.25</b>	<b>22.75</b>	<b>22.75</b>	<b>24</b>	<b>12.63</b>	<b>9</b>	<b>20.5</b>	
	122	61	77	93	406	241	267	591	578	578	610	321	229	514	
<b>6122-23-24-10.5</b>	<b>600</b>	<b>300</b>	<b>175</b>	<b>210</b>	<b>20</b>	<b>13.5</b>	<b>10.5</b>	<b>23.25</b>	<b>22.75</b>	<b>26.75</b>	<b>24</b>	<b>12.63</b>	<b>13</b>	<b>20.25</b>	
	183	91	79	95	508	343	267	591	578	679	610	321	330	514	
<b>6116-25-26-10.5</b>	<b>400</b>	<b>200</b>	<b>171</b>	<b>206</b>	<b>14</b>	<b>7.5</b>	<b>10.5</b>	<b>25.25</b>	<b>24.75</b>	<b>20.75</b>	<b>26</b>	<b>13.63</b>	<b>7</b>	<b>22.25</b>	
	122	61	78	93	356	191	267	641	629	527	660	346	178	565	
<b>6118-25-26-10.5</b>	<b>475</b>	<b>300</b>	<b>176</b>	<b>211</b>	<b>16</b>	<b>9.5</b>	<b>10.5</b>	<b>25.25</b>	<b>24.75</b>	<b>22.75</b>	<b>26</b>	<b>13.63</b>	<b>9</b>	<b>22.25</b>	
	145	91	80	96	406	241	267	641	629	578	660	346	229	565	
<b>6122-25-26-10.5</b>	<b>700</b>	<b>450</b>	<b>187</b>	<b>222</b>	<b>20</b>	<b>13.5</b>	<b>10.5</b>	<b>25.25</b>	<b>24.75</b>	<b>26.75</b>	<b>26</b>	<b>13.63</b>	<b>13</b>	<b>22.25</b>	
	213	137	85	101	508	343	267	641	629	679	660	346	330	565	
<b>6116-30-31-10.5</b>	<b>600</b>	<b>300</b>	<b>200</b>	<b>250</b>	<b>14</b>	<b>7.5</b>	<b>10.5</b>	<b>29.25</b>	<b>28.75</b>	<b>20.75</b>	<b>31</b>	<b>16.63</b>	<b>7</b>	<b>26.25</b>	
	183	91	91	113	356	191	267	743	730	527	787	422	178	667	
<b>6118-30-31-10.5</b>	<b>675</b>	<b>400</b>	<b>205</b>	<b>255</b>	<b>16</b>	<b>9.5</b>	<b>10.5</b>	<b>29.25</b>	<b>28.75</b>	<b>22.75</b>	<b>31</b>	<b>16.63</b>	<b>9</b>	<b>26.25</b>	
	206	122	93	116	406	241	267	743	730	578	787	422	229	667	

**Notes:**

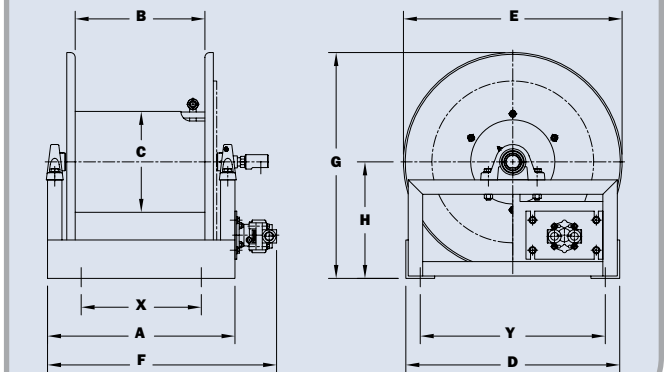
- Specifications subject to change.
- Upon request, reels can be supplied with drum lengths other than shown and with disc sizes in other diameters.
- When ordering power rewind models, prefix model number with:
  - A** = Air Rewind
  - EP** = Electric Rewind (2/3 HP) with Switch and Solenoid
  - EPJ** = Electric Rewind with EP Switch, Solenoid and Junction Box
  - HD** = Hydraulic Rewind

(Air rewind reels are supplied with control valve and 18" air hose; 12v and 24v DC rewind reels are supplied with switch and solenoid; 115v AC rewind reels are not supplied with switch but can be ordered separately; hydraulic rewind reels are not supplied with control valve.)

- Finish:** Refer to page 27.
- Be sure to check dimensions and weights prior to ordering.**

**NOTICE:** A flexible connector must be used between the inlet pipe and the inlet swivel joint.

\*\*\* X, Y indicate mounting holes which are 5/8" diameter.



Power rewind shown

# Series 6200

• Water Blasting • Sewer Cleaning

**To handle single 3/4" through 1" I.D. hose.**

- Heavy-duty construction, strong spool and frame to control hose expansion.
- Standard inlet: 90° ball bearing swivel joint, 1" female NPT threads.
- Standard outlet: 1" female NPT threads.
- Hydraulic motor rewind, #50 chain and sprocket drive.
- Steel hub assembly – rated to 3000 psi (207 bar).
- Standard fluid temperatures from -40° F to +250 °F (-40° C to +121° C). Optional temperature ratings available - consult factory.
- Assembly "A" roller on front of frame.
- Full chain guard.

**Options**

- 5000 psi working pressure (345 bar).
- Direct drive (hydraulic) motor rewind (see page 8).
- Hose packages.
- Roller assemblies.



Standard configuration shown

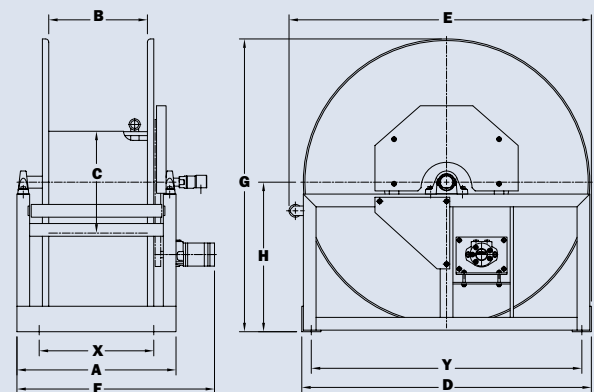
**PARTS DRAWING – ISO 237**

Model Number <small>For power rewind see Note 3</small>	Hose Capacity of Reel feet m			Approx. Weight lb. kg		Reel Dimensions*** in. mm									
	I.D. in. mm	3/4 19	1 25	NET	SHIP	A	B	C	D	E	F	G	H	X	Y
	O.D. in. mm	1.18 29.9	1.43 36.3												
<b>6218-33-34-16</b>		<b>225</b> 69	<b>150</b> 46	<b>367</b> 166	<b>418</b> 190	<b>19</b> 483	<b>9.5</b> 241	<b>16</b> 406	<b>32.25</b> 819	<b>34.25</b> 870	<b>24</b> 610	<b>34</b> 864	<b>18.13</b> 461	<b>12</b> 305	<b>29.25</b> 749
<b>6222-33-34-16</b>		<b>300</b> 91	<b>200</b> 61	<b>392</b> 178	<b>446</b> 202	<b>23</b> 584	<b>13.5</b> 343	<b>16</b> 406	<b>32.25</b> 819	<b>34.25</b> 870	<b>28</b> 711	<b>34</b> 864	<b>18.13</b> 461	<b>16</b> 406	<b>29.25</b> 749
<b>6224-33-34-16</b>		<b>375</b> 114	<b>225</b> 69	<b>405</b> 184	<b>455</b> 206	<b>25</b> 635	<b>15.5</b> 394	<b>16</b> 406	<b>32.25</b> 819	<b>34.25</b> 870	<b>30</b> 762	<b>34</b> 864	<b>18.13</b> 461	<b>18</b> 457	<b>29.25</b> 749
<b>6218-39-40-16</b>		<b>350</b> 107	<b>250</b> 76	<b>454</b> 206	<b>524</b> 238	<b>19</b> 483	<b>9.5</b> 241	<b>16</b> 406	<b>39.5</b> 1003	<b>41.5</b> 1054	<b>25</b> 635	<b>40</b> 1016	<b>20.5</b> 521	<b>12</b> 305	<b>36.5</b> 927
<b>6220-39-40-16</b>		<b>400</b> 122	<b>300</b> 91	<b>466</b> 211	<b>536</b> 243	<b>21</b> 533	<b>11.5</b> 292	<b>16</b> 406	<b>39.5</b> 1003	<b>41.5</b> 1054	<b>27</b> 686	<b>40</b> 1016	<b>20.5</b> 521	<b>14</b> 356	<b>36.5</b> 927
<b>6222-39-40-16</b>		<b>500</b> 152	<b>350</b> 107	<b>480</b> 218	<b>555</b> 252	<b>23</b> 584	<b>13.5</b> 343	<b>16</b> 406	<b>39.5</b> 1003	<b>41.5</b> 1054	<b>29</b> 737	<b>40</b> 1016	<b>20.5</b> 521	<b>16</b> 406	<b>36.5</b> 927
<b>6224-39-40-16</b>		<b>600</b> 183	<b>400</b> 122	<b>492</b> 223	<b>577</b> 263	<b>25</b> 635	<b>15.5</b> 394	<b>16</b> 406	<b>39.5</b> 1003	<b>41.5</b> 1054	<b>31</b> 787	<b>40</b> 1016	<b>20.5</b> 521	<b>18</b> 457	<b>36.5</b> 927
<b>6220-45-46-16</b>		-	<b>400</b> 122	<b>543</b> 246	<b>628</b> 285	<b>21</b> 533	<b>11.5</b> 292	<b>16</b> 406	<b>45.5</b> 1156	<b>47.5</b> 1207	<b>27</b> 686	<b>46</b> 1168	<b>23.5</b> 597	<b>14</b> 356	<b>42.5</b> 1080
<b>6224-45-46-16</b>		<b>900</b> 274	<b>500</b> 152	<b>570</b> 259	<b>655</b> 297	<b>25</b> 635	<b>15.5</b> 394	<b>16</b> 406	<b>45.5</b> 1156	<b>47.5</b> 1207	<b>31</b> 787	<b>46</b> 1168	<b>23.5</b> 597	<b>18</b> 457	<b>42.5</b> 1080

**Notes:**

1. Specifications subject to change.
2. Upon request, reels can be supplied with drum lengths other than shown and with disc sizes in other diameters.
3. When ordering power rewind models, prefix model number with **HD**=Hydraulic Rewind. Hydraulic rewind reels are not supplied with control valve.

4. **Finish:** Refer to page 27.
5. **Be sure to check dimensions and weights prior to ordering.**  
**NOTICE:** A flexible connector must be used between the inlet pipe and the inlet swivel joint.  
\*\*\* X, Y indicate mounting holes which are 5/8" diameter.



Power rewind shown

# Series **HDD6200** | Hydraulic Direct Drive

- **Water Blasting • Sewer Cleaning**

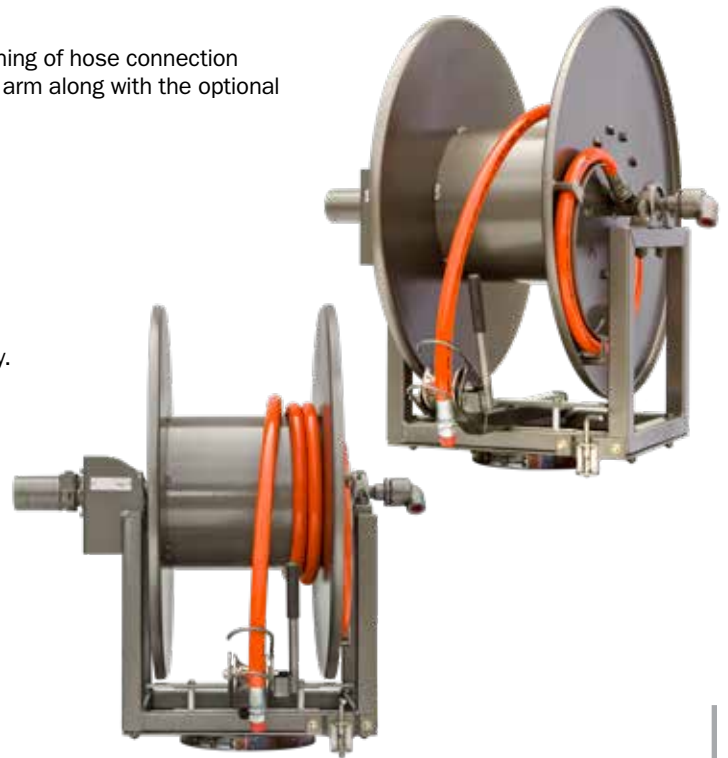
**To handle single 3/4" through 1" I.D. hose.**

This reel is designed with external hose connection to allow tightening of hose connection without removing all hose from the spool. The optional hose guide arm along with the optional swivel base, allow precise payout of hose from the reel.

- Direct drive hydraulic motor (no chain and sprocket maintenance).
- 1" swivel joint with 1" FNPT threads.
- Heavy-duty spool and frame design.
- Steel hub assembly – rated to 3000 psi (207 bar).
- Standard fluid temperatures from -40° F to +250 °F (-40° C to +121° C). Optional temperature ratings available - consult factory.
- Other models and capacities are available upon request.

**Options:**

- Swinging guide arm with roller and operator handle.
- Rotating ball bearing swivel base.
- Heavy-duty pin lock in base for locking in multiple locations.
- 1" swivel joint with adjustable packing.
- Available up to 6000 psi (414 bar) – must specify.



Standard configuration shown with optional guide arm, pivot bearing, and TMI joint (hose not included)

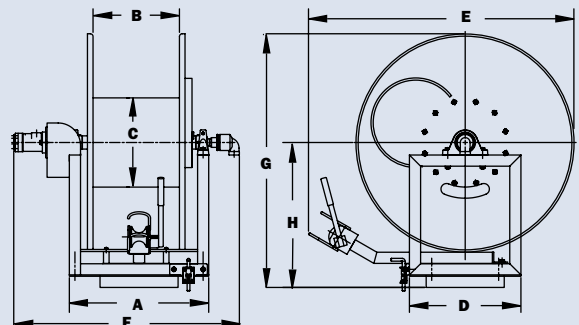
**PARTS DRAWING – ISO 238**

Model Number <small>For power rewind see Note 3</small>	Hose Capacity of Reel feet m			Approx. Weight lb. kg		Reel Dimensions in. mm							
	I.D. in. mm	3/4 19	1 25	NET	SHIP	A	B	C	D	E	F	G	H
	O.D. in. mm	1.18 29.9	1.43 36.3										
<b>HDD6222-39-40-16</b>	<b>500</b>	<b>350</b>	<b>480</b>	<b>555</b>	<b>23</b>	<b>13.5</b>	<b>16</b>	<b>20</b>	<b>47.6</b>	<b>38.5</b>	<b>45.5</b>	<b>26</b>	
	152	107	218	252	584	343	406	508	1209	978	1156	660	
<b>HDD6224-39-40-16</b>	<b>600</b>	<b>400</b>	<b>492</b>	<b>577</b>	<b>25</b>	<b>15.5</b>	<b>16</b>	<b>20</b>	<b>47.6</b>	<b>40.5</b>	<b>45.5</b>	<b>26</b>	
	183	122	223	263	635	394	406	508	1209	1029	1156	660	
<b>HDD6220-45-46-16</b>	<b>500</b>	<b>400</b>	<b>543</b>	<b>628</b>	<b>21</b>	<b>11.5</b>	<b>16</b>	<b>20</b>	<b>50.6</b>	<b>36.5</b>	<b>51.5</b>	<b>29</b>	
	152	122	246	285	533	292	406	508	1285	927	1308	737	
<b>HDD6224-45-46-16</b>	<b>900</b>	<b>500</b>	<b>570</b>	<b>655</b>	<b>25</b>	<b>15.5</b>	<b>16</b>	<b>20</b>	<b>50.6</b>	<b>40.5</b>	<b>51.5</b>	<b>29</b>	
	274	152	259	297	635	394	406	508	1285	1029	1308	737	

**Notes:**

1. Specifications subject to change.
2. Upon request, reels can be supplied with drum lengths other than shown and with disc sizes in other diameters.
3. Hydraulic rewind reels are not supplied with control valve.
4. **Finish:** Refer to page 27.
5. **Be sure to check dimensions and weights prior to ordering.**

**NOTICE:** A flexible connector must be used between the inlet pipe and the inlet swivel joint.





# Series 8000

- Suction/Discharge (Consult Factory) • Bulk Transfer
- Chemical Transfer • General Dispensing

### To handle single 1-1/2" or 2" I.D. hose.

- Heavy-duty reel designed for longer lengths and larger diameters of hose through 2" I.D.
- Choose gear-driven crank rewind or chain and sprocket drive powered by an electric, hydraulic or compressed air motor.
- Crank rewind reels supplied with a pinion brake; power rewind reels with a strap brake.
- Standard inlet: 90° ball bearing swivel joint, 2" female NPT threads.
- Standard outlet: 2" female NPT threads.
- Standard inlet, outlet riser, and hub assembly are steel.
- Pressures to 600 psi (41 bar).
- Standard fluid temperatures from -20° F to +212 °F (-29° C to +100° C).
- Consult factory for other pressures and temperatures.
- Rollers may be purchased as accessory items.
- Vacuum and suction applications require OPW joint with O-ring seal riser.



Standard configuration shown with Electric Rewind (EP) option



### Inline Gearbox

For use on power reels with disc diameter 39" or larger and/or when increased torque and slower rewind speeds are required. Factory installed when specified or available as an accessory item.

### PARTS DRAWING – ISO 35

Model Number For power rewind see Note 4	Hose Capacity of Reel feet m			Approx. Weight Crank Rewind lb. kg see Note 3		Reel Dimensions*** in. mm									
	I.D. in. mm	1-1/2 38	2 51	NET	SHIP	A	B	D	E	F CRANK	F POWER	G	H	X	Y
	O.D. in. mm	2-1/16 52	2-9/16 65			26.25 667	20 508	27 686	25.75 654	33.75 857	34.75 883	26.62 676	13.75 349	18.75 476	23.25 591
<b>8234-26-27-15.5</b>	80 24	60 18	120 54	170 77	26.25 667	20 508	27 686	25.75 654	33.75 857	34.75 883	26.62 676	13.75 349	18.75 476	23.25 591	
<b>8238-26-27-15.5</b>	100 30	75 23	145 66	195 88	30.25 768	24 610	27 686	25.75 654	37.75 959	38.75 984	26.62 676	13.75 349	22.75 578	23.25 591	
<b>8246-26-27-15.5</b>	145 44	100 30	196 89	245 112	38.25 972	32 813	27 686	25.75 654	45.75 1162	46.75 1188	26.62 676	13.75 349	30.75 781	23.25 591	
<b>8226-33-34-15.5</b>	85 26	60 18	80 36	150 68	17.75 451	11.5 292	31.5 800	31.75 806	25.25 641	26.25 667	33.38 848	17.75 445	10.25 260	27.75 705	
<b>8234-33-34-15.5</b>	150 46	115 35	133 60	230 105	26.25 667	20 508	31.5 800	31.75 806	33.75 857	34.75 883	33.38 848	17.75 445	18.75 476	27.75 705	
<b>8238-39-40-15.5</b>	340 104	225 69	218 99	420 191	30.25 768	24 610	40 1016	39 991	37.75 959	38.75 984	39.88 1013	20.38 518	22.75 578	36.75 933	

### Notes:

- Specifications subject to change.
- Upon request, reels can be supplied with drum lengths other than shown and with disc sizes in other diameters.
- Weights shown in chart are for crank rewind models. ADD these amounts for power rewind models.

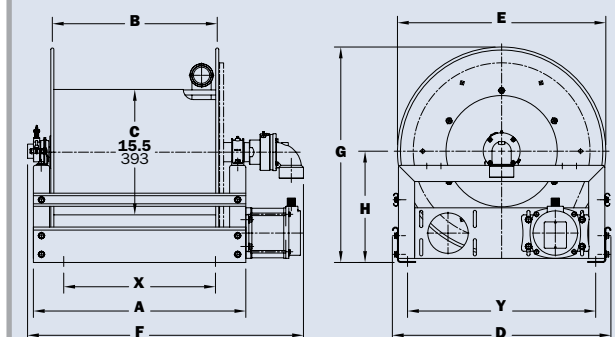
	Net lbs/kg	Ship lbs/kg
<b>Electric</b>	40/18.1	40/18.1
<b>Hydraulic</b>	20/9.1	20/9.1
<b>Air</b>	20/9.1	20/9.1

- When ordering power rewind models, prefix model number with:  
**A** = Air Rewind  
**EP** = Electric Rewind (1/2 HP)  
**HD** = Hydraulic Rewind  
 (Air rewind reels are supplied with control valve and 25" air hose; 12v and 24v DC rewind reels are supplied with switch and solenoid; 115v AC rewind reels are not supplied with switch but can be ordered separately; hydraulic rewind reels are not supplied with control valve.)

- Finish:** Refer to page 27.
- Be sure to check dimensions and weights prior to ordering.**

**NOTICE:** A flexible connector must be used between the inlet pipe and the inlet swivel joint.

\*\*\* X, Y indicate mounting holes. See page 2.



Power rewind shown

# Series 9000

- Suction/Discharge (Consult Factory) • Bulk Transfer
- High Volume Application • Chemical Transfer

**To handle 2" through 3" I.D. hose.**

- Heavy-duty reel designed for longer lengths and larger diameters of hose through 3" I.D.
- Choose gear-driven crank rewind or chain and sprocket drive powered by an electric, hydraulic or compressed air motor.
- Crank rewind reels supplied with a pinion brake; power rewind reels with a strap brake.
- Standard inlet: 90° ball bearing swivel joint, 3" female NPT threads.
- Standard outlet: 3" female NPT threads.
- Standard, outlet riser, and hub assembly are aluminum with ductile inlet.
- Rollers may be purchased as accessory items.
- Pressures to 300 psi (21 bar).
- Standard fluid temperatures from -20° F to +212 °F (-29° C to +100° C).
- Consult factory for other pressures and temperatures.



Standard configuration shown with Electric Rewind (EP) option



**Inline Gearbox**

For use on power reels with disc diameter 39" or larger and/or when increased torque and slower rewind speeds are required. Factory installed when specified or available as an accessory item.

**PARTS DRAWING – ISO 57**

Model Number <small>For power rewind see Note 4</small>	Hose Capacity of Reel feet m			Approx. Weight Crank Rewind lb. kg <small>see Note 3</small>		Reel Dimensions*** in. mm																		
	I.D. in. mm	2-1/2 64	3 76	NET	SHIP	A	B	D	E	F CRANK	F POWER	G	H	X	Y									
	O.D. in. mm	3-3/16 81	3-3/4 95																					
<b>9332-33-34-20</b>	<b>30</b>	<b>25</b>	<b>147</b>	<b>217</b>	<b>23.75</b>	<b>17.5</b>	<b>31.5</b>	<b>31.75</b>	<b>33.75</b>	<b>33.25</b>	<b>33.88</b>	<b>1.8</b>	<b>16.25</b>	<b>27.75</b>	<b>603</b>	<b>445</b>	<b>800</b>	<b>80</b>	<b>857</b>	<b>845</b>	<b>861</b>	<b>457</b>	<b>413</b>	<b>705</b>
<b>9338-33-34-20</b>	<b>45</b>	<b>35</b>	<b>187</b>	<b>257</b>	<b>30.25</b>	<b>24</b>	<b>31.5</b>	<b>31.75</b>	<b>40.25</b>	<b>39.75</b>	<b>33.88</b>	<b>1.8</b>	<b>22.75</b>	<b>27.75</b>	<b>768</b>	<b>610</b>	<b>800</b>	<b>807</b>	<b>1022</b>	<b>1010</b>	<b>861</b>	<b>457</b>	<b>578</b>	<b>705</b>
<b>9346-33-34-20</b>	<b>60</b>	<b>50</b>	<b>237</b>	<b>372</b>	<b>38.25</b>	<b>32</b>	<b>31.5</b>	<b>31.75</b>	<b>48.25</b>	<b>47.75</b>	<b>33.88</b>	<b>1.8</b>	<b>30.75</b>	<b>27.75</b>	<b>972</b>	<b>813</b>	<b>800</b>	<b>807</b>	<b>1226</b>	<b>1213</b>	<b>861</b>	<b>457</b>	<b>781</b>	<b>705</b>
<b>9338-39-40-20</b>	<b>90</b>	<b>80</b>	<b>239</b>	<b>480</b>	<b>30.25</b>	<b>24</b>	<b>40</b>	<b>39</b>	<b>40.25</b>	<b>39.75</b>	<b>40.38</b>	<b>20.88</b>	<b>22.75</b>	<b>36.75</b>	<b>768</b>	<b>610</b>	<b>1016</b>	<b>991</b>	<b>1022</b>	<b>1010</b>	<b>1026</b>	<b>530</b>	<b>578</b>	<b>933</b>
<b>9334-45-46-20</b>	<b>130</b>	<b>115</b>	<b>361</b>	<b>525</b>	<b>26.25</b>	<b>20</b>	<b>46</b>	<b>45</b>	<b>36.25</b>	<b>35.75</b>	<b>46.38</b>	<b>23.88</b>	<b>18.75</b>	<b>42.75</b>	<b>667</b>	<b>508</b>	<b>1168</b>	<b>1143</b>	<b>921</b>	<b>908</b>	<b>1178</b>	<b>607</b>	<b>476</b>	<b>1086</b>

**Notes:**

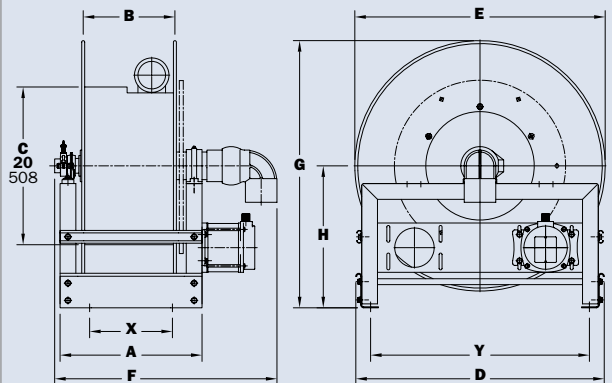
- Specifications subject to change.
- Upon request, reels can be supplied with drum lengths other than shown and with disc sizes in other diameters.
- Weights shown in chart are for crank rewind models. ADD these amounts for power rewind models.

	Net lbs/kg	Ship lbs/kg
<b>Electric</b>	<b>40/18.1</b>	<b>40/18.1</b>
<b>Hydraulic</b>	<b>20/9.1</b>	<b>20/9.1</b>
<b>Air</b>	<b>20/9.1</b>	<b>20/9.1</b>

- When ordering power rewind models, prefix model number with:  
**A** = Air Rewind  
**EP** = Electric Rewind (1/2 HP)  
**HD** = Hydraulic Rewind  
 (Air rewind reels are supplied with control valve and 25" air hose; 12v and 24v DC rewind reels are supplied with switch and solenoid; 115v AC rewind reels are not supplied with switch but can be ordered separately; hydraulic rewind reels are not supplied with control valve.)
- Finish:** Refer to page 27.

**6. Be sure to check dimensions and weights prior to ordering.**

**NOTICE:** A flexible connector must be used between the inlet pipe and the inlet swivel joint.  
 \*\*\* X, Y indicate mounting holes. See page 2.



Power rewind shown

# Series 1500

• Pressure Washing • Steam Cleaning • Washdown

**To handle single 3/8" through 5/8" I.D. hose.**

- Lightweight, compact reels designed for long lengths of hose.
- Manual rewind reels include: cam-lock drag brake, spring actuated pin lock and direct crank rewind.
- Power rewind reels include: chain and sprocket drive powered by electric, hydraulic or air motor.
- Standard inlet: 90° ball bearing swivel joint, 1/2" female NPT threads.
- Standard outlet: 1/2" female NPT threads.
- Standard pressures to 3000 psi (207 bar), available up to 10,000 psi (690 bar) – must specify.
- Standard fluid temperatures from +32° F to +400 °F (0° C to +204° C). Optional temperature ratings available - consult factory.
- Rollers and roller mounting brackets are accessory items. Must specify roller position when ordering.
- Optional stainless steel construction and internals – consult factory.
- **Heavy-Duty Upgrade Options:** 3/16" thick discs, 8" diameter steel 14 gage drum, and optional pressures of 5000 or 10,000 psi, must specify when ordering.
- **Optional HGK-15 Hose Guide Kit:** Includes Hose Guide, handle grip, 2 stainless steel guide rods, 4 mounting blocks, steel mounting bracket set, and all mounting hardware. Must specify when ordering (see page 18).



◀ Standard configuration shown with Electric Rewind (E) option



Standard configuration shown ▶ with Crank Rewind



**Optional External Mounting Brackets**

Part No. 9906.0027.  
Add 2-1/2" to the X dimensions shown in the chart.

**PARTS DRAWING – ISO 90 (POWER); ISO 179 (MANUAL)**

Model Number <small>For power rewind see Note 5</small>	Hose Capacity of Reel feet m				Approx. Weight Crank Rewind lb. kg (see Note 3)			Reel Dimensions*** in. mm						
	I.D. in. mm	3/8 10	1/2 13	5/8 16	NET	UPS/ FedEx SHIP Wt.	Freight SHIP Wt.	A	B	E CRANK	E POWER	F CRANK	F POWER	X
	O.D. in. mm	3/4 19	7/8 22	1 25										
<b>1514-17-18</b>	<b>125</b>	<b>75</b>	<b>50</b>	<b>27</b>	<b>65*</b>	<b>62</b>	<b>11</b>	<b>6</b>	<b>17.5</b>	<b>19</b>	<b>19.25</b>	<b>17</b>	<b>9.5</b>	
	38	23	15	12	30	28	279	152	445	483	489	432	241	
<b>1520-17-18</b>	<b>275</b>	<b>175</b>	<b>125</b>	<b>29</b>	<b>80*</b>	<b>64</b>	<b>17</b>	<b>12</b>	<b>17.5</b>	<b>19</b>	<b>25.25</b>	<b>23</b>	<b>15.5</b>	
	84	53	38	13	36	29	432	305	445	483	641	584	394	
<b>1526-17-18</b>	<b>400</b>	<b>300</b>	<b>200</b>	<b>31</b>	<b>98*</b>	<b>66</b>	<b>23</b>	<b>18</b>	<b>17.5</b>	<b>19</b>	<b>31.25</b>	<b>29</b>	<b>21.5</b>	
	122	91	61	14	45	30	584	457	445	483	794	737	546	
<b>1530-17-18</b>	<b>500</b>	<b>375</b>	<b>275</b>	<b>33</b>	<b>110*</b>	<b>68</b>	<b>27</b>	<b>22</b>	<b>17.5</b>	<b>19</b>	<b>35.25</b>	<b>33</b>	<b>25.5</b>	
	152	114	84	15	50	31	686	559	445	483	895	838	648	
<b>1536-17-18</b>	–	<b>475</b>	<b>350</b>	<b>35</b>	–	<b>70</b>	<b>33</b>	<b>28</b>	<b>17.5</b>	<b>19</b>	<b>41.25</b>	<b>39</b>	<b>31.5</b>	
	–	145	107	16	–	32	838	711	445	483	1048	991	800	

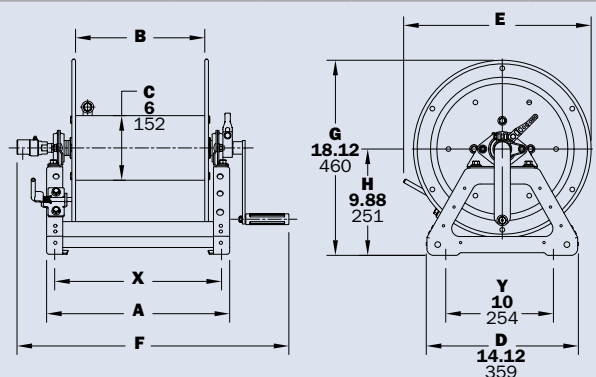
**Notes:**

1. Specifications subject to change.
2. Upon request, reels can be supplied with drum lengths other than shown.
3. Weights shown in chart are for crank rewind models. ADD these amounts for power rewind models (does not apply to FedEx or UPS):
 

	Net lbs/kg	Ship lbs/kg
<b>Electric</b>	<b>18/8.2</b>	<b>18/8.2</b>
<b>Hydraulic</b>	<b>15/6.8</b>	<b>15/6.8</b>
<b>Air</b>	<b>15/6.8</b>	<b>15/6.8</b>
4. Dimension "F" is the overall length of standard model reels.
5. When ordering power rewind models, prefix model number with:
  - A** = Air Rewind
  - E** = Electric Rewind
  - HD** = Hydraulic Rewind

(Air rewind reels are supplied with control valve and 18" air hose; 12v and 24v DC rewind reels are supplied with switch and solenoid; 115v AC rewind reels are not supplied with switch but can be ordered separately; hydraulic rewind reels are not supplied with control valve.)

6. Manual rewind available in RT or LB configurations only.
  7. **Finish:** Refer to page 27.
  8. **Be sure to check dimensions and weights prior to ordering.**
  9. Some roller options may prohibit the use of our molded chain guard.
- NOTICE:** A flexible connector must be used between the inlet pipe and the inlet swivel joint.  
\* Dimensional weight applies when shipped as a parcel package (via FedEx or UPS Ground).  
\*\*\* X, Y indicate mounting holes. See page 2.



Crank rewind shown



# Series N700

- Lubrication • Air/Water • Assembly Operations
- Washdown • Air Tools • General Industrial Applications

**To handle 1/4" through 1/2" I.D. hose.**

- Narrow frame and compact mounting base.
- Non-sparking ratchet assembly.
- Declutching arbor to prevent damage from reverse winding.
- Standard inlet: 90° balanced pressure swivel joint, 1/2" female NPT threads.
- Standard outlet: 1/2" female NPT threads.
- Standard pressures to 3000 psi (207 bar), available up to 10,000 psi (690 bar) – must specify.
- Standard fluid temperatures from -40° F to +250° F (-40° C to +121° C). Optional temperature ratings available - consult factory.
- 4-way roller assembly.
- Constant tension is available – consult factory.



Standard SR configuration shown



**Optional Swivel Mounting Bracket**

Part No. 9908.9990. For N-Series spring retractable reels, available as a kit. Conditions apply, consult factory.

**PARTS DRAWING – ISO 79**

Model Number	Hose Capacity of Reel feet m				Approx. Weight lb. kg			Standard Roller Assy.	Reel Dimensions*** in. mm							
	I.D. in. mm	1/4 6	3/8 10	1/2 13	NET	UPS/ FedEx SHIP Wt.	Freight SHIP Wt.		A	B	C	E	F	G	H	X
	O.D. in. mm	5/8 16	3/4 19	7/8 22												
N716-14-16-8C	-	25	25	52	64*	87	N204	10	4	8	18.12	11.63	16.12	9.12	8	
	-	8	8	24	29	39		254	102	203	460	295	409	232	203	
N716-16-17-10.5C	-	35	35	55	69*	90	N204	10	4	10.5	19	11.63	17	9.12	8	
	-	11	11	25	31	41		254	102	267	483	295	432	232	203	
†N716-17-18-8L	-	50†	50†	55	68*	90	N204	10	4	8	19.5	11.63	17.38	9.12	8	
	-	15†	15†	25	31	41		254	102	203	495	295	441	232	203	
N716-19-20-10.5J	-	50	50	64	82*	99	N204	10	4	10.5	20.75	11.63	20	10.62	8	
	-	15	15	29	37	45		254	102	267	527	295	508	270	203	
N716-23-24-15.5J	-	65	65	79	94*	114	N204	10	4	15.5	24	11.63	24	12.62	8	
	-	20	20	36	43	52		254	102	394	610	295	610	321	203	
N716-23-24-15.5G	100	75	65	94	101*	129	N204	10	4	15.5	24	11.63	24	12.62	8	
	30	23	20	43	46	59		254	102	394	610	295	610	321	203	
N716-25-26-15.5B	-	75	75	90	-	125	N204	10	4	15.5	25.5	11.63	26	13.62	8	
	-	23	23	41	-	57		254	102	394	648	295	660	346	203	
N718-25-26-15.5G	-	100	100	96	-	131	N206	12	6	15.5	25.5	13.63	26	13.62	10	
	-	30	30	44	-	59		305	152	394	648	346	660	346	254	
††N718-25-26-15.5 SD	-	100	100	104	-	139	N206	12	6	15.5	25.5	14.38	26	13.62	10	
	-	30	30	47	-	63		305	152	394	648	365	660	345	254	

**Notes:**

**A hose stop is necessary to keep spring from unwinding.**

1. Specifications subject to change.
2. Reel models and capacities shown are for standard drag applications; for heavy-duty or vertical lift applications, consult factory.
3. Other sizes, from standard components, available on request.
4. **Finish:** Refer to page 3.
5. **Be sure to check dimensions and weights prior to ordering.**

**NOTICE:** A flexible connector must be used between the inlet pipe and the inlet swivel joint.

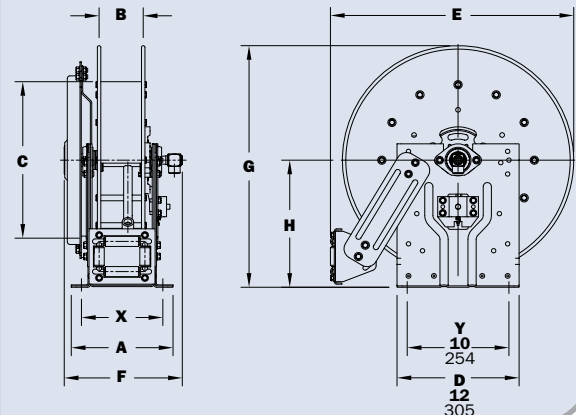
\*Dimensional weight may apply when shipped as a parcel package (via FedEx or UPS Ground).

\*\*\*X, Y indicate mounting holes. See page 5.

†Capacity based on low pressure air hose only.

Not for vertical lift applications.

††SD spring to be used for heavy-duty or vertical lift applications, consult factory.



**Available Roller Positions**



# Series PW-2

- Pressure Washing • Steam Cleaning • Spray Operations • Washdown
- Optional Mounting Kits

### To handle single 3/8" or 1/2" I.D. hose.

- Permanent direct crank rewind, with adjustable split bearing brake assembly.
- Standard inlet: full flow swivel joint with 1/2" NPT fitting.
- Standard outlet: 1/2" female NPT fitting, supplied with 1/2" MNPT to 3/8" FNPT reducing bushing. Other sizes and/or threads available, must specify.
- Pressures up to 5000 psi (345 bar). Flow rate of over 12 gpm @ 15 fps.
- Standard fluid temperatures from +32° F to +400 °F (0° C to +204° C). Optional temperature ratings available - consult factory.
- Captive (4-sided) hose guide roller assembly.
- Black powder coated finish.
- Optional stainless steel construction and internals – consult factory.



Optional PWK-200 mounting kit shown

### Optional Mounting Kits

Wall, floor, pivoting and non-pivoting options are available. Combination kits also available depending on installation. Must specify mounting position when ordering mounting kits (kits include hardware). Universal mounting pattern (2.75" x 5").

**PWK-200** – Rigid (non-pivoting) wall mounting. Floor mounting available, consult factory.

**PWK-300** – Mounting to 1" round tubing. Other tubing (round or square) sizes available, consult factory.

**PWK-400** – Wall mounting - ability to pivot the reel. Includes pivoting platform, knob, and mounting hardware. (Mounting hole pattern: 2.75" x 2.75").



Optional PWK-400 kit – wall installation shown

Optional PWK-400/300 combo kit – vertical tube installation shown

### PARTS DRAWING – ISO 193

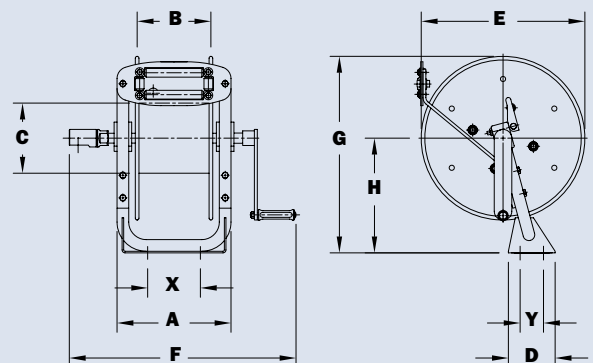
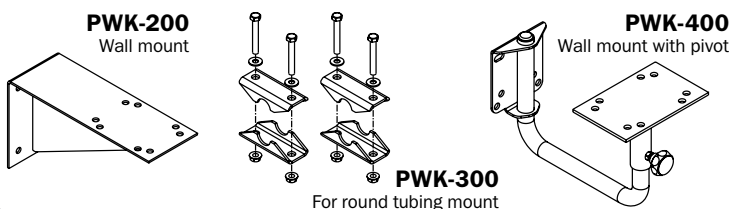
Model Number	Hose Capacity of Reel feet m			Approx. Weight Crank Rewind lb. kg			Reel Dimensions*** in. mm									
	I.D. in. mm	3/8 10	1/2 13	NET	UPS/ FedEx SHIP Wt.	Freight SHIP Wt.	A	B	C	D	E	F	G	H	X	Y
	O.D. in. mm	3/4 19	7/8 22				9	6	6	4	16.75	17	18.25	10	5	2.75
<b>PW-2</b>		125 38	75 23	26 12	58* 26	32 15	229	152	152	102	425	432	464	254	127	70

#### Notes:

1. Specifications subject to change.
2. **Finish:** Refer to page 3.
3. **Be sure to check dimensions and weights prior to ordering.**

**NOTICE:** A flexible connector must be used between the inlet pipe and the inlet swivel joint.  
\* When shipped as a parcel package (via FedEx or UPS Ground).  
\*\*\* X, Y indicate mounting holes. See page 2.

### MOUNTING KITS



# Series **VAC-5000** | Single Wrap Reel

• Vacuum/Suction

## To handle 2" through 4" I.D. hose

- Heavy-duty reel for longer lengths and large diameters of vacuum hose through 4".
- Choose gear driven crank rewind or chain and sprocket drive powered by an electric, hydraulic or compressed air motor.
- Standard: 90° ball bearing swivel joint with female NPT threads.
- Standard fluid temperatures from -20° F to +212 °F (-29° C to +100° C). Optional temperature ratings available - consult factory.

### Single Wrap Configuration:

Use where width dimension is minimal, such as between cab and tank, mounted transverse to frame of truck. Provides effortless and fast rewinding and wrapping of hose. Easy access to hose from both sides of vehicle.

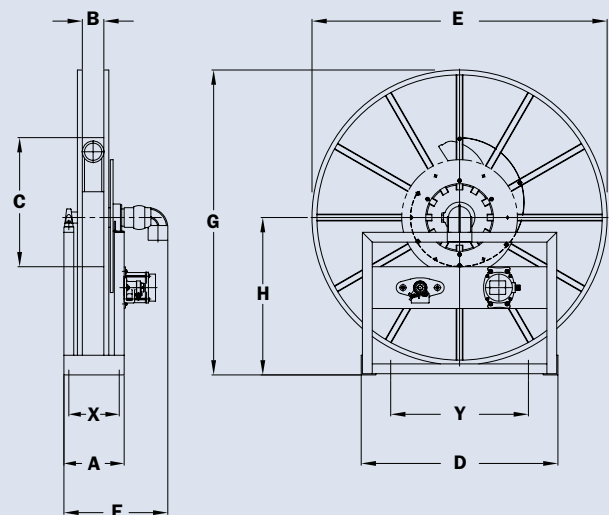


Standard configuration shown with Electric Rewind (EP) option (hose not included)

Model Number <small>For power rewind see Note 2</small>	Hose Capacity of Reel feet m				Approx. Weight lb. kg		Reel Dimensions*** In. mm									
	I.D. in. mm	2 51	3 76	4 102	NET	SHIP	A	B	C	D	E	F	G	H	X	Y
	O.D. in. mm	2.51 63.75	3.60 91.44	4.70 119.38												
<b>VAC-5319-56-58-30</b>	50	-	-	-	390	465	12.25	4.38	30	40	56	22	58	30	10.25	28
	15	-	-	-	177	211	311	111	762	1016	1422	559	1473	762	260	711
<b>VAC-5319-64-66-30</b>	75	-	-	-	410	485	12.25	4.38	30	40	64	22	66	34	10.25	28
	23	-	-	-	186	220	311	111	762	1016	1626	559	1676	864	260	711
<b>VAC-5319-70-72-30</b>	100	-	-	-	420	495	12.25	4.38	30	40	70	22	72	37	10.25	28
	30	-	-	-	191	225	311	111	762	1016	1778	559	1829	940	260	711
<b>VAC-5420-62-64-30</b>	-	50	-	-	415	490	13.50	5.63	30	40	62	25	64	33	11.50	28
	-	15	-	-	188	222	343	143	762	1016	1575	635	1626	838	292	711
<b>VAC-5420-74-76-30</b>	-	75	-	-	430	505	13.50	5.63	30	40	74	25	76	39	11.50	28
	-	23	-	-	195	229	343	143	762	1016	1880	635	1930	991	292	711
<b>VAC-5420-80-82-30</b>	-	100	-	-	438	513	13.50	5.63	30	40	80	25	82	42	11.50	28
	-	30	-	-	199	233	343	143	762	1016	2032	635	2083	1067	292	711
<b>VAC-5420-68-70-30</b>	-	-	50	-	422	497	13.50	5.63	30	40	68	25	70	36	11.50	28
	-	-	15	-	191	225	343	143	762	1016	1727	635	1778	914	292	711

**Notes:**

1. Specifications subject to change.
  2. When ordering power rewind models, prefix model number with:
    - A** = Air Rewind – Supplied with control valve and 18" air hose.
    - EP** = Electric Rewind (1/2 HP) – 12v and 24v DC rewind reels are supplied with switch and solenoid; 115v AC rewind reels are not supplied with switch but can be ordered separately.
    - HD** = Hydraulic Rewind – Not supplied with control valve.
  3. Clutch/reduction unit available upon request.
  4. **Finish:** Refer to page 27.
  5. **Be sure to check dimensions and weights prior to ordering.**
- NOTICE:** A flexible connector must be used between the inlet pipe and the inlet swivel joint.  
 \*\*\* X, Y indicate mounting holes which are 5/8" diameter.





**To handle 2" through 4" I.D. hose**

The VAC Series reel is designed to store and handle vacuum hose up to 4" ID. The VAC Series reel offers a variety of different mounting configurations depending on tank/truck size constraints, and provides effortless rewinding and storage of hose.

**Standard Features:**

- 2" channel frame construction for over-road durability.
- Spoked discs provide optimal combination of strength and weight savings.
- Smooth unwind/rewind operation with dual, sealed bearings.
- Manual rewind is standard.
- Positive engagement pin lock brake is standard.
- Easy access to hose from both sides of reel.

**Options:**

- Optional electric rewind (available in 12, 24 or 115V configurations) air or hydraulic.



Standard configuration shown  
with Electric Rewind (EP) option  
(hose not included)

**ORDERING INFORMATION:**

Contact Hannay Reels Inside Sales Department at: 877-467-3357 or email [reels@hannay.com](mailto:reels@hannay.com) for more information on options available. Be sure to provide detailed specifications on hose type, ID/OD, length, rewind preference and any other important specifications when ordering.

# Series **VAC-9000** | Multit-Wrap Reel

- Vacuum/Suction

## To handle 2" through 4" I.D. hose

- Heavy-duty reel for longer lengths and large diameters of vacuum hose through 4".
- Choose gear driven crank rewind or chain and sprocket drive powered by an electric, hydraulic or compressed air motor.
- Standard: 90° ball bearing swivel joint with female NPT threads.
- Standard fluid temperatures from -20° F to +212 °F (-29° C to +100° C). Optional temperature ratings available - consult factory.

### Multi-Wrap Configuration:

Use where single wrap reels are too large in diameter, or cabinet/mounting space dictates a wider/lower configuration or dimensional requirements. Requires guiding of hose for optimal hose capacity. Also for installations requiring longer lengths of hose.



Standard configuration shown  
with Electric Rewind (EP) option

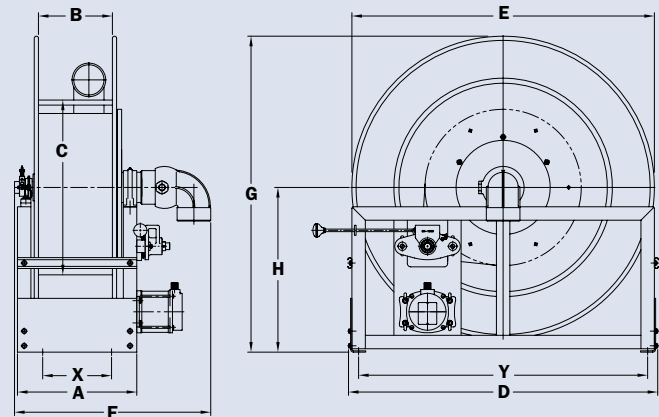
Mult-Wrap Reel | Series **VAC-9000**

• Vacuum/Suction

Model Number For power rewind see Note 3	Hose Capacity of Reel feet m				Approx. Weight lb. kg		Reel Dimensions*** in. mm									
	I.D. in. mm	2 51	3 76	4 102	NET	SHIP	A	B	C	D	E	F	G	H	X	Y
	O.D. in. mm	2.51 64	3.60 91	4.70 119												
VAC-9334-33-34-20	50	-	-	-	160	230	26.25	20	20	31.50	31.75	36.25	33.88	18	18.75	27.75
	15	-	-	-	73	104	667	508	508	800	806	921	861	457	476	705
VAC-9340-33-34-20	75	-	-	-	200	270	32.25	26	20	31.50	31.75	42.25	33.88	18	24.75	27.75
	23	-	-	-	91	122	819	660	508	800	806	1073	861	457	629	705
VAC-9344-33-34-20	100	-	-	-	225	295	35.75	29.50	20	31.50	31.75	46.75	33.88	18	28.25	27.75
	30	-	-	-	102	133	908	749	508	800	806	1187	861	457	718	705
VAC-9330-39-40-20	50	-	-	-	188	258	21.75	15.50	20	40	39	31.75	40.38	20.88	14.25	36.75
	15	-	-	-	85	117	552	394	58	1016	991	806	1026	530	362	933
VAC-9332-39-40-20	75	-	-	-	200	270	23.75	17.50	20	40	39	33.75	40.38	20.88	16.25	36.75
	23	-	-	-	91	122	603	445	508	1016	991	857	1026	530	413	933
VAC-9334-39-40-20	100	-	-	-	212	282	26.25	20	20	40	39	36.25	40.38	20.88	18.75	36.75
	30	-	-	-	96	128	667	508	508	1016	991	921	1026	530	476	933
VAC-9332-45-46-20	150	-	-	-	350	420	23.75	17.5	20	46	45	33.75	46.38	23.88	16.25	42.75
	46	-	-	-	159	191	306	445	508	1168	1143	857	1178	607	413	1086
VAC-9336-45-46-20	200	-	-	-	375	445	28.25	22	20	46	45	38.25	46.38	23.88	20.75	42.75
	61	-	-	-	170	202	718	559	508	1168	1143	972	1178	607	527	1086
VAC-9340-45-46-20	250	-	-	-	400	470	32.25	26	20	46	45	42.25	46.38	23.88	24.75	42.75
	76	-	-	-	181	213	819	660	508	1168	1143	1073	1178	607	629	1086
VAC-9344-45-46-20	300	-	-	-	425	495	35.75	29.50	20	46	45	45.75	46.38	23.88	28.25	42.75
	91	-	-	-	192	225	908	748	508	1168	1143	1162	1178	607	718	1086
VAC-9438-39-40-24	-	50	-	-	250	320	30.25	24	24	40	39	41.5	41	21.50	22.75	36.75
	-	15	-	-	113	145	768	61	610	1016	991	1054	1041	546	578	933
VAC-9444-39-40-24	-	75	-	-	280	350	35.75	29.50	24	40	39	47	41	21.50	28.25	36.75
	-	23	-	-	127	159	908	749	610	1016	991	1194	1041	546	718	933
VAC-9434-48-50-24	-	100	-	-	270	340	26.25	20	24	49	48	37.50	50.50	26.50	18.75	45.75
	-	30	-	-	122	154	667	508	610	1245	1219	953	1283	673	476	1162
VAC-9448-48-50-24	-	150	50	-	320	390	40.25	34	24	49	48	51.50	50.50	26.50	32.75	45.75
	-	46	15	-	145	177	1022	864	610	1245	1219	1308	1283	673	832	1162
VAC-9444-56-58-24	-	200	75	-	375	445	35.75	29.50	24	57	56	47	58	30	28.25	53.75
	-	61	23	-	170	202	908	749	610	1448	1422	1194	1473	762	718	1264
VAC-9450-56-58-24	-	250	100	-	411	481	42.25	36	24	57	56	53.50	58	30	34.75	53.75
	-	76	30	-	186	218	1073	914	610	1448	1422	1359	1473	762	883	1264
VAC-9456-56-58-24	-	300	150	-	447	517	48.25	42	24	57	56	60.50	58	30	40.75	53.75
	-	91	46	-	203	235	1226	1066	610	1448	1422	1537	1473	762	1035	1264

**Notes:**

- Specifications subject to change.
  - Upon request, reels can be supplied with drum lengths other than shown and with disc sizes in other diameters.
  - When ordering power rewind models, prefix model number with:  
**A** = Air Rewind – Supplied with control valve and 18" air hose.  
**EP** = Electric Rewind (1/2 HP) – 12v and 24v DC rewind reels are supplied with switch and solenoid; 115v AC rewind reels are not supplied with switch but can be ordered separately.  
**HD** = Hydraulic Rewind – Not supplied with control valve.
  - Clutch/reduction unit available upon request.
  - Finish:** Refer to page 27.
  - Be sure to check dimensions and weights prior to ordering.**
- NOTICE:** A flexible connector must be used between the inlet pipe and the inlet swivel joint.  
 \*\*\*X, Y indicate mounting holes. See page 2.





# Accessories

- Utility Hose Rollers • Hose Guides • Hose Stops

## HG-15 hose guide for small frame models.

- Available for our 1500 and 1600 Series reels.
- Simple design to rewind hose evenly and neatly every time.
- No need to handle a dirty or contaminated hose.
- Powder coated bracket, stainless steel guide rods and nylon rollers assure long service life.
- Designed for aftermarket installation.

### Hose Guide Kit – HGK-15 Hannay

Part No. 9956.2200

Kit includes HG-15 Hose Guide, handle grip, 2 stainless steel guide rods, 4 mounting blocks, steel mounting bracket set, and all mounting hardware.

### Hose Guide – HG-15 Hannay

Part No. 9956.2000

Assembled black powder coated hose guide and handle grip. You must specify reel model when ordering.



Shown installed on E1500 Series Reel



Back view of HG-15

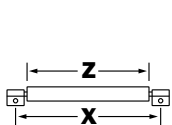
## Utility Hose Rollers

Stainless steel rollers and cast alloy brackets for use on the reel, on cabinet door openings, truck platforms and similar locations where sharp edges may cut or damage hose/cable.

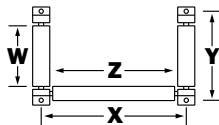
Specifications: 1-1/2" diameter stainless steel roller, stainless steel rod, Delrin bearings, alloy brackets and required fasteners.

**To Order:** specify Assembly A, B, or C, and give distance between each pair of mounting holes (Dimensions X and Y) and length of each roller (Dimensions W and Z). W=Vertical Roller Length, Z=Horizontal Roller Length.

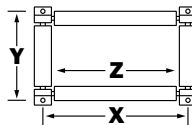
**Also available factory installed on the reel.**



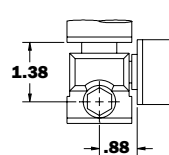
Assembly A/A2



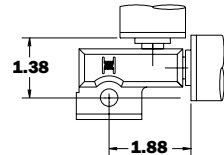
Assembly B/B2



Assembly C/C2



Assembly C



Assembly C2

## Hose Stops

Necessary with spring rewind reels and 4-way roller assemblies.

**To Order:** specify the outside diameter (O.D.) of your hose.

**Also available factory installed on the reel.**



HS-35



HS-45

# Series **H16-14-16**

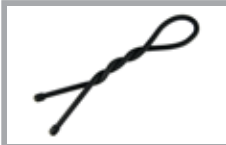
- Pipe/Drain Cleaning • High Pressure
- For Residential and Light Commercial Use

**To handle 1/4" I.D. hose.**

- All steel construction.
- Quality swivel joint.
- Tension brake.
- Equipped with one durable rubber twist tie for cable ends.
- Manual rewind.
- Standard pressure 5000 psi (345 bar).
- Standard fluid temperatures from -40° F to +250 °F (-40° C to +121° C). Optional temperature ratings available - consult factory.



Standard configuration shown



**H16-14-16 Series includes one durable rubber twist tie for cable ends.**

Part No. 9949.0082

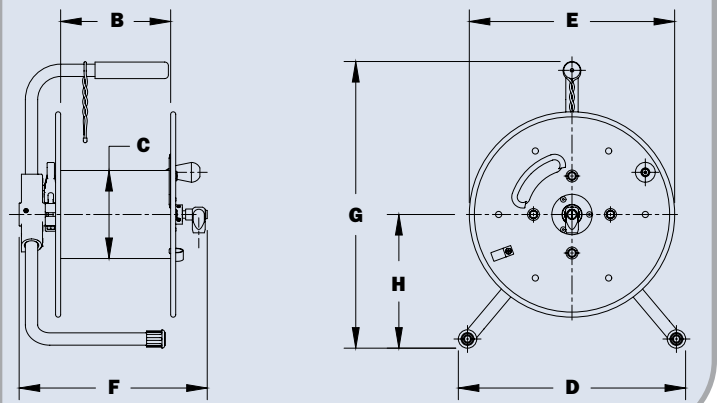
**PARTS DRAWING – ISO 235**

Model Number	Hose Capacity of Reel feet m			Approx. Weight lb. kg		Reel Dimensions in. mm						
	I.D. in. mm	1/4 6	3/8 10	NET	SHIP	B	C	D	E	F	G	H
	O.D. in. mm	5/8 16	x/x xx									
<b>H16-14-16</b>		<b>150</b>	–	<b>18</b>	<b>23*</b>	<b>7.5</b>	<b>6</b>	<b>15.50</b>	<b>14</b>	<b>13</b>	<b>19.50</b>	<b>9.13</b>
		46	–	8	10	191	152	394	356	330	495	232
<b>H16-14-16</b>		–	<b>100</b>	<b>18</b>	<b>23*</b>	<b>7.5</b>	<b>6</b>	<b>15.50</b>	<b>14</b>	<b>14</b>	<b>19.50</b>	<b>9.13</b>
		–	30	8	10	191	152	394	356	356	495	232

**Notes:**

1. Specifications subject to change.
2. **Finish:** Refer to page 27.
3. **Be sure to check dimensions and weights prior to ordering.**

\* Dimensional weight may apply when shipped as a parcel package (via FedEx or UPS Ground).



# Series **1100/AT1200**

- Grounds Maintenance • Restaurants/Hotels
- Washdown Operations • Home Use

**To handle 3/8" through 1" I.D. hose.**

- Continuous flow reels with swivel joint inlet, fluid hub, outlet riser.
- Direct crank rewind and cam-lock drag brake.
- One-piece foot and removable steel handlebar.
- **GH** prefix to model number (e.g., GH1100, GHAT1200) includes garden hose thread on outlet, 5' lead-in hose, hose end clips.

**Model 1100**

- Standard inlet: 90° ball bearing swivel joint, 1/2" female NPT threads.
- Standard outlet: 1/2" female NPT threads.
- Pressures to 3000 psi (207 bar).
- Standard fluid temperatures from +32° F to +400 °F (0° C to +204° C). Optional temperature ratings available - consult factory.
- Rubber tires standard. Oversized pneumatic tires available specify "AT" in model number when ordering.

**Model 1200**

- Standard inlet: 90° balance pressure swivel joint, 1" female NPT threads.
- Standard outlet: 1" female NPT threads.
- Standard pressures to 2000 psi (138 bar), available up to 4000 psi (276 bar) – must specify.
- Standard fluid temperatures from -40° F to +250 °F (-40° C to +121° C). Optional temperature ratings available - consult factory.
- Pneumatic tires standard.



**Model 1100**  
Standard configuration shown



**Model AT1200**  
Standard configuration shown

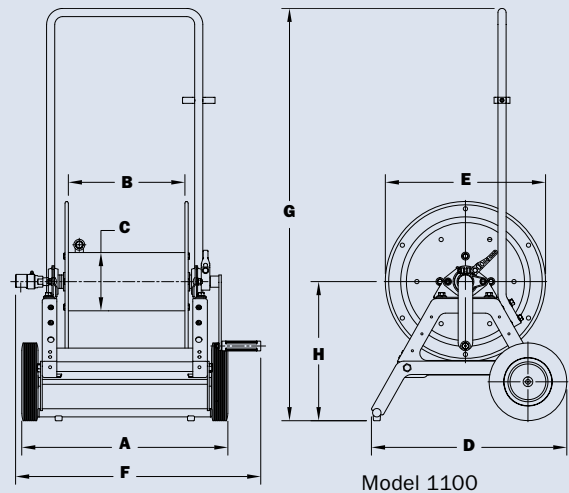
**PARTS DRAWING – 1100–ISO 48; AT1200–ISO 87**

Model Number	Hose Capacity of Reel feet m						Approx. Weight lb. kg		Reel Dimensions In. mm							
	I.D. in. mm	3/8 10	1/2 13	5/8 16	3/4 19	1 25	NET	SHIP	A	B	C	D	E	F	G	H
	O.D. in. mm	3/4 19	7/8 22	1 25	1-9/32 33	1-9/16 40										
<b>1100</b>		<b>275</b>	<b>175</b>	<b>125</b>	-	-	<b>47</b>	<b>100*</b>	<b>21.25</b>	<b>12</b>	<b>6</b>	<b>20.12</b>	<b>16.5</b>	<b>25.25</b>	<b>42.5</b>	<b>14.38</b>
		84	53	38	-	-	21	46	540	305	152	511	419	641	1080	365
<b>AT1200</b>		-	<b>350</b>	<b>250</b>	<b>150</b>	<b>100</b>	<b>86</b>	<b>147*</b>	<b>25.88</b>	<b>11.5</b>	<b>8</b>	<b>22.62</b>	<b>22.75</b>	<b>27</b>	<b>42.5</b>	<b>18.12</b>
		-	107	76	46	30	39	67	657	292	203	575	578	686	1080	460

**Notes:**

1. Specifications subject to change.
2. Some assembly required.
3. **Finish:** Refer to page 27.
4. **Be sure to check dimensions and weights prior to ordering.**

\*Dimensional weight applies when shipped as a parcel package (via FedEx or UPS Ground).



Model 1100



# Series AT1300

• Video Pipeline Inspection • Power Supply

**To handle live electric cable.**

- Direct crank rewind reel.
- Adjustable cam-lock drag brake.
- 3-conductor, 45-amp collector ring is standard.
- 6-foot power source lead of 10/3 cable.
- 15 amp, 3-prong straight blade (twist lock optional).
- Additional conductors available, consult factory.
- Direct offset rewind crank.
- Folding handle available for compact storage.



**Optional Folding Handle**  
For compact storage



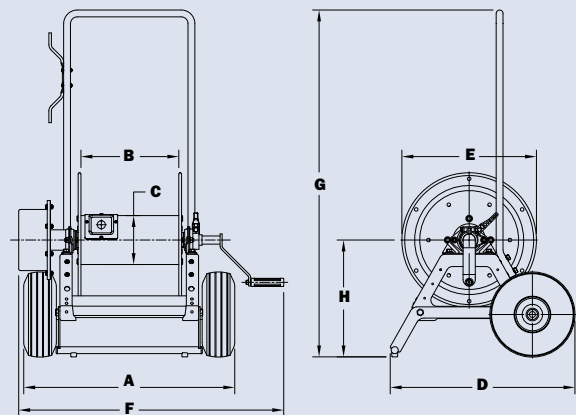
Standard configuration shown

**PARTS DRAWING – ISO 189**

Model Number	Cable Capacity of Reel feet m				Approx. Weight lb. kg		Reel Dimensions in. mm							
	O.D. in. mm	Gauge/Number of Conductors			NET	SHIP	A	B	C	D	E	F	G	H
		14/3	12/3	10/3										
<b>AT1300</b>	<b>500</b>	<b>400</b>	<b>300</b>	<b>70</b>	<b>102</b>	<b>25.88</b>	<b>12</b>	<b>6</b>	<b>22.62</b>	<b>16.5</b>	<b>32.5</b>	<b>42.5</b>	<b>14.38</b>	
	152	122	91	32	46	657	305	152	575	419	825	1080	365	

**Notes:**

1. Specifications subject to change.
2. **Finish:** Refer to page 27.
3. **Be sure to check dimensions and weights prior to ordering.**



## Series CR

• Pipeline Inspection • Sensor Cable • Power Supply

### To handle live electric cable.

- 3-conductor, 45-amp, 600-volt collector assembly with #8 gauge wiring.
- Double brushes per circuit. Brushes are copper graphite, copper alloy rings.
- Additional conductors or higher amperage (up to 100 amps) are available at extra cost, must be specified. (300 amps possible with custom design.)
- Silver collector assemblies are available.
- Rollers and roller mounting brackets are accessory items. Specify roller position.

#### Series CR1600

- Removable direct crank rewind.
- Adjustable cam-lock drag brake.

#### Series ECR1600

- Optional strap brake is available.
- Some roller options may prohibit the use of our molded chain guard.

#### Series CR6600

- Gear-driven crank rewind.

#### Series ECR6600

- Chain and sprocket drive powered by electric, compressed air or hydraulic motor.
- Auxiliary rewind and pinion brake standard.
- Consult factory for other brakes.
- Optional chain guards are available upon request.



**Series CR1600–Manual Rewind**  
Standard configuration shown



**Series ECR1600–Electric Rewind (E)**  
Standard configuration shown



**Series ECR6600–Electric Rewind (E)**  
Optional left top configuration shown



#### Optional External Mounting Brackets

Part No. 9906.0025.  
Available for CR1600 and ECR1600 models.

# Series CR

• Pipeline Inspection • Sensor Cable • Power Supply

**PARTS DRAWING: SERIES CR1600 – ISO 76, SERIES CR6600 – ISO 45**

Model Number <small>For power rewind see Note 5</small>	Cable Capacity of Reel feet m					Approx. Weight Crank Rewind lb. kg		Reel Dimensions*** in. mm												
	O.D. in. O.D. mm	Ga./No. of Conductors					NET	SHIP	A	B	C	D	E CRANK	E POWER	F CRANK	F POWER	G	H	X	Y
		12/3	10/3	8/3	12/4	10/4														
CR1614-17-18	175	100	-	100	100	30	68*	11	6	6	14.12	16.5	19	23	16.75	18.12	9.88	9.5	10	
	53	30	-	30	30	14	31	279	152	152	359	419	483	584	425	460	251	241	254	
CR1616-17-18	200	150	-	150	150	32	68*	13	8	6	14.12	16.5	19	25	18.75	18.12	9.88	11.5	10	
	61	46	-	46	46	15	31	330	203	152	359	419	483	635	476	460	251	292	254	
CR1618-17-18	275	200	-	200	200	33	80*	15	10	6	14.12	16.5	19	27	20.75	18.12	9.88	13.5	10	
	84	61	-	61	61	15	36	381	254	152	359	419	483	686	527	460	251	343	254	
CR1620-17-18	350	250	-	250	225	34	80*	17	12	6	14.12	16.5	19	29	22.75	18.12	9.88	15.5	10	
	107	76	-	76	69	15	36	432	305	152	359	419	483	737	578	460	251	394	254	
CR6614-19-20-10.5	150	100	-	-	-	113	148	11	5.5	10.5	20.5	22	22	16	16	21.5	12.12	5.75	16.75	
	46	30	-	-	-	51	67	279	140	267	521	559	559	406	406	546	308	146	425	
CR6614-23-24-10.5	300	225	175	-	-	120	155	11	5.5	10.5	20.5	23	23	16	16	23.5	12.12	5.75	16.75	
	91	69	53	-	-	54	70	279	140	267	521	584	584	406	406	597	308	146	425	
CR6614-25-26-10.5	350	250	200	-	-	133	168	11	5.5	10.5	25.5	24.75	24.75	16	16	27.88	15.5	5.75	21.75	
	107	76	61	-	-	60	76	279	140	267	648	629	629	406	406	708	394	146	552	

**Notes:**

- Specifications subject to change.
- Upon request, reels can be supplied with drum lengths other than shown and with disc sizes in other diameters.
- Dimensions reflect pressed frames.
- Weights shown in chart are for crank rewind models. Add these amounts for power rewind models:

Series CR1600	Net lbs/kg	Ship lbs/kg
Electric	18/8.2	18/8.2
Hydraulic	15/6.8	15/6.8
Air	15/6.8	15/6.8

Series CR6600	Net lbs/kg	Ship lbs/kg
Electric (1/3 HP)	18/8.2	18/8.2
Electric (1/2 HP)	40/18.1	40/18.1
Hydraulic	20/9.1	20/9.1
Air	20/9.1	20/9.1

- When ordering power rewind models, prefix model number with:  
**A** = Air Rewind  
**E** = Electric Rewind  
 (Series CR1600 & CR6600)  
**EP** = Electric Rewind (Series CR6600)  
**HD** = Hydraulic Rewind

(Air rewind reels are supplied with control valve and 18" air hose; 12v and 24v DC rewind reels are supplied with switch and solenoid; 115v AC rewind reels are not supplied with switch but can be ordered separately; hydraulic rewind reels are not supplied with control valve.)

- Add 2-1/8" to "A" dimension when using external mounting brackets on CR1600, ECR1600 Series reels.

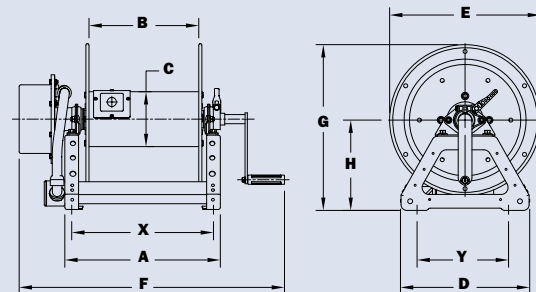
- When ordering reels with a 4 conductor, add 2" to "F" dimensions.

- Finish:** Refer to page 27.

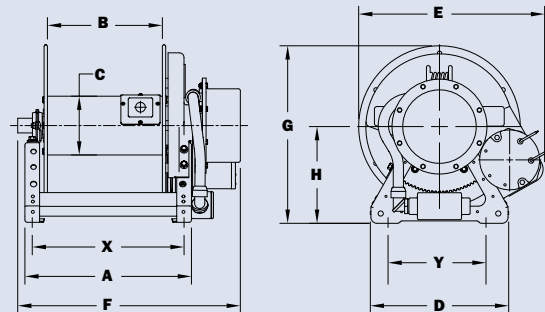
- Be sure to check dimensions and weights prior to ordering.**

\* Dimensional weight applies when shipped as a parcel package (via FedEx or UPS Ground).

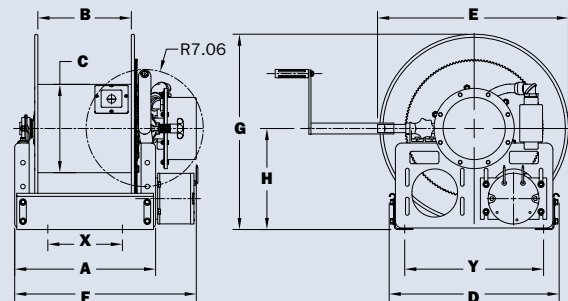
\*\*\*X, Y indicate mounting holes. See page 2.



Series CR1600 (manual rewind)



Series ECR1600 (power rewind)



Series CR6600 (power rewind)

# Static Grounding Reels

- Rescue and HazMat Operations • Aircraft Refueling
- Chemical Plants • Grain Elevators

## WARNING

These reels are for static grounding ONLY. NOT intended for lightning protection!

### For refueling or hazardous areas.

- These reels bond and/or ground aircraft, fuel trucks, and other equipment.
- Provide smooth operation and require minimum cable pull.
- Declutching arbor and adjustable guide arm with cable guide.
- Optional stainless steel construction of spool, frame, and ratchet system available on HGR Series.
- Standard finish is oven-cured enamel.
- Also available, manual rewind version. All shown with optional cable and/or "Y" branch.



**Model HGR50**  
(Shown with optional "Y" branch)



**Model SSHGR50**  
(Optional unpolished stainless steel HGR50)



**Model MHGR50**



**Model HGR100**



**Model MHGR100**



**Model GR75**



**Model MGR75**



# Series GR/HGR

- Available with 1/8", 7 x 19 galvanized carbon steel cable.
- 100 amp alligator clamp.
- Stainless steel or plastic-covered cable and "Y" branches are available at an additional charge.
- Cable guide arm of cast aluminum and ZA-12 aluminum zinc alloy.

### Series GR75

- Sealed spring is a good economical choice that's compact and lightweight.

### Series HGR

- A non-sparking ratchet assembly.
- Reels are repairable and parts are readily available.
- Supplied with 18" long grounding strap with eyelet connectors on both ends.

### Parts Drawings: HGR Series – ISO 10 and MHGR Series – ISO 234

Model Number	Cable Capacity of Reel feet m	Approx. Weight lb. kg		Reel Dimensions*** in. mm									
		Without Cable	With Cable	A	B	C	D	E	F	G	H	X	Y
<b>GR75</b>	<b>75</b>	<b>11</b>	<b>14*</b>	<b>2</b>	<b>2</b>	<b>7</b>	<b>9</b>	<b>9.25</b>	<b>3.5</b>	<b>9.88</b>	<b>5.06</b>	<b>1</b>	<b>7.88</b>
	23	5	6	51	51	178	229	235	89	251	129	25	200
† <b>MGR75</b>	<b>75†</b>	<b>11</b>	<b>13*</b>	<b>2</b>	<b>2</b>	<b>7</b>	<b>9</b>	<b>9.25</b>	<b>5.25</b>	<b>9.88</b>	<b>5.06</b>	<b>1</b>	<b>7.88</b>
	23†	5	6	51	51	178	229	235	133	251	129	25	200
<b>HGR50</b>	<b>75</b>	<b>28</b>	<b>30*</b>	<b>4</b>	<b>1.25</b>	<b>10.75</b>	<b>11.5</b>	<b>14.25</b>	<b>5.5</b>	<b>16.75</b>	<b>8.88</b>	<b>2.38</b>	<b>7.5</b>
	23	13	14	102	32	273	292	362	159	425	226	60	191
† <b>MHGR50</b>	<b>125†</b>	<b>19</b>	<b>23*</b>	<b>4</b>	<b>1.25</b>	<b>10.75</b>	<b>11.5</b>	<b>14.25</b>	<b>6.25</b>	<b>16.75</b>	<b>8.88</b>	<b>2.38</b>	<b>7.5</b>
	38†	9	10	102	32	273	292	362	159	425	226	60	191
<b>HGR100</b>	<b>100</b>	<b>37</b>	<b>41*</b>	<b>4</b>	<b>1.25</b>	<b>13.25</b>	<b>11.5</b>	<b>16.75</b>	<b>5.5</b>	<b>17.75</b>	<b>8.88</b>	<b>2.38</b>	<b>7.5</b>
	30	17	19	102	32	337	292	425	140	451	226	60	191
† <b>MHGR100</b>	<b>175†</b>	<b>25</b>	<b>31*</b>	<b>4</b>	<b>1.25</b>	<b>13.25</b>	<b>11.5</b>	<b>16.75</b>	<b>6.25</b>	<b>17.75</b>	<b>8.88</b>	<b>2.38</b>	<b>7.5</b>
	53†	11	14	102	32	337	292	425	159	451	226	60	191

**Optional GTP Gator® Clamp**  
(GTP-9654)  
Part No. 9951.0032



**Optional Browne Clamp**  
(ALS-10)  
Part No. 9951.0031

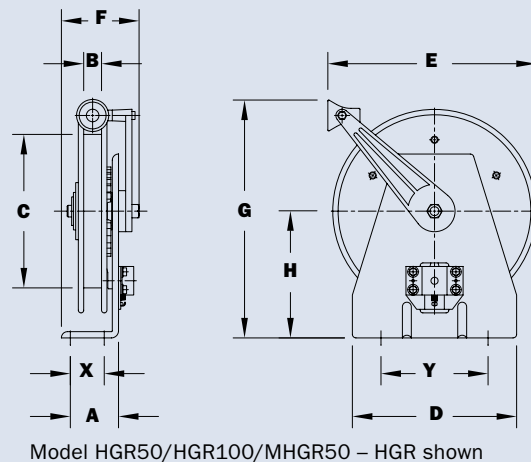
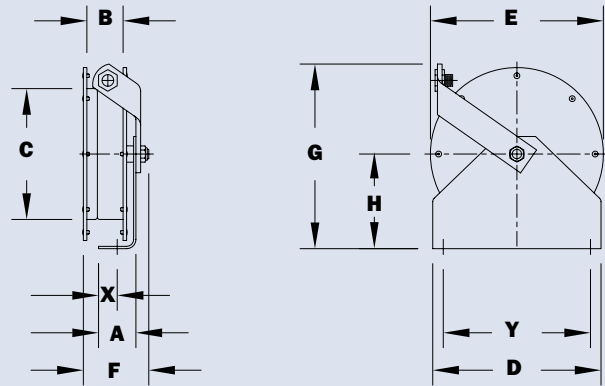


**Optional Grounding Jack**  
per MIL-C-8341D/4  
Part No. 9951.0033



**Notes:**

1. Specifications subject to change.
  2. When ordering, specify model number, gauge, O.D., length, and coating if required.
  3. Specify "Y" branch if required.
  4. **Finish:** Refer to page 2.
- \*Reels can be shipped as a parcel package (via FedEx or UPS Ground).  
\*\*\* X, Y indicate mounting holes. See page 2.  
† Capacities shown are for PCC (plastic coated cable). Capacities may be higher for uncoated cable; consult factory.



# Hannay Reels **Spec Worksheet**

To specify Hannay reels, fill out this simple form and mail, fax or email it to your dealer.  
Photocopy this page or download and print from [hannay.com](http://hannay.com)

1. Who is the reel for?				
Contact			Date / /	
Company		Position		
Street Address				
City		State	Zip	Country
Phone ( )		Fax ( )	Email	

2. What is the reel for?			
<input type="checkbox"/> <b>HOSE</b> (check one): <input type="radio"/> Storage only <input type="radio"/> Live Single hose <input type="radio"/> Live Dual hose			
Inside diameter:	Hose length:	Bend radius:	Flat hose dimensions:
Outside diameter:	Hose weight:	Coupling spacing:	
<b>Type of product handled live application: (check one):</b>			
<input type="radio"/> Liquid (specify):	<input type="radio"/> Temperature:	<input type="radio"/> Oxygen/Acetylene:	<input type="radio"/> Other (specify):
<input type="radio"/> Gases (specify):	<input type="radio"/> Pressure:	<input type="radio"/> Hydraulic fluid (specify):	
<b>Fluid path type: (check one):</b> <input type="radio"/> Steel (standard) <input type="radio"/> Aluminum <input type="radio"/> Stainless Steel <input type="radio"/> Other			
<b>Reel inlet type: (check one):</b> <input type="radio"/> Swivel joint 90° (standard) <input type="radio"/> Straight			
<b>Reel outlet type (riser):</b> Size:			
<b>Thread (check one):</b>	<input type="radio"/> National Pipe Thread (NPT)	<input type="radio"/> Joint Industry Committee (JIC)	<input type="radio"/> Other
	<input type="radio"/> National Standard Thread (NST)	<input type="radio"/> British Standard Pipe (BSP)	

Indicate your custom specifications

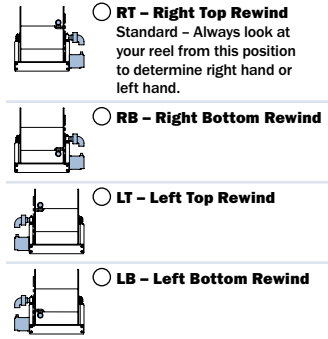
CABLE (check one): <input type="radio"/> Live* <input type="radio"/> Storage only		
*Number of conductors, or wire gauge, required:		
*Number of connectors:	Cable weight:	Cable length:
*Voltage:	Outside diameter:	
*Amperage (live application only):	Bend radius:	

Indicate your custom specifications

3. What features does the reel need? Check type of rewind:			
<input type="checkbox"/> <b>MANUAL REWIND</b>			
<input type="radio"/> Disc rewind (hand over hand)	<input type="radio"/> Gear-driven crank	<input type="radio"/> Direct crank (permanent or removable)	<input type="radio"/> Chain-driven crank
<input type="checkbox"/> <b>POWER REWIND</b>			
<input type="radio"/> Spring	<input type="radio"/> Air	<input type="radio"/> Electric (voltage):	<input type="radio"/> Hydraulic
<b>Type of installation (check one):</b> <input type="radio"/> Floor <input type="radio"/> Wall <input type="radio"/> Overhead <input type="radio"/> Vehicle			
Temperature Range:		Environment:	
Accessories (if any):		Hose/Cable Stop: <input type="radio"/> Yes <input type="radio"/> No	
Roller Assemblies:			
<b>Finish:</b> <input type="radio"/> Painted steel (standard) <input type="radio"/> Aluminum <input type="checkbox"/> Polished <input type="checkbox"/> Unpolished <input type="radio"/> Stainless steel <input type="checkbox"/> Polished <input type="checkbox"/> Unpolished			

### 4. Specifying Location of Components

**Optional Location of Components:**  
Location of the inlet, outlet riser, and rewind mechanism can be varied to meet your requirements and must be specified on your order. Unless otherwise specified, most reels will be shipped as **Right Top Rewind** with the inlet, outlet riser, and rewind mechanism on the operator's right.



Note: Use component location initials as suffix after model number (ie: HD6024-23-24 RT)

**Check type of installation and roller position for spring reels:**

Drag Position SR  Lift Position VR  Stretch (no roller) Position TR  Wall Mount Position TR  Recovery (pick-up) (no roller)

Constant tension available on all roller positions

### 5. Please note size and/or weight limitations for your installation

**SPECIFICATIONS**

Depth: \_\_\_\_\_

Height: \_\_\_\_\_

Width: \_\_\_\_\_

Weight: \_\_\_\_\_

**For custom applications not found in our catalogs, call the Inside Sales Group at 518-797-3791.**

# Hannay Reels Sales Policies

## Hannay Reels 3-Year Limited Warranty

Products manufactured by Hannay Reels, Inc. ("Hannay") are warranted for 3 years from date of shipment when properly installed, maintained, and operated in accordance with Hannay instructions. In no event will Hannay have a warranty obligation for normal wear and tear, or for products that have, at Hannay's determination, been subjected to accident, abuse, misapplication, improper installation or improper maintenance. Common examples of normal wear and tear would include paint finish, swivel joint seal wear, and switch or motor brush wear.

Hannay makes no warranties, express or implied, other than those included in this warranty statement, and we disclaim any implied warrant of merchantability or fitness for any particular purpose. Hannay will not be liable for any consequential, incidental, or indirect damages from any cause whatsoever.

Failure to use a flexible inlet connection on any live hose reel will void the swivel joint warranty. Failure to use a properly sized circuit breaker with any electric rewind motor will void the electric motor warranty. Failure to use a filter and lubricator on any air rewind motor will void the air motor warranty. Failure to follow all procedures outlined in the Safety Guidelines document will void the warranty.

Components not manufactured by Hannay will be subject to the original manufacturers' warranties. Examples of such components include: hose and cable, motors, speed controls, and switches, swivel joints and seals, slip ring and brush assemblies.

Equipment which proves to be defective upon our inspection will be replaced free of charge, including freight to the customer. Our responsibility ceases upon delivery to any common carrier and we do not, unless previously instructed, insure shipments beyond point of delivery to such carrier. **No material will be accepted for return without a return goods authorization (RGA).** This warranty extends to the replacement or repair of the reel or part (no labor).

Hannay reserves the right to modify or alter materials, dimensions, design, and construction when necessary to improve the performance of the reel and/or accessories, or to meet delivery requirements.

## Notice on Reel Finish

Standard finish on Hannay reels is a high performance enamel paint. Standard color is metallic graphite. Other colors available, please consult factory.

Most of the major components on standard reels are e-coated prior to receiving final topcoat paint finish. This combination of e-coat and enamel topcoat will meet the finish requirements of most customer applications and environments.

In cases where requirements cannot be met with the standard finish, Hannay Reels can coat any model reel with an automotive primer, allowing application of final coating at your facility.

Alternatively, Hannay Reels can provide a quote for matching a customer-provided paint specification. For further information, please contact your Hannay Reels sales engineer and a special paint request form will be sent to you.

For environments where no paint finish is suitable, we offer both aluminum and stainless steel (304 grade) construction on most reel models.

## Return Goods Policy

All Hannay reels are built to order. These orders are typically placed into production within 1 business day of receipt. Once production begins, it may not be possible to cancel the order.

To prevent returns because the wrong reels or parts were ordered, please use the Hannay Reels Spec Worksheet (either online or from our Ordering & Accessory Guide) when specifying reels. Be sure to include any size, weight, pressure and/or material compatibility limitations for the application.

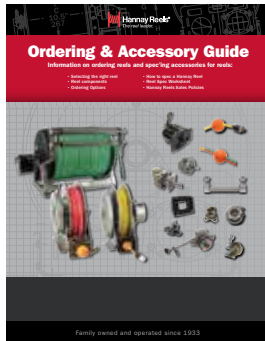
**In the event that an item does need to be returned for credit, repair or replacement, prior approval must be obtained from Hannay Reels.** Upon your request, we will send a Return Goods

Authorization (RGA) form. A signed copy of this form must accompany the material when returned to us, with the RGA number clearly showing on the outside of the box—a label is provided to you that you can print and attach. No product will be accepted for return or credit without an authorized RGA number.

All material must be returned prepaid, unless otherwise noted on our RGA. No return will be accepted that has been damaged due to improper return packaging, tampered with or altered from its original condition. Our restocking and handling fee is a minimum of 25% for standard catalog reels and parts. Custom reels specially built to customer specifications cannot be returned for any reason.

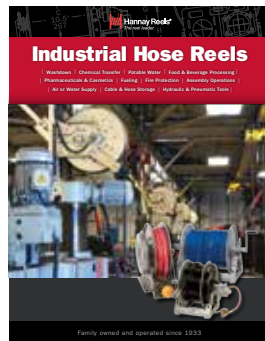
# Find reels for every need.

Learn more about all of our reels, including specs, drawings, and even how to select the right reels and accessories for your industry.



## Ordering & Accessory Guide

- Selecting the right reel
- Reel components
- Available accessories
- How to spec and order reels and accessories
- Ordering options
- Hannay Reels policies



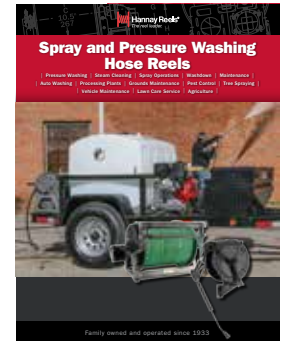
## Industrial Hose Reels

- High pressure/low pressure reels
- Air/Lube/Grease reels
- Fueling
- Washdown/Power Wash
- Industrial Fire Protection
- Hydraulic/Pneumatic applications
- Hose storage



## Cable Reels

- Electric Tools
- Crane operations
- Portable Lighting
- Portable live and storage reels
- Video/Broadcast
- Static and Utility grounding reels



## Spray and Pressure Washing Hose Reels

- Washdown/Power Wash
- Pest Control/Fertilizers
- Air/Water/Grease
- Steam Cleaning
- Spray operations
- Portable hose reels

View all our reel catalogs online at [hannay.com](http://hannay.com)



Family owned and operated since 1933, Hannay Reels is the world leader in both OEM and aftermarket applications. Hannay offers thousands of standard hose reel and cable reel models, as well as unmatched custom capabilities. We can easily and affordably customize a reel to meet your exact specifications – built to last, delivered fast. Additional catalogs are available through your local Hannay Reels dealer or online at [hannay.com](http://hannay.com).



553 State Route 143 | Westerlo, New York 12193  
Email: [reels@hannay.com](mailto:reels@hannay.com) | [hannay.com](http://hannay.com)



All Hannay reels are constructed of quality heavy gauge steel (optional aluminum or stainless steel also available on most models).

