

# Reel Product News

## Hannay Offers Industrial Vacuum Reel Options

Four new series of industrial strength reels are now available. The VAC4000, VAC900, VACN900 & VAC2900 are designed specifically for shop vacuum applications, car detailing operations and dust/debris collection.

These reels handle up to 50' of 1-1/2" or 2" ID vacuum hose, are constructed of heavy-duty steel and available in manual or spring return to automatically rewind hose.

**NOTE: These reels are NOT for solid or liquid suction. Please refer to our Pumper Cleaner catalog for vacuum reel options with solid or liquid applications.**



**VAC4000 Series**

Standard configuration shown (hose not included).

### VAC4000 Standard Features:

- To handle 1-1/2" ID industrial vacuum hose.  
**NOTE:** Standard inlet/outlet are slip fit connections, not threaded connections.
- Internal hub connection to fit hose cuff.
- Includes permanently attached crank handle and cam-lock drag brake.
- Rollformed channel frame for heavy duty applications.

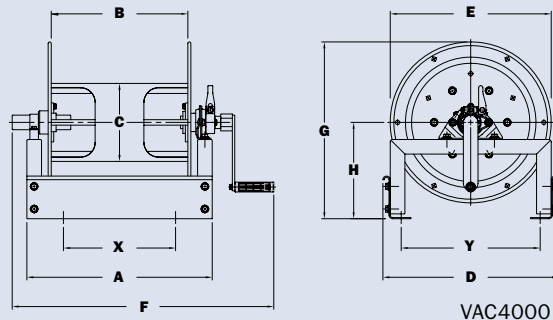
Model Number	Hose Capacity of Reel		Approx. Weight			Reel Dimensions***									
	feet m		lb. kg			in. mm									
	I.D. in. mm	1-1/2 38	NET	UPS/ FedEx SHIP Wt.	Freight SHIP Wt.	A	B	C	D	E	F	G	H	X	Y
VAC4020-17-18-8	25	38				82	73	17	12	8	18	16.50	24.88	18.13	9.88
	8	17	37	33	431	305	203	457	419	632	460	251	241	362	
VAC4024-17-18-8	35	42	94	77	21	16	8	18	16.50	28.88	18.13	9.88	13.50	14.25	
	11	19	43	35	533	406	203	457	419	734	460	251	343	362	
VAC4028-17-18-8	50	46	98	81	25	20	8	18	16.50	32.88	18.13	9.88	17.50	14.25	
	15	21	45	37	635	508	203	457	419	835	460	251	445	362	

#### Notes:

1. Specifications subject to change.
2. Upon request, reels can be supplied with drum lengths other than shown.
3. Dimension "F" is the overall length of standard model reels.
4. **Be sure to check dimensions and weights prior to ordering.**

\* Dimensional weight applies when shipped as a parcel package (via FedEx or UPS Ground).

\*\*\* X, Y indicate mounting holes. (Also applies for external mounting brackets.)



See reverse for additional reel models. ▶

# Reel Product News

## VACN900 Standard Features:

- To handle 1-1/2" ID industrial vacuum hose.  
**NOTE:** Standard inlet/outlet are slip fit connections, not threaded connections.
- N-series has a narrow frame and compact mounting base, allows for different mounting options: floor, ceiling or wall.
- Non-sparking ratchet assembly locks hose at different payout lengths and 4-way roller assembly to guide hose.

## VAC900/VAC2900 Standard Features:

- VAC900: to handle 1-1/2" ID vacuum hose.  
VAC2900: to handle 2" ID vacuum hose.  
**NOTE:** Standard inlet/outlet are slip fit connections, not threaded connections.
- Roll-formed channel frame for heavy-duty applications, allows different mounting options: floor, ceiling or wall.
- Non-sparking ratchet assembly locks hose at different payout lengths and 4-way roller assembly to guide hose.



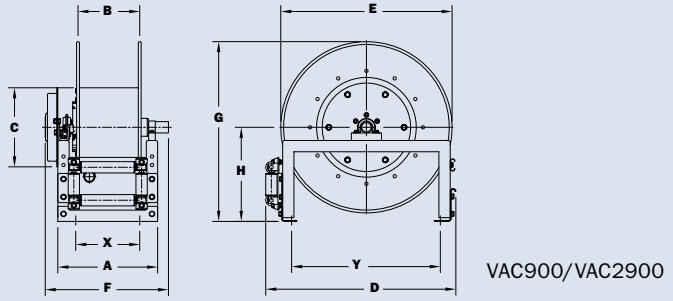
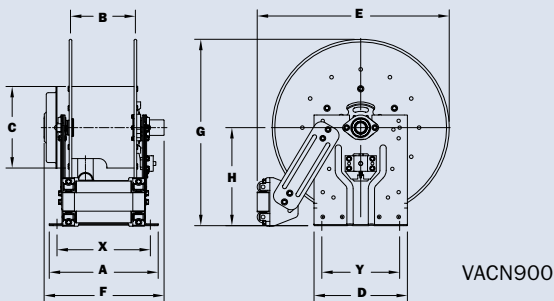
◀ **VACN900 Series**  
Standard SR configuration shown  
(hose not included)



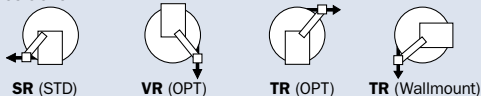
**VAC900 Series** ▶  
Optional TR configuration shown  
(hose not included)

**NOTE:** These reels are NOT for solid or liquid suction. Please refer to our Pumper Cleaner catalog for vacuum reel options with solid or liquid applications.

Model Number	Hose Capacity of Reel feet m			Approx. Weight lb. kg		Standard Roller Assy.	Reel Dimensions*** in. mm								
	I.D. in. mm	1-1/2 38	2 51	NET	SHIP		A	B	D	E	F	G	H	X	Y
	O.D. in. mm	1.84 47	2.34 59												
VACN918-23-24-10.5L	25	-	60	95	N306	12	6	12	24	13.25	24	12.63	10	10	
	8	-	27	43		305	152	305	610	337	610	320	254	254	
VACN920-23-24-10.5L	35	-	62	97	N308	14	8	12	24	15.25	24	12.63	12	10	
	11	-	28	44		356	203	305	610	387	610	320	305	254	
VAC920-28-29-10.5J	50	-	76	111	R308	13.25	8	28.5	26.75	16.5	28.25	14.88	8.5	23.25	
	15	-	34	50		337	203	724	679	419	718	378	216	591	
VAC2920-28-29-10.5J	-	25	77	112	R2308	13.25	8	28.5	26.75	16.75	28.25	14.88	8.5	23.25	
	-	8	35	51		337	203	724	679	425	718	378	216	591	
VAC2922-28-29-10.5J	-	35	79	113	R2310	15.25	10	28.5	26.75	18.75	28.25	14.88	10.5	23.25	
	-	11	36	51		387	254	724	679	476	718	378	267	591	
VAC2920-33-34-10.5J	-	50	92	127	R2308	13.25	8	33	31.75	16.75	33.63	17.75	8.5	27.75	
	-	15	42	58		337	203	838	806	425	854	451	216	705	



### Available Roller Positions



### Notes: A hose stop is necessary to keep spring from unwinding.

- Specifications subject to change.
- Reel models and capacities shown are for standard drag applications; for vertical lift applications, consult factory.
- Be sure to check dimensions and weights prior to ordering.

\*\*\* X, Y indicate mounting holes.