

Series DEF

Hannay Reels family of Diesel Exhaust Fluid (DEF) hose reels are built to help meet diesel emissions regulations for the transportation industry. These reels feature a 304-grade stainless steel fluid path in various sizes to handle the corrosive urea-based solution safely and efficiently.

Manual or power rewind reels, available for longer lengths up to 2" ID hose, are listed below. Spring rewind retractable reels, available for shorter lengths up to 1" ID hose, are listed on the reverse side.

To handle longer lengths of single 1/2" through 2" I.D. hose.

- Heavy-duty reels designed for longer lengths.
- Choose gear-driven crank rewind or chain and sprocket drive powered by an electric, hydraulic, or compressed air motor.
- Friction brake standard on all reels.
- Standard inlet: 90° 304 SST swivel with EPDM seals (available in 1/2" through 2" FNPT).
- Standard outlet: 304 SST fluid path (available in 1/2" through 2" FNPT).
- Standard pressures to 1000 psi (69 bar).
- Standard fluid temperatures from -65° F to +300 °F (-54° C to +149° C).
- Consult factory for other pressures and temperatures.
- Optional 4-way rollers and chain guard.
- **NOTE:** Must prefix model with DEF- when ordering.



DEF-6000 Series

Standard configuration shown with Electric Rewind
Handles 1/2", 3/4" or 1" ID Hose

PLEASE CONSULT FACTORY FOR MANUAL OR POWER REWIND DEF REELS FOR LONGER LENGTH HOSE:

Contact Hannay Reels Inside Sales Department at: 877-467-3357 or email reels@hannay.com for more information on options available. Be sure to provide detailed specifications on hose type, ID/OD, length, rewind preference and any other important specifications when ordering.

Series DEF

To handle 1/2", 3/4" or 1" I.D. hose.

- Narrow frame and compact mounting base.
- Non-sparking ratchet assembly.
- Declutching arbor to prevent damage from reverse winding.
- Standard inlet: 90° 304 stainless steel swivel with EPDM seals (available in 1/2", 3/4" or 1" FNPT).
- Standard outlet: 304 stainless steel fluid path (available in 1/2", 3/4" or 1" FNPT).
- Standard pressures to 2000 psi (138 bar).
- Standard fluid temperatures from -65° F to +300 °F (-54° C to +149° C). Optional temperature ratings available - consult factory.
- 4-way roller assembly.
- Constant tension is available – consult factory.



Optional TR configuration shown

PARTS DRAWING – ISO 246 (1/2" HOSE), ISO 247 (3/4" HOSE), ISO 248 (1" HOSE)

Model Number (see notes)	Hose Capacity of Reel shown in feet/meter				Approx. Weight shown in lb/kg			Standard Roller Assy.	Reel Dimensions*** shown in inches/millimeter							
	I.D. in. mm	1/2 13 mm	3/4 19 mm	1 25 mm	NET	UPS/ FedEx SHIP Wt.	Freight SHIP Wt.		A	B	C	E	F	G	H	X
DEF-N716-14-16-8C	25	-	-	-	52	64	87	N204	10	4	8	18.12	13	16.12	9.12	8
	8	-	-	-	24	29	39		254	102	203	460	330	409	232	203
DEF-N716-19-20-10.5J	50	25	-	-	64	82*	99	N206	10	4	10.5	20.75	13	20	10.62	8
	15	8	-	-	29	37	45		254	102	267	527	330	508	270	203
DEF-N716-25-26-15.5B	75	-	-	-	90	-	125	N204	10	4	15.5	25.5	13	26	13.62	8
	23	-	-	-	41	-	57		254	102	394	648	330	660	346	203
DEF-N716-23-24-10.5J	-	50	-	-	79	92*	114	N204	10	4	10.5	24	13	24	12.62	8
	-	15	-	-	36	42	52		254	102	267	610	22.75	610	321	203
DEF-N718-25-26-15.5B	-	75	-	-	96	-	131	N206	12	6	15.5	25.5	15	26	13.62	10
	-	23	-	-	44	-	59		305	152	394	648	381	660	346	254
DEF-N816-23-24-10.5J	-	-	25	-	87	-	122	N204	10	4	10.5	24	14.125	24	12.62	8
	-	-	8	-	39	-	55		254	102	267	610	359	610	321	203
DEF-N818-25-26-10.5B	-	-	50	-	102	-	137	N206	12	6	10.5	25.5	16.125	26	13.62	10
	-	-	15	-	46	-	62		305	152	267	648	410	660	346	254

Notes:

A hose stop is necessary to keep spring from unwinding.

1. Specifications subject to change.
2. Reel models and capacities shown are for standard drag applications; for vertical lift applications, consult factory.
3. Other sizes, from standard components, available on request.
4. Be sure to check dimensions and weights prior to ordering.

NOTICE: A flexible connector must be used between the inlet pipe and the inlet swivel joint.

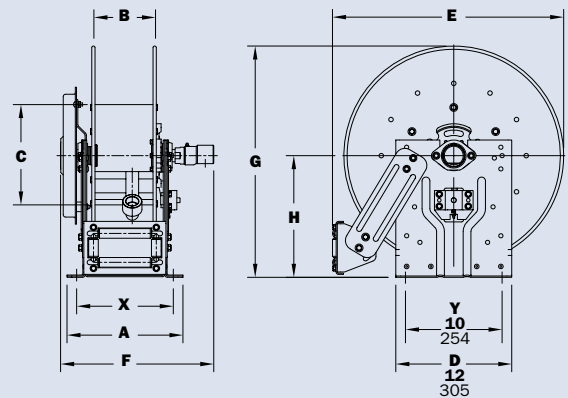
*Dimensional weight may apply when shipped as a parcel package (via FedEx or UPS Ground).

*** X, Y indicate mounting holes.

Original model numbers have been updated.

Please use crossover model numbers when ordering:
 DEF-425 - use DEF-N716-14-16-8C
 DEF-450 - use DEF-N716-19-20-10.5J
 DEF-475 - use DEF-N716-25-26-15.5B
 DEF-625 - use DEF-N716-19-20-10.5J**
 DEF-650 - use DEF-N716-23-24-10.5J**
 DEF-675 - use DEF-N718-25-26-15.5B**
 DEF-825 - use DEF-N816-23-24-10.5J
 DEF-850 - use DEF-N818-25-26-10.5B

**Reel models for 3/4" ID hose will be supplied with 3/4" SST inlet adapter only.



Available Roller Positions



SR (STD)



VR (OPT)



TR (OPT)



TR (Wallmount)

