

# IMPORTANT INSTRUCTIONS

## INSTALLING HOSE OR CABLE ON A HANNAY SPRING RETRACTABLE REEL

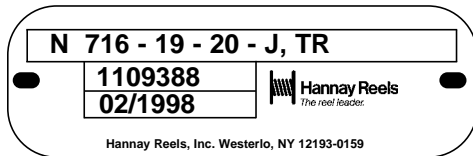
Note: Instructions must be followed or warranty is void.

### 1) CHECK SPRING TYPE

The spring type is indicated by the first letter at the end of the model number on the metal nameplate. It is also stamped on the mounting ear of the spring housing on most models. The maximum number of usable turns for which each spring is designed, is shown at right (listed in descending order of pull force ability):

| Spring Type      | Usable Turns |
|------------------|--------------|
| "SA"             | 17           |
| "A"              | 23           |
| "K"              | 13           |
| "B"              | 18           |
| "D"              | 30           |
| "G"              | 25           |
| "J"              | 17           |
| "C"              | 14           |
| "F"              | 32           |
| "SCR" and "SGCR" | 26           |
| "LC"             | 18           |
| "L"              | 17           |
| "B5" (HGR-100)   | 42           |
| "B6" (HGR-50)    | 30           |

Note - if model # begins with "R" you must consult factory to determine spring type.



### 2) ATTACH HOSE OR CABLE

Be sure spring tension is relaxed before starting.

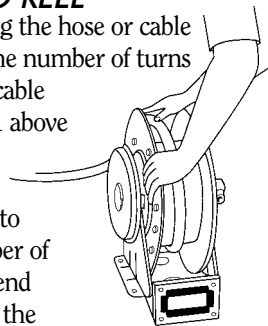
**HOSE:** attach hose fitting to the reel outlet. (If you have a 1-1/2" spring reel, also known as the 900 series, the outlet riser can be temporarily removed to aid in attaching the hose).

**CABLE:** feed the cable through the drum and hub with the aid of the pull wire supplied. Then connect the cable to the collector ring pigtails. You will need to remove the collector cover to expose the collector rings if you have an SCR 700 series cable reel. Caution: always use a cable clamp connected to the drum in order to keep pressure off the wire connections.

### 3) WIND HOSE OR CABLE TO REEL

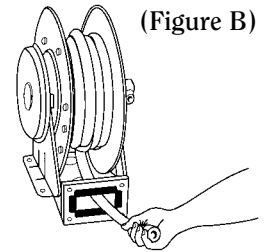
Carefully turn the discs by hand winding the hose or cable onto the reel, see fig. A. Keep track of the number of turns required to store the length of hose or cable being installed. Refer to chart in step #1 above and note the number of turns available for the spring as supplied on the reel.

Subtract the number of turns required to install the hose or cable from the number of turns available. With the hose or cable end retained on the spool, turn the spool in the



(Figure A)

unwind direction this number of turns. Then pass the hose or cable thru the roller assembly and install the ball stop, see fig.B.



(Figure B)

### 4) REDUCE TENSION

If the spring tension is greater than that required to adequately retract the hose, you can decrease this tension.

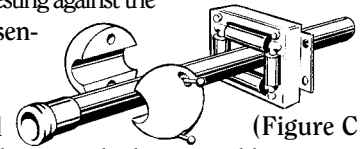
Just let the end of the hose (after it is completely rewound on the reel) pass back through the roller assembly and carefully allow the reel to unwind by another revolution (or possibly more) until the proper tension is reached. Relock the reel and pass the end of the hose back through the rollers.

### 5) ATTACH BALL STOP TO HOSE OR CABLE

Draw the hose or cable through the rollers to the point where the ball stop should be attached. NOTE: After ball stop is positioned, make sure that when the stop is resting against the rollers the brass pawl is disengaged from the ratchet wheel.

Now take the two halves of the ball stop and join them together over the hose or cable.

Fasten ball stop with provided fasteners. (Figure C.)



(Figure C)

### 6) MAKE FINAL CONNECTIONS

You should now be ready to make your hose or cable connection to the inlet swivel joint or junction box on the side of the reel. **NOTICE: A flexible connector must be used between the inlet pipe and the inlet swivel joint on the reel or the warranty will be void.**

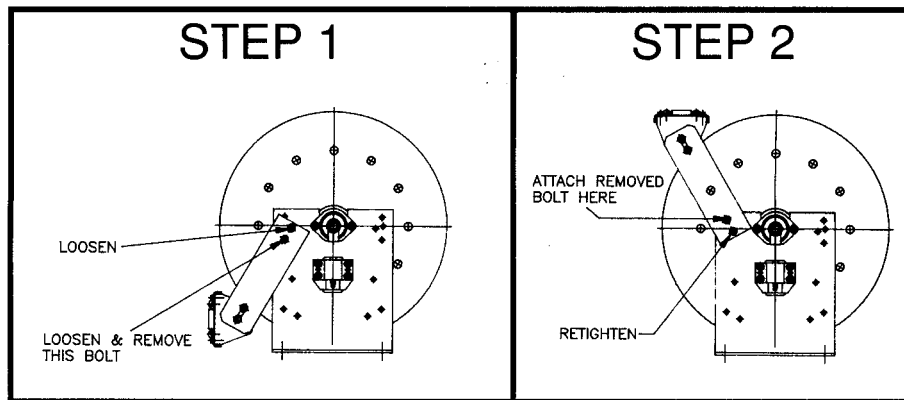
**CAUTION:** Hose or cable end must be walked back to reel on all spring reels when rewinding. If allowed to rewind unattended, personal injury or damage to reel could occur.

## CHANGING THE ROLLER ARM POSITION ON "N" SERIES SPRING REELS

### From "SR" position to "VR" position (and vice versa):

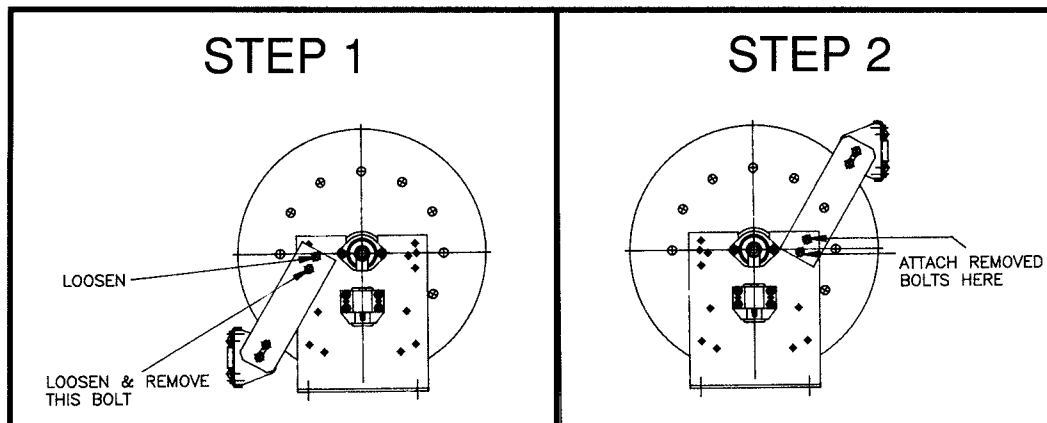
All "N" series reels that have the suffix "SR" or "VR" and have a serial tag date of 4-94 or later are interchangeable between those two roller positions. For safety reasons, **NEVER** work on a spring reel unless the tension is first removed from the spring (i.e., fully retract the hose or cable onto the reel before starting).

1. As shown in the diagram below loosen both bolts and remove the one indicated with a 9/16" wrench and swing the arm up into the VR position.
2. Retighten both bolts in the new position.
3. If you have a spring reel with a DOUBLE roller arm (which became standard in 1999 on all reels), you will have to repeat steps 1 & 2 above on the 2nd roller arm. However, this requires first removing the spring motor itself. A separate sheet is available for help with this additional task. (see form HTD-9808 Rev.2)



### From "SR" (or "VR") position to "TR" position (and vice versa):

1. Loosen and remove the two bolts with a 9/16" wrench as shown in the diagram below and move the arm to the TR position, which is on the opposite side of the frame as shown in the diagram.
2. Retighten both bolts in the new position.
3. If you have a spring reel with a DOUBLE roller arm (which became standard in 1999 on all reels), you will have to repeat steps 1 & 2 above on the 2nd roller arm. However, this requires first removing the spring motor itself. A separate sheet is available for help with this additional task. (see form HTD-9808 Rev.2)



553 State Route 143, Westerlo, NY 12193, USA  
Phone: (518)797-3791; Toll Free 1-877-GO-REELS (467-3357)  
FAX: (800) REELING (733-5464); Int'l. FAX: (518)797-3259  
Website: [www.hannay.com](http://www.hannay.com)  
E-mail: [reels@hannay.com](mailto:reels@hannay.com)