

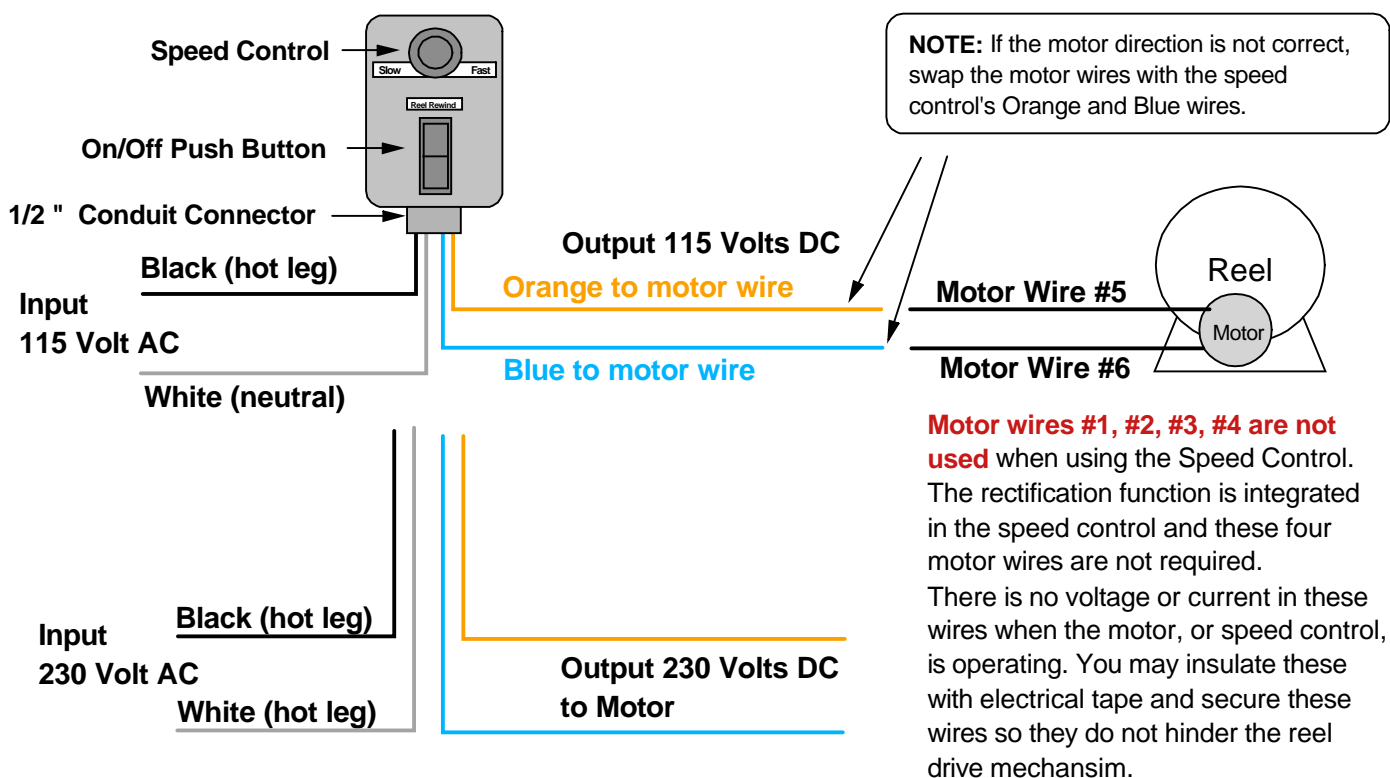
# MD115S Speed Control Install Instructions Revised: 6/22/09

## Application:

The **MD115S** is a Motor Speed Control and is specifically designed for the 115 Volt or the 230 Volt Universal Motors (Rectified DC Motors) with a Motor Tag Current Rating of no larger than 10 Amps. The MD115S contains an internal rectifier, therefore the internal motor rectifier wires are not used. See wiring instructions.

**Mounting:** Four screw holes in the flanges.

## Wiring Instructions



**Circuit Protection** - The installer must provide the 12 AWG, 2 conductor feed line and it must be on its own circuit, protected by a 15 Amp circuit breaker in the electrical service panel. Do not use a ground fault breaker for the motor controller circuit protection.

## Warranty:

The MD115S is warranted by the manufacturer to be defect free from faulty materials or workmanship. If any defect is found within the 1 Year Warranty period, the control must be shipped to Qualitech for analysis and repair, without charge for materials and labor. If it is determined that the control was not wired per these wiring instructions, or taken apart, a repair quote will be provided. After the 1 Year Warranty, the customer may send the unit in for a repair quote.