

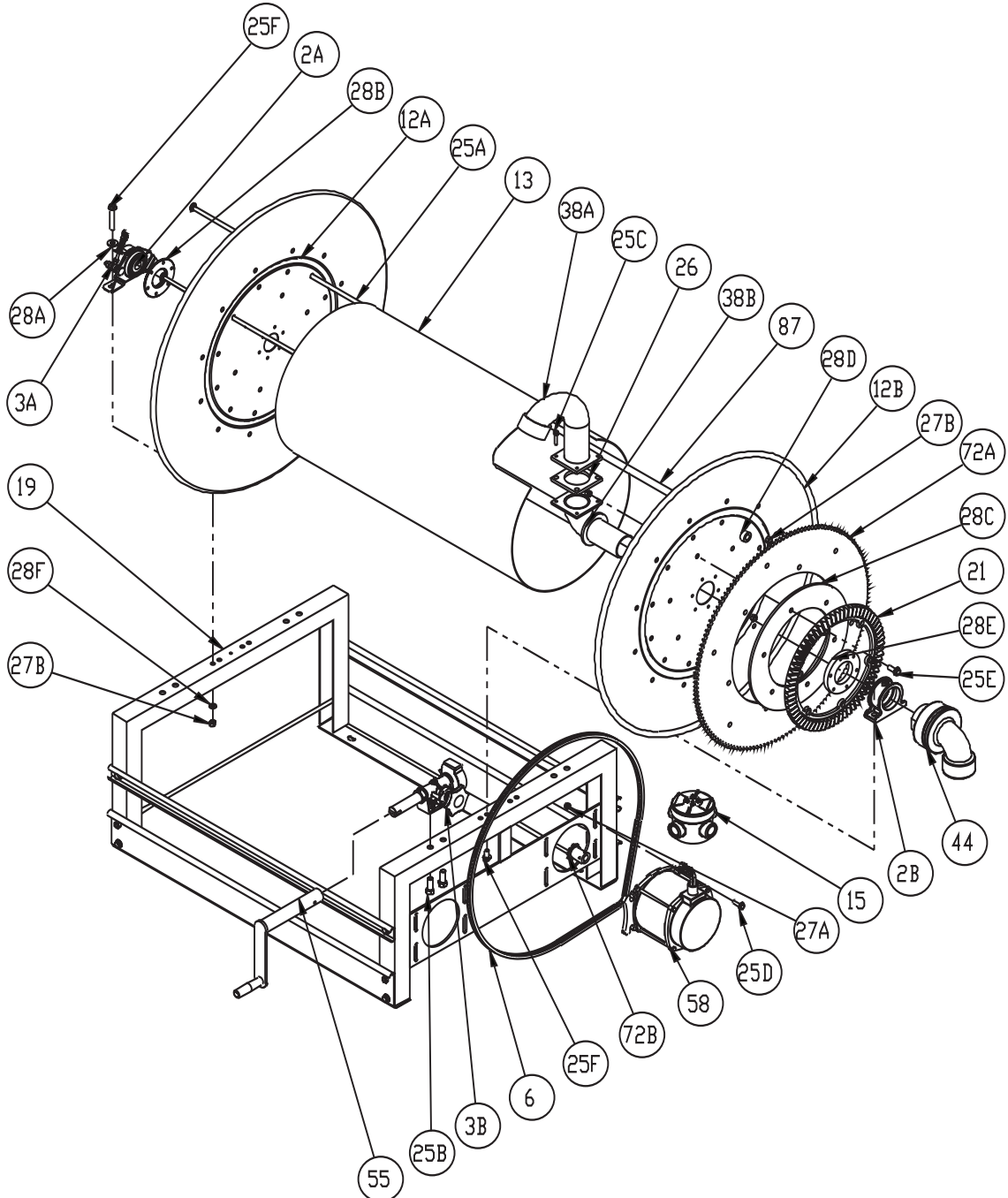


Hannay Reels®

The reel leader.

Hannay Reels, Inc., 553 State Route 143
Westerlo, NY 12193
Telephone 518-797-3791 • Toll Free 1-877-GO-REELS (467-3357)
FAX 1-800-REELING (733-5464)
INT'L FAX (518) 797-3259
Website: www.hannay.com
E-mail: reels@hannay.com

ISO 35 PARTS LIST 2" HOSE REELS With Ball Bearing Swivel Joint



PARTS LIST
ISO-35
2" HOSE REELS

When ordering parts
BE SURE TO SPECIFY COMPLETE MODEL NUMBER and SERIAL NUMBER OF REEL.
USE PART NUMBER!

<u>Drawing No.</u>	<u>Description</u>	<u>PART NUMBER</u>	<u>Quantity</u>
2A	1" Self-Aligning Bearing Complete, per A03A-00050	9902.1400	1
2B	H-42B Front Bearing, per P02A-00200	9902.2300	1
3A	Comet Brake Assembly, per A03A-00060	9947.0090	1
3B	Complete Manual Rewind Assy. w/H-29 Pinion Gear, per A03A-00040	9914.0210	1
6	Chain, #35	Specify Model	1
12A	Back Disc, per P12A-00290	Specify Model	1
12B	Front Disc, per P12A-00300	Specify Model	1
13	Drum, 15-1/2" Diameter (Specify Model)	9905.3171	1
15	Junction Box Complete	9917.0060	1
19	Frame Assembly	Specify Model	1
21	H-28 Ring Gear	9914.0382	1
25A	3/8" Carriage Bolts (with nuts).....	Specify Model	11
25B	1/2" x 1-1/4" Hex Head Bolt (for rewind assy.)	9904.1403	2
25C	1/4" x 1-1/2" Hex Head Bolt (for riser assy.)	9904.1004	4
25D	5/16" x 1" Spinlock Motor Mounting Bolt.....	9904.2102	4
25E	3/8" x 1" Spinlock Bolt	9904.2202	6
25F	3/8" x 3/4" Spinlock Bolt	9904.2201	4
26	2" Gasket, H-200G	9965.0022	1
27A	5/16" Spinlock Nut	9904.6100	4
27B	3/8" Jam Nut	9965.0012	8
28A	3/8" Flat Washer	9954.0007	2
28B	Back Washer, EH-936, per P28A-00370.....	9965.0015	1
28C	Ring Gear Backing Plate, per P28A-00030.....	9914.0582	1
28D	1" OD x 9/16" ID x 5/16" thick Sprocket Spacer	9954.0016	6
28E	H-142A Front Washer, per P28A-00490	9965.0043	1
28F	3/8" Lock Washer	9954.0030	2
29	Woodruff Key for Motor (not shown)	9916.0080	1
38A	2" Iron Pipe Riser w/2" FNPT Threads, per P37A-00100	9901.5760	1
38B	2" Flanged Iron Pipe Hub Only (Specify Model), per P37A-00170.....	9901.5640	1
44	2" 90° FxF Swivel Joint WHJ2290, per P44A-00010	9931.4521	1
55	H-18 Crank & Handle (standard 10" length), per A55A-00060	9914.0011	1
58	12 Volt DC Exp. Proof Motor (1/2 HP, 650 RPM)	9915.0003	1
72A	Disc Sprocket	Specify Model	1
72B	11T35 Motor Sprocket (lengths from 3/4" up to 1-3/4"), per P72A-00070	Specify Length	1
87	3/8" Spacer Pipe, Specify Model, per P87A-00010	9904.3200	11